

HC2 miniBOOSTER



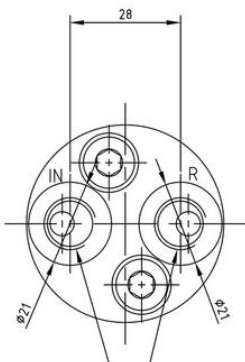
HC2: 13
 P_{IN} : 20 – 200 ()
 P_H : 800 ()
 P_{RETURN} ()
 $P_H = (P_{IN} - P_{Return}) i$ ()
A =
B =
G =

HC2

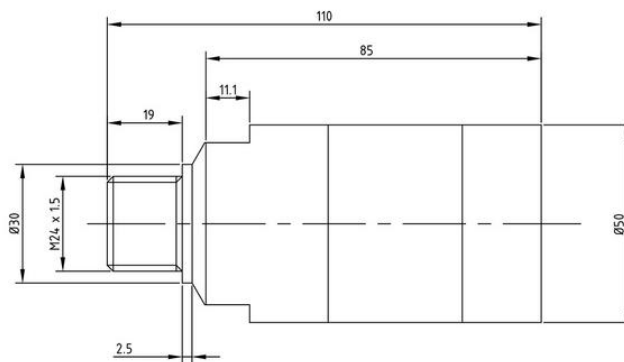
1,0

HC2

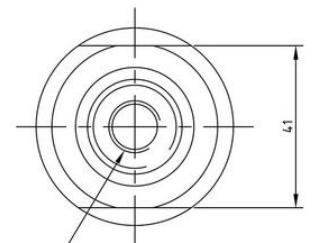
i	/	/
1,2	1,2	8,0
1,5	1,0	8,0
2,0	2,0	12,0
2,2	2,1	12,0
2,5	2,2	13,0
2,8	2,2	13,0
3,2	2,5	15,0
4,0	2,0	14,0
5,0	1,6	14,0
6,6	1,3	13,0
9,0	0,9	13,0
13,0	0,6	12,0
20,0	0,3	12,0



Supply Connections: IN, R

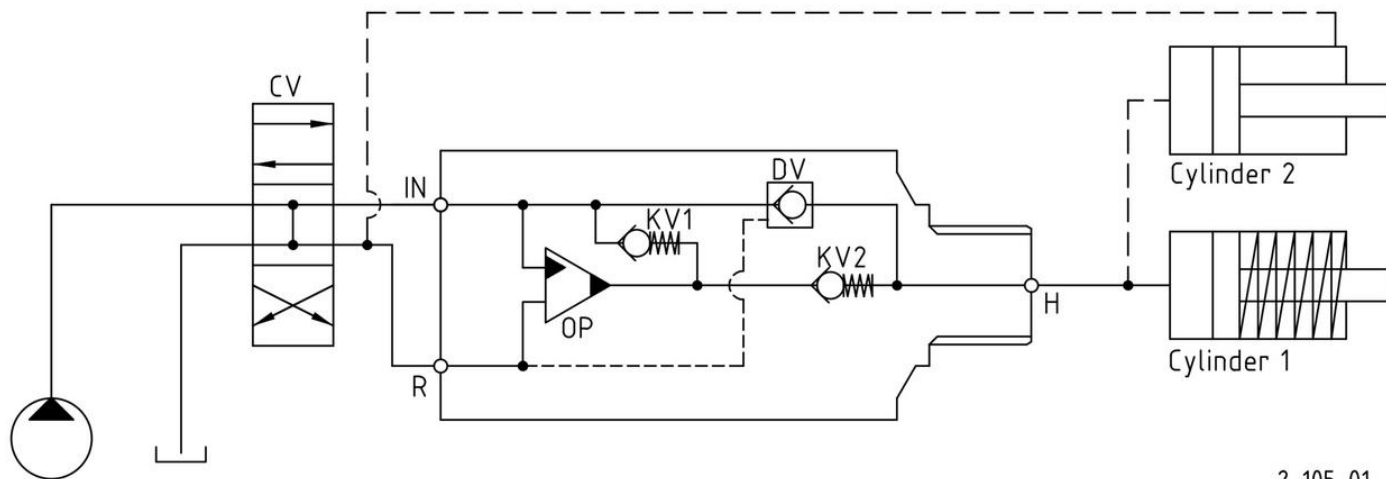


High Pressure Connection: H



2-120-02

IN, KV1, KV2 DV H. CV
 OP. H, KV1, KV2 DV
 H. OP.



2-105-01

	IN/ R	H
1	1/4" BSPP	1/4" BSPP
2	7/16-20 UNF	9/16-18 UNF

BSPP

	IN / R	H
	1/4" BSPP	1/4" BSPP
	4,0 10/	4,0 10/
	3,0 10/	-
	4,0 10/	4,0 10/

TTNF

	IN / R	H
	7/16-20" UNF	9/16-18" UNF
	2,0 10/	3,5 10/

HC2

HC2 DV i = 4,0, BSPP: HC2 - 4,0 - B - 1

	<i>i</i>		
HC2
		A = () / A	1
		B = () / B	2
		G = () / G	