

# HC4 miniBOOSTER



HC4: 10

$P_{IN}$ : 20 - 200 ( )

$P_H$ : 800 ( )

$P_{RETURN}$  ( ) ; ( )

$$: P_H = (P_{IN} - P_{RETURN}) i ( )$$

:

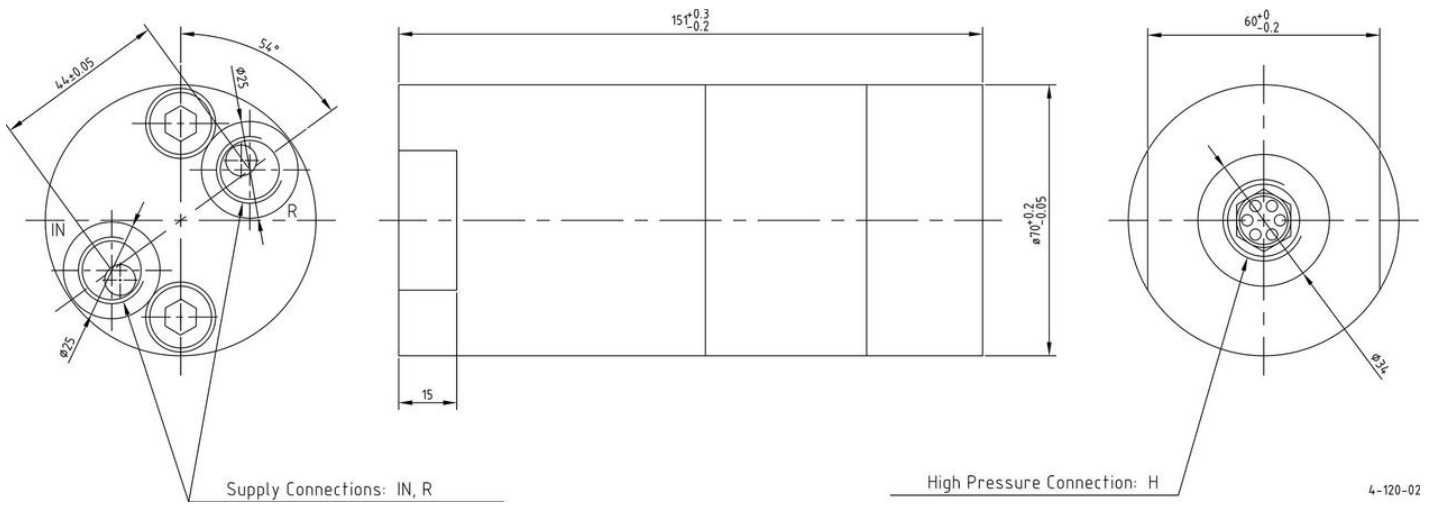
:

A =  
B =  
G =

## HC4 miniBOOSTER

HC4 7,0 / . HC2, 3,7 , . HC4

i	/	/
1,3	1,5	25,0
1,5	1,4	25,0
1,8	1,2	25,0
2,1	7,0	35,0
2,8	6,0	35,0
3,2	5,0	35,0
4,3	4,0	35,0
5,1	3,5	35,0
6,3	2,5	35,0
9,8	2,0	35,0



IN,

KV1, KV2 DV

H.

CV

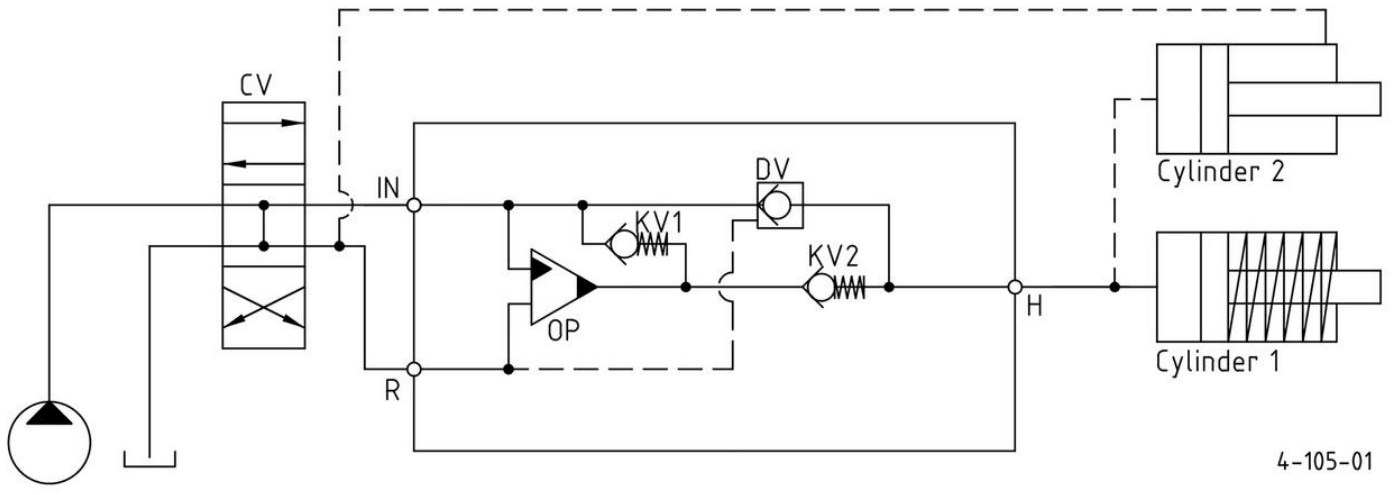
OP.

H,

KV1, KV2 DV

H.

OP.



4-105-01

	IN / R	H
1	3/8" BSPP	1/2" BSPP
2	9/16-18 UNF	3/4-16 UNF

**BSPP**

	IN / R	H
	3/8" BSPP	1/2" BSPP
	6,0 10/	13,0 10/
	4,0 10/	-
	6,0 10/	13,0 10/

**TTNF**

	IN / R	H
	9/16-18" UNF	3/4-16" UNF
	3,5 10/	6,0 10/

**HC4**

HC4	i = 4,3,	DV	BSPP: HC4 - 4,3 - B - 1
	, i		
HC4	...	...	...
		A = ( ) / A	1
		B = ( ) / B	2
		G = ( ) / G	

