

HC8 miniBOOSTER



HC8: 5

P_{IN} : 20 - 200 ()

P_H : 2 000 ()

P_{RETURN} () ; ()

$$: P_H = (P_{IN} - P_{RETURN}) i ()$$

:

:

/

A =

B =

G =

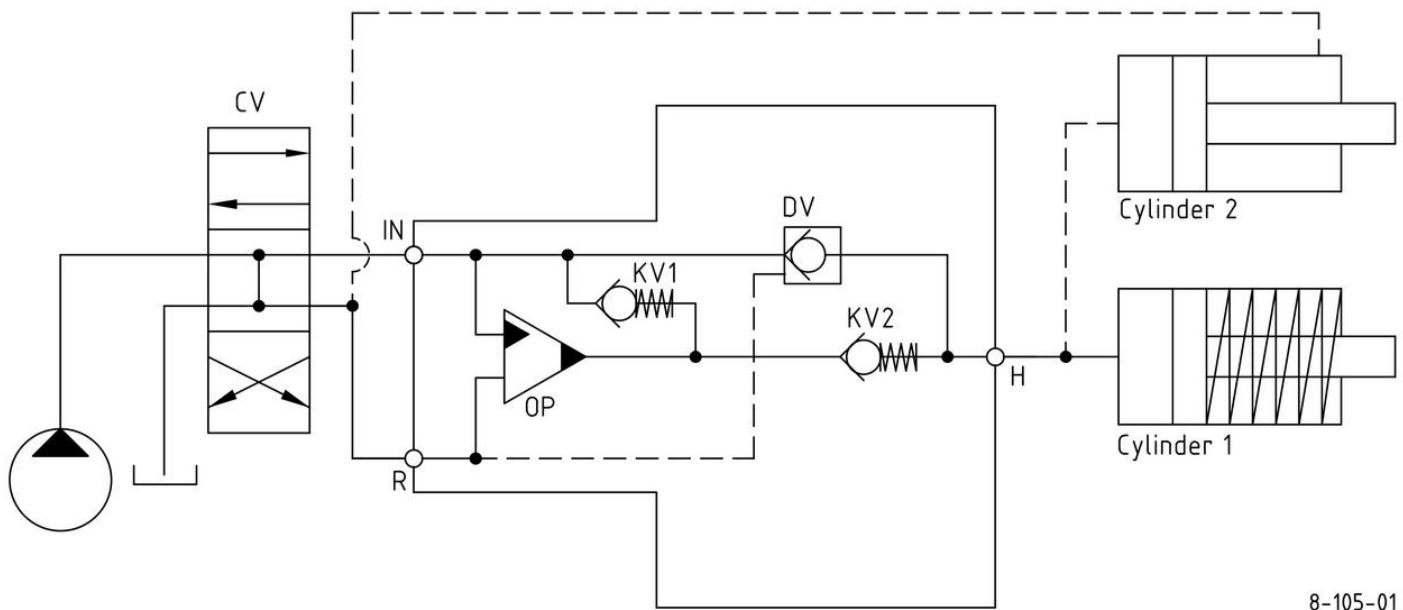
HC8 , HC8 20 200 , HC8 2000 , HC8 20:1 HC2, HC8 , HC8 , HC8

i	$/$	$/$
5,0	1,6	14,0
6,6	1,3	13,0
9,0	0,9	13,0
13,0	0,6	12,0
20,0	0,3	12,0

IN, KV1, KV2 DV H. CV
 H. OP. H, KV1, KV2 DV
 OP.

Function diagram

 HC8 Function diagram 8-105-01



8-105-01

Dimensions

 Dimension drawing 8-120-15

	IN / R
1	1/4" BSPP
2	7/16-20 UNF

BSPP

	IN / R
	1/4" BSPP
	4,0 10/
	3,0 10/
	4,0 10/

TTNF

	IN / R
	7/16-18" UNF
	2,0 10/

High Pressure Plate

High- pressure plate ordering code and specifications can be seen from the table in the PDF- file below:



High Pressure Plate connection possibilities: 8-900-12

HC8

HC8

i = 13,0,

DV

BSPP: HC8 - 13,0 - B - 1

	<i>i</i>		
HC8
		A = () / A	1
		B = () / B	2
		G = () / G	