



206 SERIES SRK

DIN 2353



DIN2353 and other threads available upon request.
AISI 316 available but only for minimum quantities.

• Materials

Carbon Steel *EN -10277-3 / AISI 316L*

O-ring: **NBR, Viton or EPDM**

Back-up-ring: **PTFE**

Springs: *Carbon Steel DIN 17233/84(B)*

• **Applications:** Designed for Oil hydraulic Applications
Hammer Application

• **Equivalence:** Voswinkel Serie RH
Argus Serie RK

• Working temperature (O-ring)

	NBR	Viton	EPDM
+	+100°C	+200°C	+150°C
-	-30°C	-10°C	-40°C

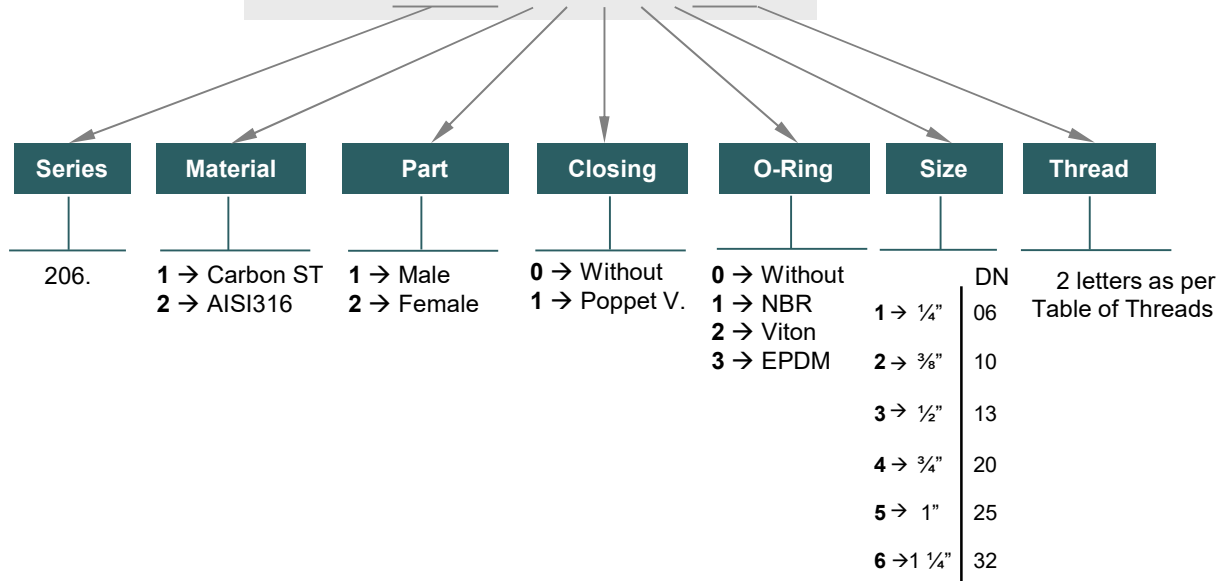
• **Sectors:** Industrial, Agricultural, Construction machinery.



MODEL STRUCTURE

Example:

206.12115 AF



206-1





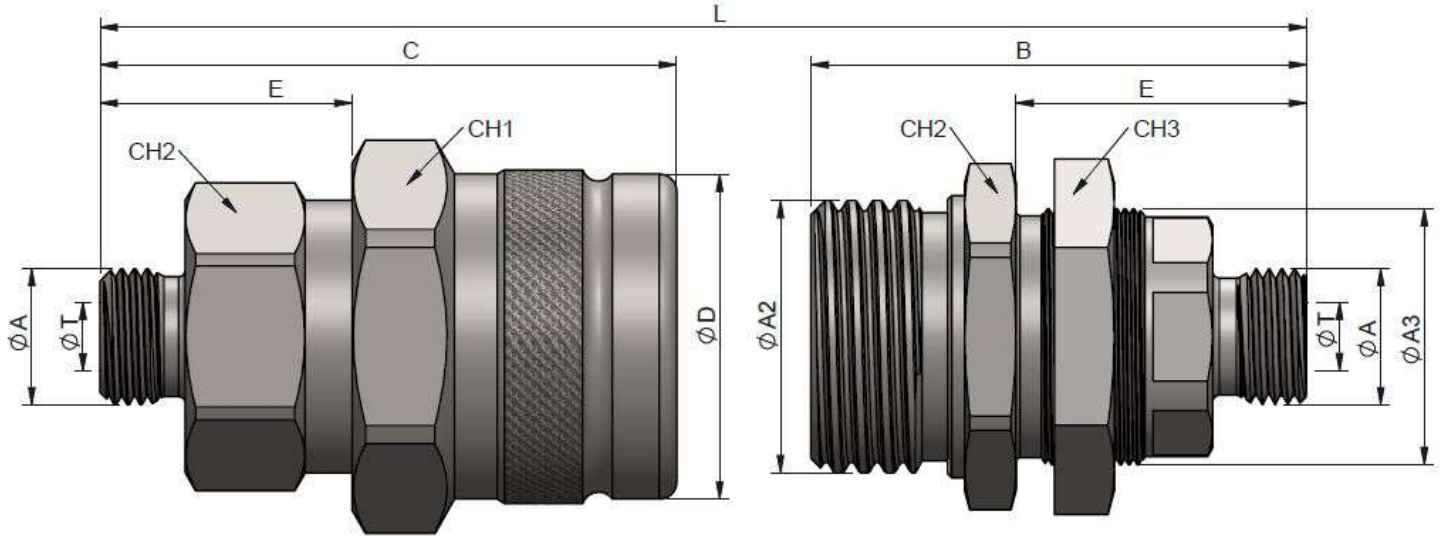
206 SERIES

SRK

DIN2353



DN10



STANDARD MALE MODELS

STANDARD FEMALE MODELS

DN	ØA	ØT	REF.		CH1	CH2	C	ØD	E	L	DN	ØA	ØT	REF.		ØA2	ØA3	CH2	CH3	E	B	L	
10	M14x1.5	8L	206.11112JC	400Bar	41	32	67.5	38	29.5	111.5	10	M14x1.5	8L	206.12112JC	400Bar	Rd	32x3	M30x1	36	36	34	58	111.5
	M16x1.5	10L	206.11112JD									M16x1.5	10L	206.12112JD									
	M18x1.5	12L	206.11112JE									M18x1.5	12L	206.12112JE									
	M18x1.5	10S	206.11112KE									M18x1.5	10S	206.12112KE									
	M20x1.5	12S	206.11112KF									M20x1.5	12S	206.12112KF									
	M22x1.5	15L	206.11112JG									M22x1.5	15L	206.12112JG									
	M22x1.5	14S	206.11112KG									M22x1.5	14S	206.12112KG									
	M24x1.5	16S	206.11112KH									M24x1.5	16S	206.12112KH									

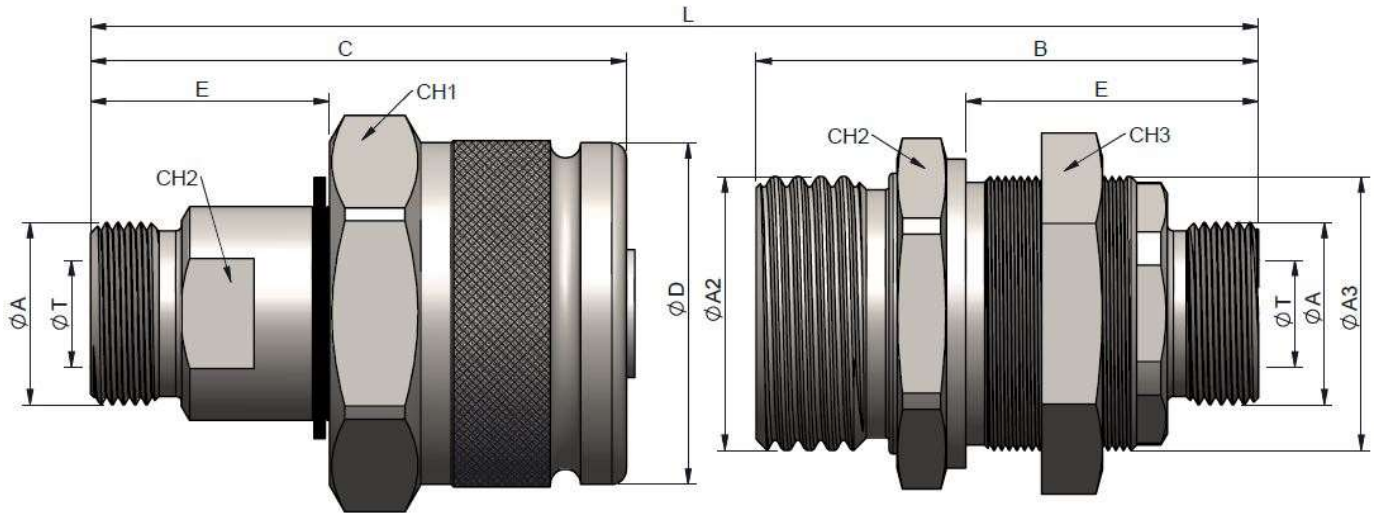


206 SERIES SRK

DIN2353



DN13



STANDARD MALE MODELS

STANDARD FEMALE MODELS

DN	ØA	ØT	REF.		CH1	CH2	C	ØD	E	L	DN	ØA	ØT	REF.		ØA2	ØA3	CH2	CH3	E	B	L
13	M18x1.5	12L	206.11113JE	300Bar	46	41	70.4	44.8	31.4	127.5	13	M18x1.5	12L	206.12113JE	300Bar	Rd 36x3	M36x1	41	41	38.5	66	127.5
	M22x1.5	15L	206.11113JG									M22x1.5	15L	206.12113JG								
	M22x1.5	14S	206.11113KG									M22x1.5	14S	206.12113KG								
	M24x1.5	16S	206.11113KH									M24x1.5	16S	206.12113KH								
	M26x1.5	18L	206.11113JI									M26x1.5	18L	206.12113JI								

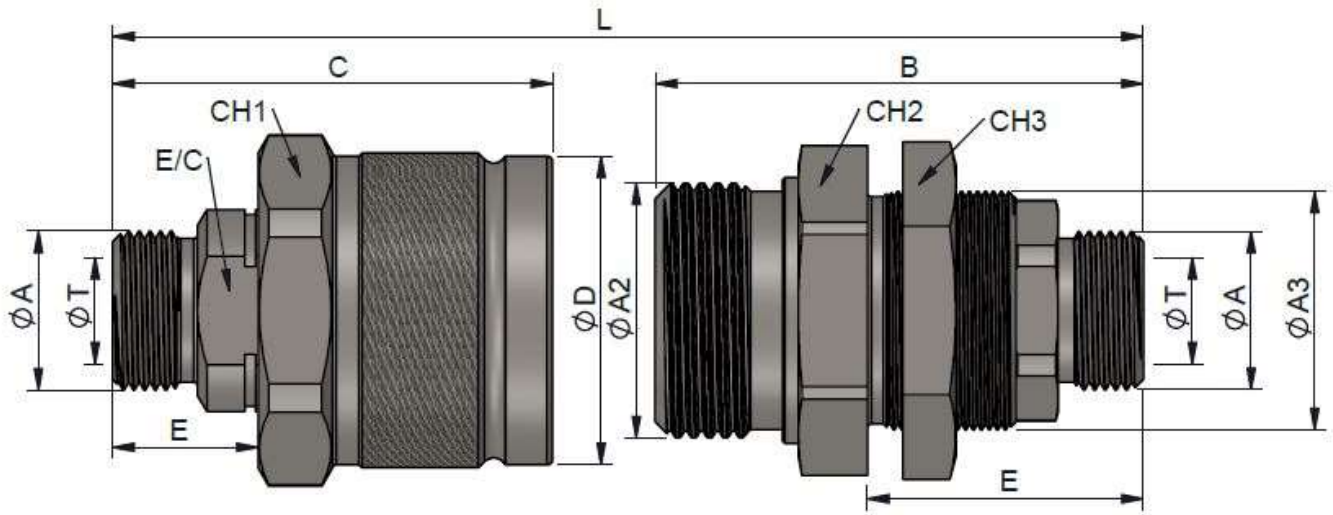


206 SERIES SRK

DIN2353



DN20



STANDARD MALE MODELS

STANDARD FEMALE MODELS

DN	ØA	ØT	REF.		CH1	E/C	C	ØD	E	L	DN	ØA	ØT	REF.		ØA2	ØA3	CH2	CH3	E	B	L
20	M26x1.5	18L	206.11114JI	320Bar	60	32	82.9	58	27.4	140	20	M26x1.5	18L	206.12114JI	320Bar	Rd 48x3	M45x1.5	55	55	52	92	140
	M30x2	22L	206.11114JJ									M30x2	22L	206.12114JJ								
	M30x2	20S	206.11114KJ									M30x2	20S	206.12114KJ								
	M36x2	25S	206.11114KK									M36x2	25S	206.12114KK								

206-2

INTEVA reserves the right to make modifications in its products without prior notice.
Any external or internal alteration in our products will automatically void the warranty.



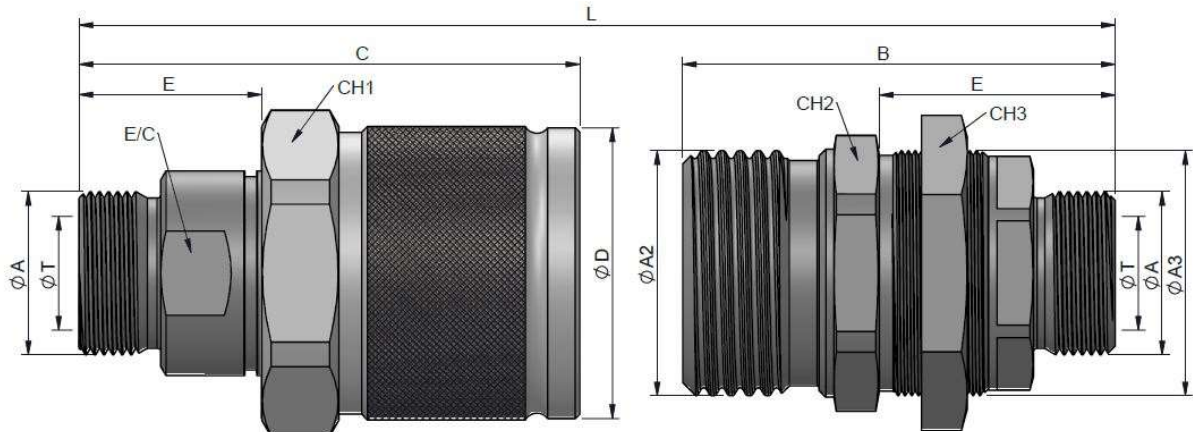


206 SERIES SRK

DIN2353



DN25

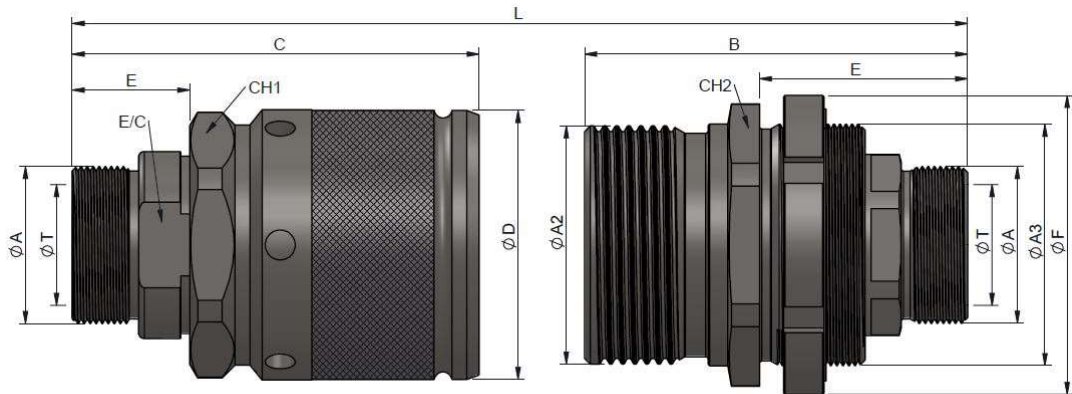


STANDARD MALE MODELS

STANDARD FEMALE MODELS

DN	ØA	ØT	REF.		CH1	E/C	C	ØD	E	L	DN	ØA	ØT	REF.		ØA2	ØA3	CH2	CH3	E	B	L		
25	M30x2	22L	206.11115JJ								300Bar	M30x2	22L	206.12115JJ										
	M30x2	20S	206.11115KJ									M30x2	20S	206.12115KJ										
	M36x2	28L	206.11115JK		65	41	110.2	63.9	40.2	184		M36x2	28L	206.12115JK		300Bar Rd 54x4	M54x1.5	55	60	51.9	95.2	184		
	M36x2	25S	206.11115KK									M36x2	25S	206.12115KK										
	M42x2	30S	206.11115KL									M42x2	30S	206.12115KL										

DN32



STANDARD MALE MODELS

STANDARD FEMALE MODELS

DN	ØA	ØT	REF.		CH1	E/C	C	ØD	E	L	DN	ØA	ØT	REF.		ØA2	ØA3	CH2	ØF	E	B	L	
32	M45x2	35L	206.11116JM								420Bar	M45x2	35L	206.12116JM									
	M52x2	38S	206.11116KN		80	55	135	89	39	223		M52x2	38S	206.12116KN		420Bar Rd 79x4	M80x2	85	100	69	127	223	



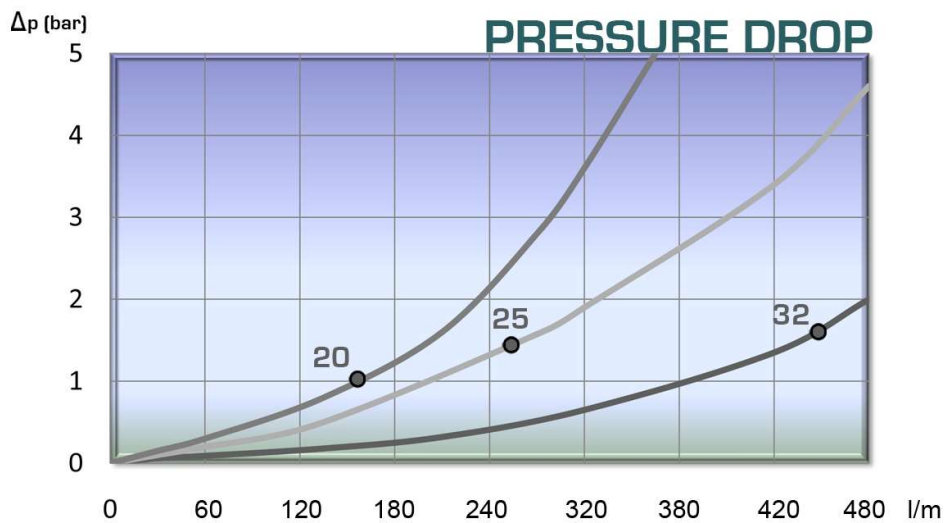
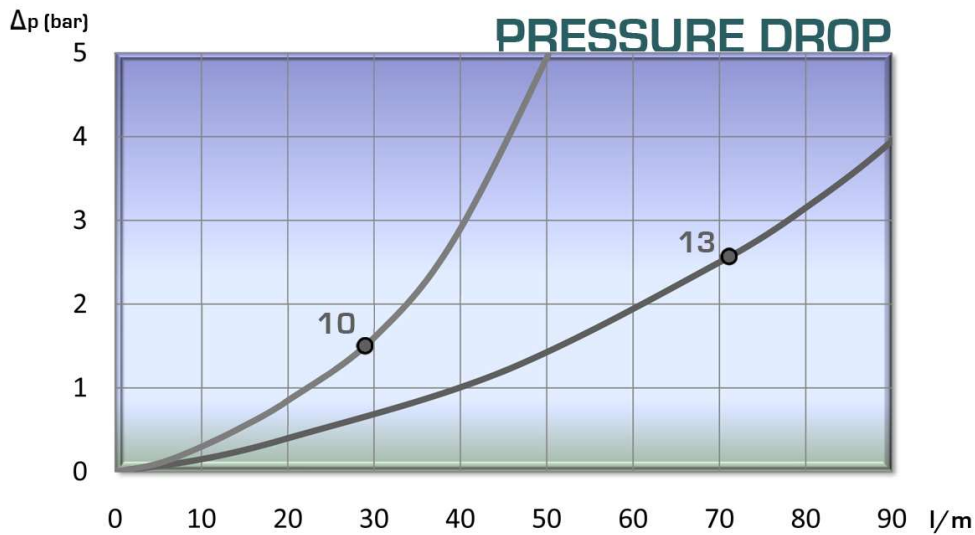
206 SERIES SRK

DIN2353



TECHNICAL DATA					
DN	Rated Flow	Min Burst Pressure (bar)			Max. Working Pressure
		Male	Female	Coupled	
10	29 l/m	1500	1580	1600	400 Bar
13	72 l/m	1200	1150	1200	300 Bar
20	135 l/m	1250	1300	1280	320 Bar
25	250 l/m	1200	1150	1200	300 Bar
32	430 l/m	1550	1600	1680	420 Bar

Test performed according to ISO 18869



206-7

INTEVA reserves the right to make modifications in its products without prior notice. Any external or internal alteration in our products will automatically void the warranty.





206 SERIES SRK

PLUGS
& CAPS

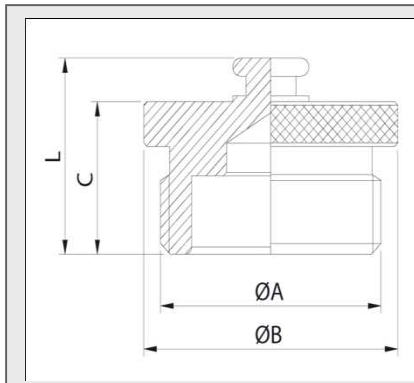
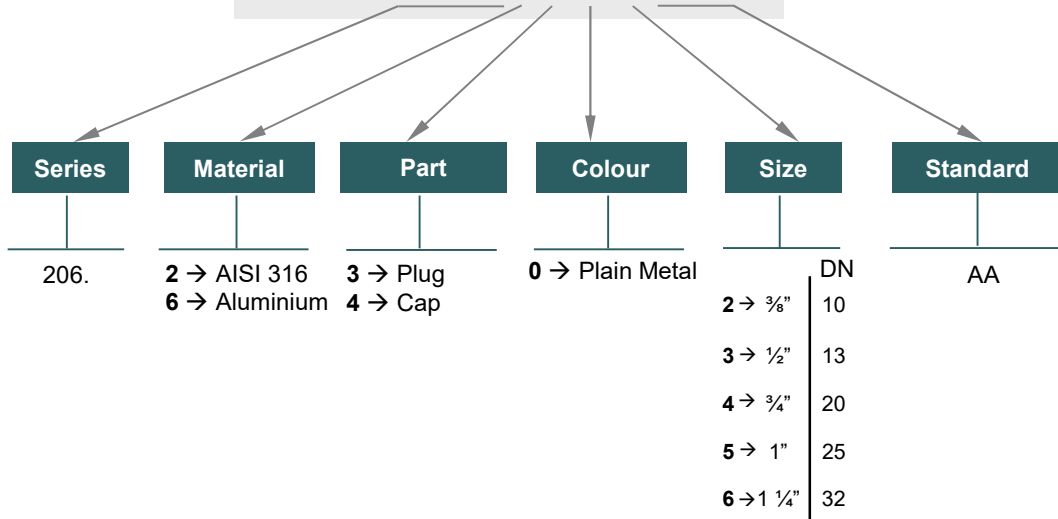


SRK SERIES PLUGS, CAPS and have been designed to protect FEMALE (coupler) or MALE (nipple) parts while they are disconnected.

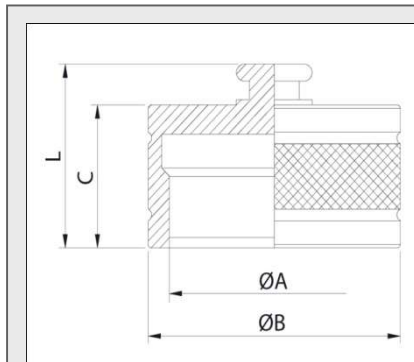
MODEL STRUCTURE

Example:

206.6403 AA



PLUG					
DN	REF.	ØA	ØB	C	L
10	206.6302AA	32x3	39	25	31
13	206.6303AA	36x3	44,5	25	31
20	206.6304AA	48x3	59	32	38
25	206.6305AA	54x4	64	39	45
32	206.6306AA	79x4	89,5	44	50



CAP					
DN	REF.	ØA	ØB	C	L
10	206.6402AA	32x3	39	26	32
13	206.6403AA	36x3	44,5	24	30
20	206.6404AA	48x3	59	34	40
25	206.6405AA	54x4	64	42	48
32	206.6406AA	79x4	89,5	74	80