



126 SERIES TPL



Big flow and reduced drop pressure.
Available only without valve, free flow

• Materials

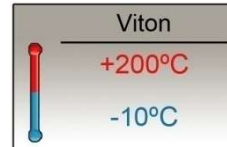
Carbon Steel EN -10277-3, AISI316, Brass DIN-EN 12164

O-ring: *Viton*

Balls: *As version*

Springs: *As version*

• Working temperature (O-ring)



• **Applications:** Designed for Oil and Hot Water.

• **Sectors:** High pressure cleaning systems

• Equivalence

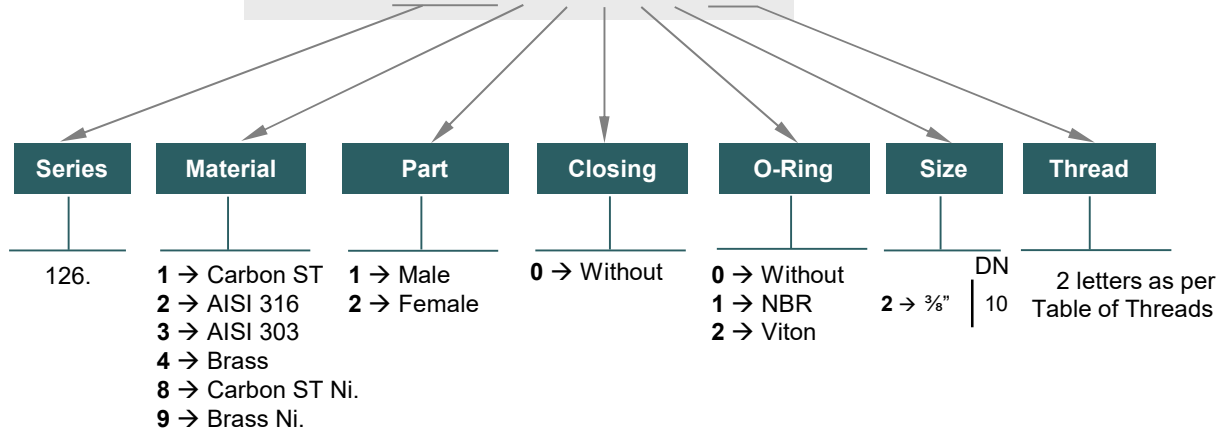
3/8" TEMA 3800
KEW



MODEL STRUCTURE

Example:

126.12022 AC



126-1

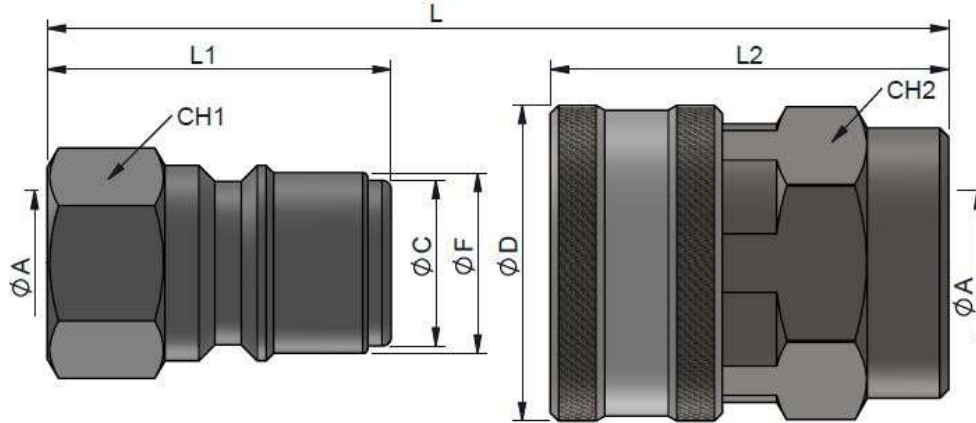




126 SERIES TPL



DN12



STANDARD MALE MODELS

DN	ØA	REF.	MATERIAL		CH1	L1	ØF	ØC	L
12	3/8" BSP	126.11002AC	White zinc plated steel	600Bar	22	38	19.90	18.25	58
	3/8" NPTF	126.11002BC	White zinc plated steel						
	3/8" BSP	126.81002AC	Nickel plated steel						
	3/8" NPTF	126.81002BC	Nickel plated steel						
	3/8" BSP	126.21002AC	AISI 316	350Bar					
	3/8" NPTF	126.21002BC	AISI 316						
	1/2" BSP	126.11002AD	White zinc plated steel	600 Bar					
	1/2" NPTF	126.11002BD	White zinc plated steel						

STANDARD FEMALE MODELS

DN	ØA	REF.	MATERIAL		CH2	L2	ØD	L
12	3/8" BSP	126.12012AC	White zinc plated steel	600Bar	30	44	34.8	58
	3/8" NPTF	126.12012BC						
	3/8" BSP	126.82012AC	Nickel plated steel	600Bar				
	3/8" NPTF	126.82012BC						
	3/8" BSP	126.42022AC	Brass - Viton	350Bar				
	3/8" NPTF	126.42022BC						
	3/8" BSP	126.92022AC	Nickel plated brass	350Bar				
	3/8" NPTF	126.92022BC						
	3/8" BSP	126.22022AC	AISI 316	500Bar				
	3/8" NPTF	126.22022BC						

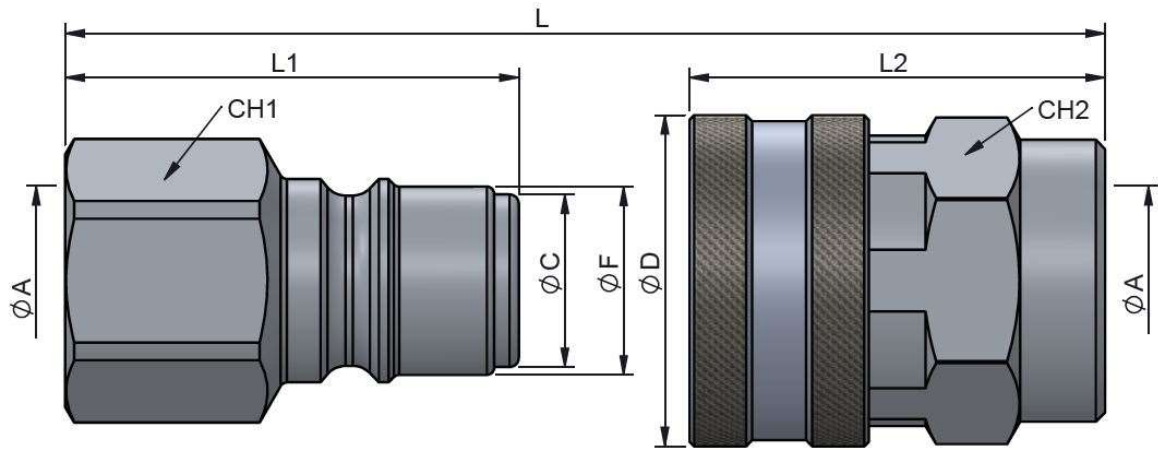
126-2



126 SERIES TPL



DN14



STANDARD MALE MODELS

DN	ØA	REF.	MATERIAL		CH1	L1	ØF	ØC	L
14	1/2" BSP	126.81002AD	Nickel plated steel	600Bar	27	48	19.90	18.25	68
	1/2" NPTF	126.81002BD	Nickel plated steel						
	1/2" BSP	126.21002AD	AISI 316	350Bar					
	1/2" NPTF	126.21002BD	AISI 316						

STANDARD FEMALE MODELS

DN	ØA	REF.	MATERIAL		CH2	L2	ØD	L
14	1/2" BSP	126.12012AD	White zinc plated steel	600Bar	30	44	35	68
	1/2" NPTF	126.12012BD						
	1/2" BSP	126.82012AD	Nickel plated steel	600Bar				
	1/2" NPTF	126.82012BD						
	1/2" BSP	126.42022AD	Brass – Viton	350Bar				
	1/2" NPTF	126.42022BD						
	1/2" BSP	126.92022AD	Nickel plated brass	350Bar				
	1/2" NPTF	126.92022BD						
	1/2" BSP	126.22022AD	AISI 316	500Bar				
	1/2" NPTF	126.22022BD						

126-3



126 SERIES TPL

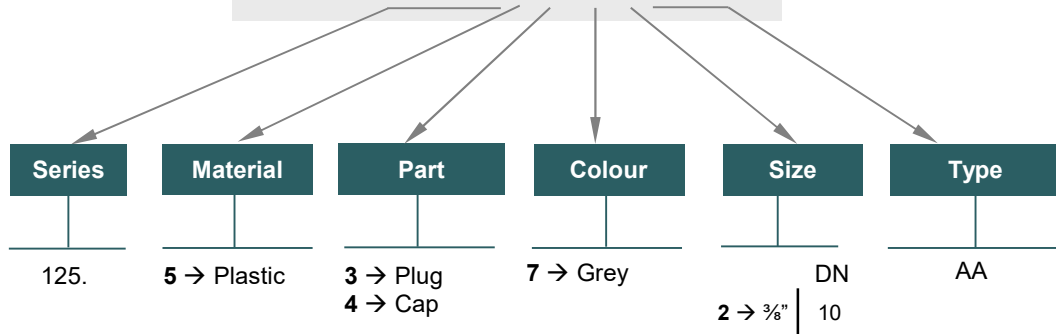
PLUGS
& CAPS





TPL SERIES PLUGS/ CAPS have been designed to protect FEMALE (coupler) or MALE (nipple) parts while they are disconnected.

Example:

125.5372 AA



Plug for Female Part			
REF.		DN	Colour
125.5372AA	Plug	10	Grey

Cap for Male Part			
REF.		DN	Colour
125.5472AA	Cap	10	Grey