



EJ8CA type directional solenoid valve - 3 way / 2 positions

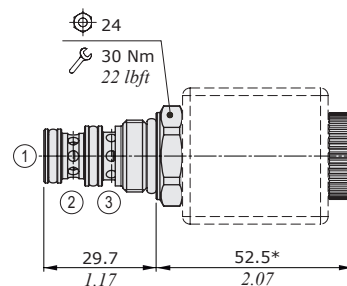
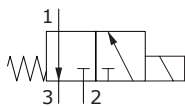
- Direct acting
- Spool type
- Suitable for low pressure: 70 bar (1015 psi)
- SAE 08/3C cavity

Technical specifications and diagrams are measured with mineral oil of 46 cSt viscosity at 40°C (104°F) temperature.

EJ8CA

Nominal flow		10 l/min (2.64 US gpm)
Max. pressure		70 bar (1015 psi)
Oil leakage	at 70 bar (1015 psi)	20 cm ³ /min (1.22 in ³ /min)
Fluid		olio a base minerale
Viscosity		10-200 cSt
Max level of contamination		18/16/13 ISO4406
Fluid temperature	with NBR seals with FPM seals	from -20°C (-4°F) to 80°C (176°F) from -20°C (-4°F) to 100°C (212°F)
Environmental temp. for working conditions		from -20°C (-4°F) to 50°C (122°F)
Cavity		SAE 08/3C
Coil type ⁽¹⁾		BER
Nominal voltages		12 VDC - 24 VDC ± 10%
Power rating		22.8 W (12 VDC) - 22.5 W (24 VDC)
Weight		0.116 kg (0.26 lb)

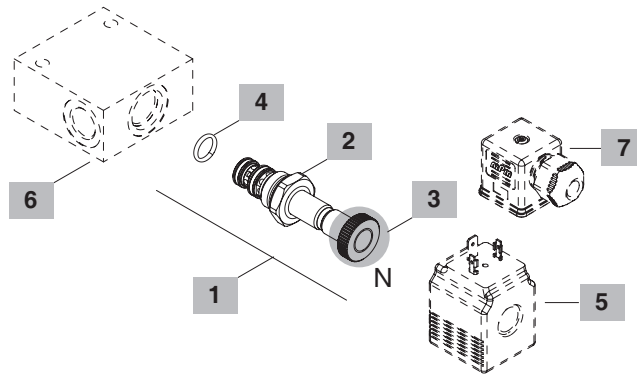
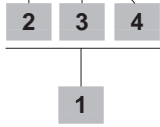
NOTE - For different conditions, please contact Walvoil Sales Dpt. - ⁽¹⁾ For coils further features see from page 206.



NOTE (*): dimension for configuration **EJ8CA/20NB**, for dimensions with different type of emergency see page 213.

Ordering codes and description composition

EJ8CA/20 NB



1 Cartridges

TYPE	CODE	DESCRIPTION
SAE cavity 08/3C		
EJ8CA/20NB	0EJ8C002000	Without emergency

2 Spool

TYPE	DESCRIPTION
2	Spool 2

3 Emergency

TYPE	DESCRIPTION
N	Without emergency

4 Seals

TYPE	DESCRIPTION
B	NBR (Buna) o-ring seals, std configuration
V	FPM (Viton) o-ring seals, contact Sales Dept.

5 Coils

TYPE	CODE	DESCRIPTION
BER 12VDC		
4SLE001200		12VDC-ISO4400 coil

For complete coils list see from page 206

6 Valve body

TYPE	CODE	DESCRIPTION
SAE 08/3C-G 3/8		
3CC0833C11		Aluminium body for cavity 08C valve, G3/8 std thread

For steel bodies or different threading see from page 217

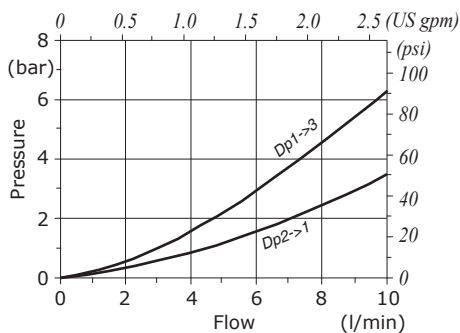
7 Connector

TYPE	CODE	DESCRIPTION
ISO4400		
4CN1009995		Connector

For complete connectors list see from page 206

Rating diagrams

Pressure drop vs. flow



Performance limit

