



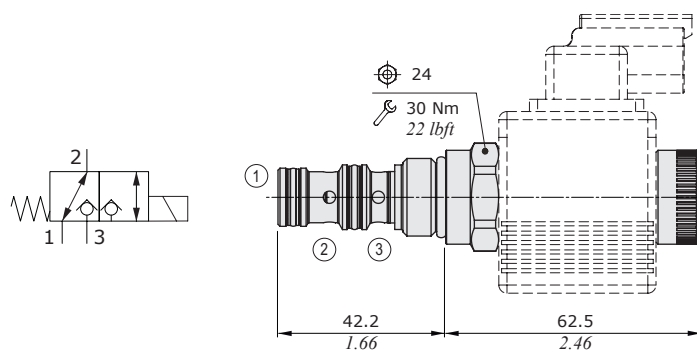
EL08B type directional solenoid valve - 3 way / 2 positions

- Direct acting
- Poppet type
- SAE08 cavity
- Low power consumption

Technical specifications and diagrams are measured with mineral oil of 46 cSt viscosity at 40°C (104°F) temperature.

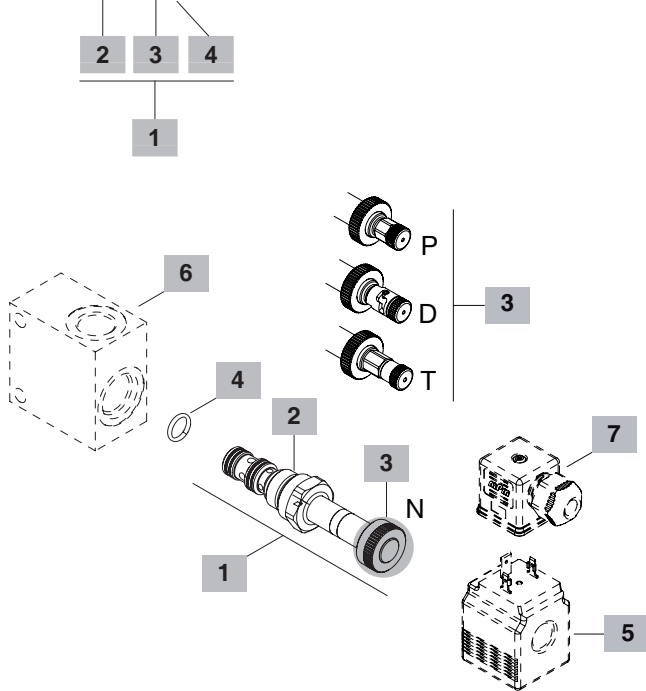
EL08B		
Nominal flow		10 l/min (2.64 US gpm)
Max. pressure		250 bar (3600 psi)
Oil leakage	at 210 bar (3050 psi)	0.25 cm ³ /min (0.015 in ³ /min)
Fluid		mineral based oil
Viscosity		10-200 cSt
Max level of contamination		18/16/13 ISO4406
Fluid temperature	with NBR seals with FPM seals	from -20°C (-4°F) to 80°C (176°F) from -20°C (-4°F) to 100°C (212°F)
Environmental temp. for working conditions		from -20°C (-4°F) to 50°C (122°F)
Cavity		SAE 08/3
Coil type*		BER
Nominal voltages		12 VDC - 24 VDC ± 10%
Power rating		19 W
Weight		0.16 kg (0.35 lb)

NOTE - For different conditions, please contact Walvoil Sales Dpt. - *For coils further features see from page 206.



Ordering codes and description composition

EL08B/10 NB



1 Cartridges

TYPE	CODE	DESCRIPTION
EL08B/10NB	0EL08002009	Without emergency
EL08B/10PB	0EL08002006	With push-button emergency
EL08B/10TB	0EL08002007	Screw type emergency
EL08B/10DB	0EL08002008	Push type with detent emergency

2 Spool

TYPE	DESCRIPTION
1	Spool 1

3 Emergency

TYPE	DESCRIPTION
N	Without emergency
P	Push-button emergency
T	Screw type emergency
D	Push type with detent emergency

4 Seals

TYPE	DESCRIPTION
B	NBR (Buna) o-ring seals, std configuration
V	FPM (Viton) o-ring seals, contact Sales Dept.

5 Coil

TYPE	CODE	DESCRIPTION
BER 12 VDC	4SLE001200A	Bobina 12VDC-ISO4400

For complete coils list see from page 206

6 Valve body

TYPE	CODE	DESCRIPTION
SAE 08/3-G 1/4	3CC0830B11	Aluminium body for cavity 08 valve, G 1/4 std thread

For steel bodies or different threading see from page 217

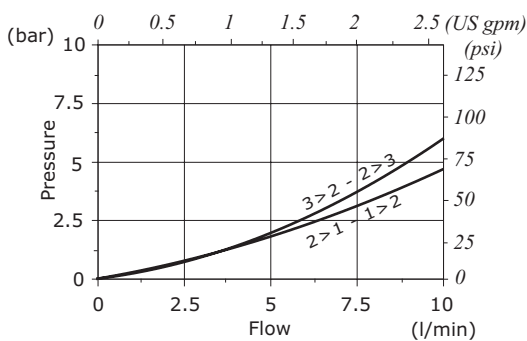
7 Connector

TYPE	CODE	DESCRIPTION
ISO4400	4CN1009995	Connector

For complete connectors list see from page 206

Rating diagrams

Pressure drop vs. flow



Performance limit

