



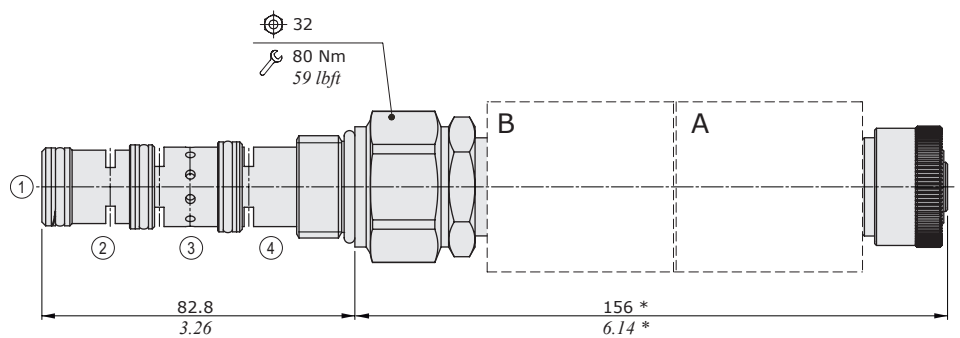
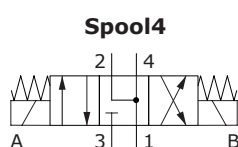
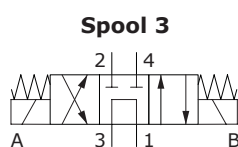
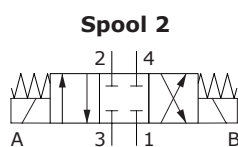
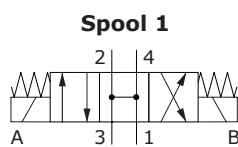
ET12A type directional solenoid valve - 4 way / 3 positions

- Direct acting
- Spool type

Technical specifications and diagrams are measured with mineral oil of 46 cSt viscosity at 40°C (104°F) temperature.

ET12A		
Nominal flow		40 l/min (10.5 US gpm)
Max. pressure		210 bar (3050 psi)
Oil leakage	at 210 bar (3050 psi)	120 cm ³ /min (7.32 in ³ /min)
Fluid		mineral based oil
Viscosity		10-200 cSt
Max level of contamination		18/16/13 ISO4406
Fluid temperature	with NBR seals with FPM seals	from -20°C (-4°F) to 80°C (176°F) from -20°C (-4°F) to 100°C (212°F)
Environmental temp. for working conditions		from -20°C (-4°F) to 50°C (122°F)
Cavity		SAE 12/4
Coil type*		BIN 22
Nominal voltages		12 VDC - 24 VDC ± 10%
Power rating		32.6 W (12 VDC) - 31 W (24 VDC)
Weight		0.720 kg (1.59 lb)

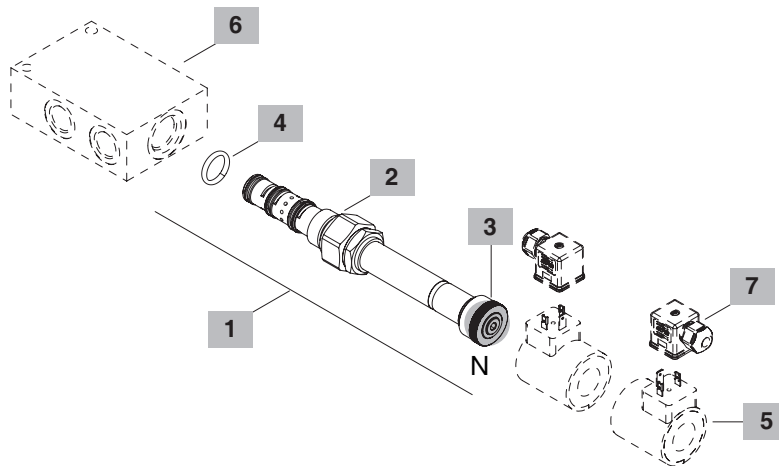
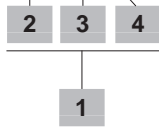
NOTE - For different conditions, please contact Walvoil Sales Dpt. - *For coils further features see from page 206.



NOTE (*) : dimensions for configuration **ET12A/10NB**, for dimensions with different type of emergency see page 213.

Ordering codes and description composition

ET12A/10 NB



1 Cartridges

TYPE	CODE	DESCRIPTION
SAE cavity 12/4		
ET12A/10NB	0ET12002012	Without emergency, spool 1
ET12A/10PB	0ET12002013	Push-button emergency, spool 1
ET12A/20NB	0ET12002009	Without emergency, spool 2
ET12A/20PB	0ET12002014	Push-button emergency, spool 2
ET12A/30NB	0ET12002010	Without emergency, spool 3
ET12A/30PB	0ET12002015	Push-button emergency, spool 3
ET12A/40NB	0ET12002011	Without emergency, spool 4
ET12A/40PB	0ET12002016	Push-button emergency, spool 4

2 Spool

TYPE	DESCRIPTION
1	Spool 1
2	Spool 2
3	Spool 3
4	Spool 4

3 Emergency

TYPE	DESCRIPTION
N	Without emergency
P	Push button type

4 Seals

TYPE	DESCRIPTION
B	NBR (Buna) o-ring seals, std configuration
V	FPM (Viton) o-ring seals, contact Sales Dept.

5 Coils

TYPE	CODE	DESCRIPTION
BIN22 12VDC	4SL6000128	12VDC-ISO4400 coil

For complete coils list see from page 206

6 Valve body

TYPE	CODE	DESCRIPTION
SAE 12/4-G 1/2	3CC1240D11	Aluminium body for cavity 12 valve, G1/2 std thread

For steel bodies or different threading see from page 219

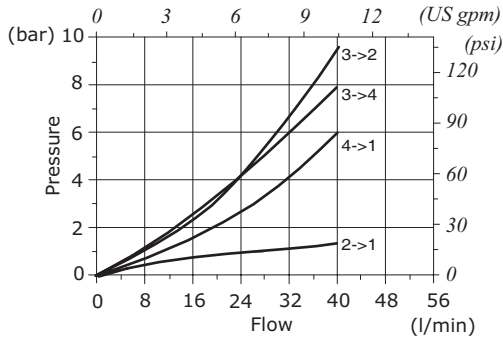
7 Connector

TYPE	CODE	DESCRIPTION
ISO4400	4CN1009995	Connector

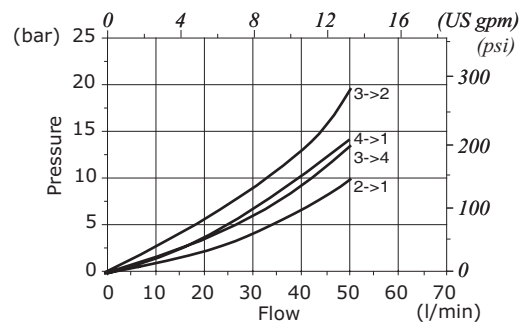
For complete connectors list see from page 206

Rating diagrams

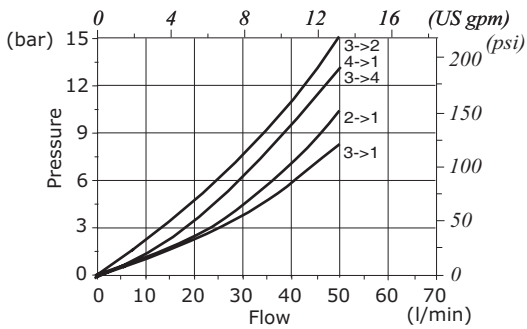
ET12A pressure drop vs. flow
 - Spool 1 -



ET12A pressure drop vs. flow
 - Spool 2 -



ET12A pressure drop vs. flow
 - Spool 3 -



ET12A pressure drop vs. flow
 - Spool 4 -

