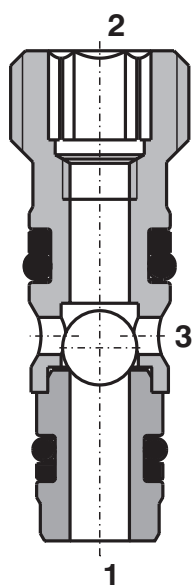


Load Shuttle Valve Rubber Sealed Ports

LV2-043

M12x1,5 • Q_{max} 8 l/min (2 GPM) • p_{max} 500 bar (7300 PSI)

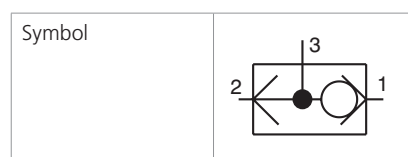


Technical Features

- › Hardened and precision working parts
- › Leak-free in closed position
- › Rapid response to changes in load direction
- › Compact size for a restricted installation space

Functional Description

A high pressure shuttle, screw-in, cartridge valve. Used for closing or opening hydraulic circuits to define priority of flow/direction given by a higher pressure circuit over a lower one. Tightness between all ports is ensured by a rubber seal.



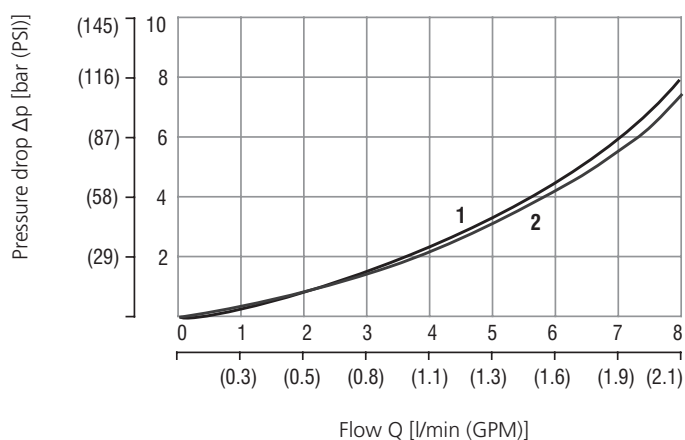
Technical Data

Valve size / Cartridge cavity		M12x1,5 / QD3
Max. flow rate	l/min (GPM)	8 (2.1)
Max. operating pressure	bar (PSI)	500 (7250)
Fluid temperature range (NBR)	°C (°F)	-30 +100 (-22 ... +212)
Fluid temperature range (FPM)	°C (°F)	-20 +120 (-4 ... +248)
Weight	kg (lbs)	0.01 (0.022)

	Data Sheet	Type
General information	GI_0060	Products and operating conditions
Bodies for valves	In-line mounted	On request
Cavity details	SMT_0019	SMT-QD3*
Spare parts	SP_8010	

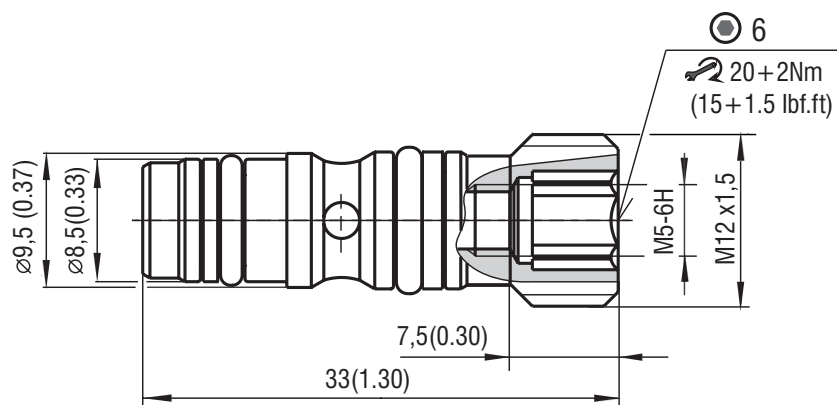
Characteristics measured at $v = 32 \text{ mm}^2/\text{s}$ (156 SUS)

Pressure drops $p-\Delta Q$



	Flow in direction
1	2 → 3
2	1 → 3

Dimensions in millimeters (inches)



Ordering Code

