



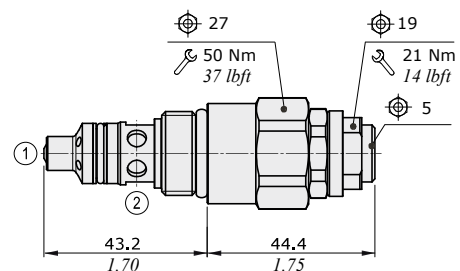
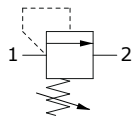
MC10M type pressure relief valve - 2 way

- Direct acting
- Poppet type

Technical specifications and diagrams are measured with mineral oil of 46 cSt viscosity at 40°C (104°F) temperature.

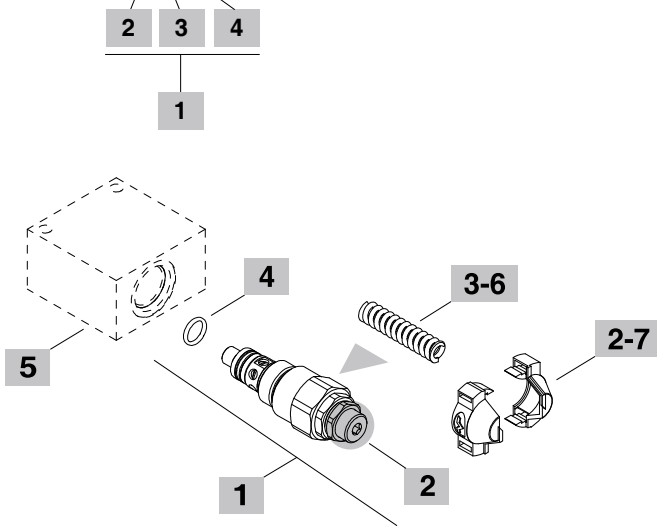
MC10M		
Nominal flow		70 l/min (18.5 US gpm)
Max. pressure		260 bar (3770 psi)
Oil leakage	80% of max. pressure setting	4 cm ³ /min (0.24 in ³ /min)
Fluid		mineral based oil
Viscosity		10-200 cSt
Max level of contamination		20/18/14 ISO4406
Fluid temperature	with NBR seals with FPM seals	from -20°C (-4°F) to 80°C (176°F) from -20°C (-4°F) to 100°C (212°F)
Environmental temp. for working conditions		from -20°C (-4°F) to 50°C (122°F)
Cavity		SAE 10/2 A
Weight		0.18 kg (0.396 lb)

NOTE - For different conditions, please contact Walvoil Sales Dpt.



Ordering codes and description composition

MC10M/OY1B



3 Pressure range

Standard setting is referred to 5 l/min (1.32 US gpm) flow

TYPE	DESCRIPTION
1	Pressure range 10÷60 bar (145÷870 psi); Std. setting 50 bar (725 psi)
2	Pressure range 40÷110 bar (580÷1595 psi); Std. setting 80 bar (1160 psi)
3	Pressure range 110÷220 bar (1595÷3190 psi); Std. setting 175 bar (2540 psi)
4	Pressure range 200÷260 bar (2900÷3770 psi); Std. setting 220 bar (3190 psi)

4 Seals

TYPE	DESCRIPTION
B	NBR (Buna) o-ring seals, std configuration
V	FPM (Viton) o-ring seals, contact Sales Dept.

5 Valve body

TYPE	CODE	DESCRIPTION
SAE 10/2-G 3/8	3CC1020C11	Aluminium body for cavity 10 valve, G 3/8 std thread

Note: aluminium body can stand up to 210 bar (3050 psi)

For steel bodies or different threading see from page 215

1 Cartridges

TYPE	CODE	DESCRIPTION
MC10M/OY1B	0MC10002026	Pressure range 1
MC10M/OY2B	0MC10002027	Pressure range 2
MC10M/OY3B	0MC10002028	Pressure range 3
MC10M/OY4B	0MC10002029	Pressure range 4

2 Adjustments

TYPE	DESCRIPTION
Y	With screw
X	Valve set with antitampering cap (part code: see point 7)

6 Springs

TYPE	CODE	DESCRIPTION
1	3ML1114500	Pressure range 1 - no band
2	3ML1114502	Pressure range 2 - blue band
3	3ML1114501	Pressure range 3 - red band
4	3ML1114503	Pressure range 4 - green band

7 Accessories

TYPE	CODE	DESCRIPTION
-	4COP126301	Antitampering cap (x2)

Rating diagrams

MC10M pressure vs. flow
Std. setting at 5 l/min (1.32 US gpm)

