



## MC12A type pressure relief valves - 2 way

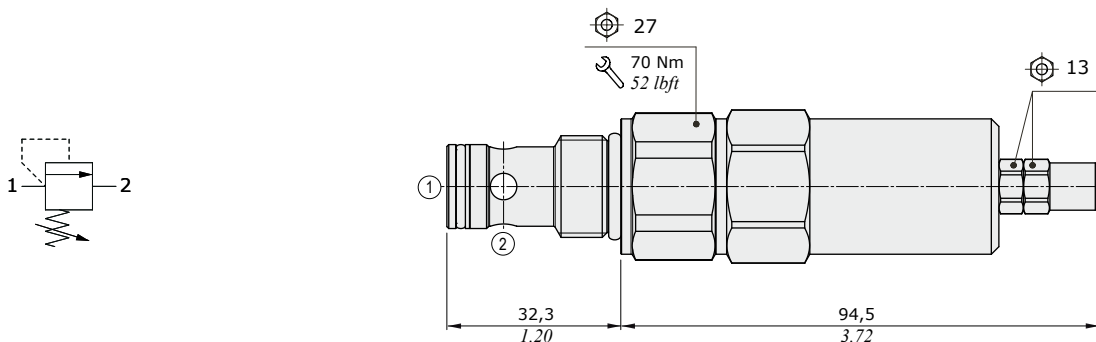
- Direct acting
- Poppet type
- From SAE12 cavities

Technical specifications and diagrams are measured with mineral oil of 46 cSt viscosity at 40°C (104°F) temperature.

### MC12A

Nominal flow		100 l/min (26.4 US gpm)
Max. pressure		350 bar (5100 psi)
Oil leakage		-
Fluid		mineral based oil
Viscosity		10-200 cSt
Max level of contamination		20/18/14 ISO4406
Fluid temperature	with NBR seals	from -20°C (-4°F) to 80°C (176°F)
	with FPM seals	from -20°C (-4°F) to 100°C (212°F)
Environmental temp. for working conditions		from -20°C (-4°F) to 50°C (122°F)
Cavity		SAE 12/2
Weight		0.86 kg (1.89 lb)

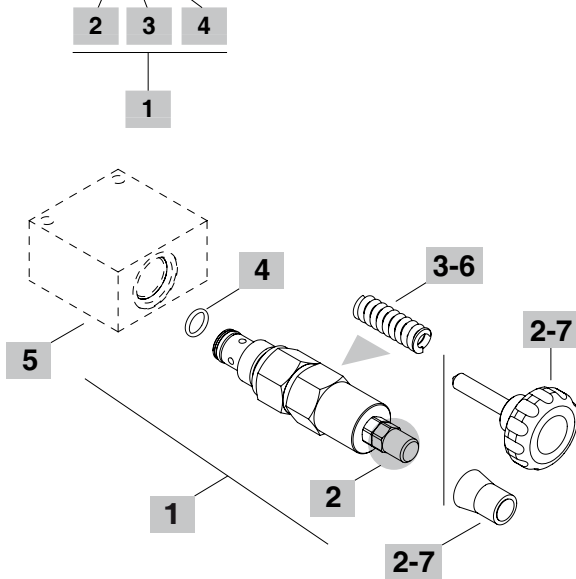
NOTE - For different conditions, please contact Walvoil Sales Dpt.



For dimensions with different type of adjustment see page 212

## Ordering codes and description composition

### MC12A/OS2B



### 3 Pressure range

Standard setting is referred to 5 l/min (1.32 US gpm) flow

TYPE DESCRIPTION

- 1** Range 20÷100 bar (290÷1450 psi); Std. setting 50 bar (725 psi), pressure increase by steps of 5,7 bar (83 psi) per screw turn
- 2** Range 50÷200 bar (725÷2900 psi); Std. setting 150 bar (2175 psi), pressure increase by steps of 26,5 bar (348 psi) per screw turn
- 3** Range 150÷350 bar (725÷1450 psi); Std. setting 250 bar (3600 psi), pressure increase by steps of 35 bar (508 psi) per screw turn

### 4 Seals

TYPE DESCRIPTION

- B** **NBR (Buna)** o-ring seals, std configuration
- V** **FPM (Viton)** o-ring seals, contact Sales Dept.

### 5 Valve body

TYPE CODE DESCRIPTION

- SAE 12/2-G 1/2** 3CC1220D11 Aluminium body for cavity 12 valve, G 1/2 std thread

Note: aluminium body can stand up to 210 bar (3050 psi)

For steel bodies or different threading see from page 215

### 1 Cartridges

TYPE	CODE	DESCRIPTION
<b>MC12A/OS1B</b>	0MC12002000	Pressure range <b>1</b>
<b>MC12A/OS2B</b>	0MC12002001	Pressure range <b>2</b>
<b>MC12A/OS3B</b>	0MC12002002	Pressure range <b>3</b>

### 2 Adjustments

TYPE	DESCRIPTION
<b>S</b>	With screw
<b>V</b>	With handwheel (part code: see point <b>7</b> )
<b>X</b>	Valve set with antitampering cap (part code: see point <b>7</b> )

### 6 Springs

TYPE	CODE	DESCRIPTION
<b>1</b>	3ML1166804	Pressure range <b>1</b> - green band
<b>2</b>	3ML1146800	Pressure range <b>2</b> - blue band
<b>3</b>	3ML1166805	Pressure range <b>3</b> - red band

### 7 Accessories

TYPE	CODE	DESCRIPTION
-	4VL2407100	Handwheel
-	4COP120420	Antitampering cap

## Rating diagrams

**MC12A pressure vs. flow**  
Std. setting at 5 l/min (1.32 US gpm)

