



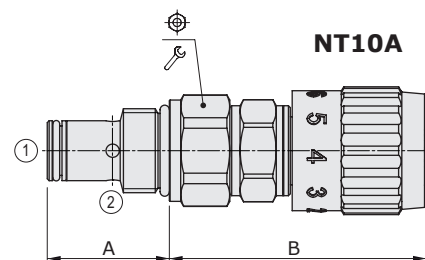
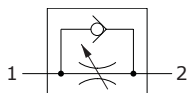
NT..A type flow restrictor - 2 way

- Adjustable type
- With reverse free flow check
- From SAE08 to SAE16 cavities

Technical specifications and diagrams are measured with mineral oil of 46 cSt viscosity at 40°C (104°F) temperature.

	NT08A	NT10A	NT12A	NT16A
Nominal flow	15 l/min (3.9 US gpm)	30 l/min (7.9 US gpm)	60 l/min (16 US gpm)	100 l/min (26 US gpm)
Max. pressure	350 bar (5100 psi)			
Fluid	mineral based oil			
Viscosity	10-200 cSt			
Max level of contamination	20/18/14 ISO4406			
Fluid temperature	with NBR seals with FPM seals	from -20°C (-4°F) to 80°C (176°F) from -20°C (-4°F) to 100°C (212°F)		
Environmental temp. for working conditions	from -20°C (-4°F) to 50°C (122°F)			
Cavity	SAE 08/2	SAE 10/2	SAE 12/2	SAE 16/2
Weight	0.240 kg (0.53 lb)	0.290 kg (0.64 lb)	0.400 kg (0.88 lb)	0.550 kg (1.21 lb)

NOTE - For different conditions, please contact Walvoil Sales Dpt.

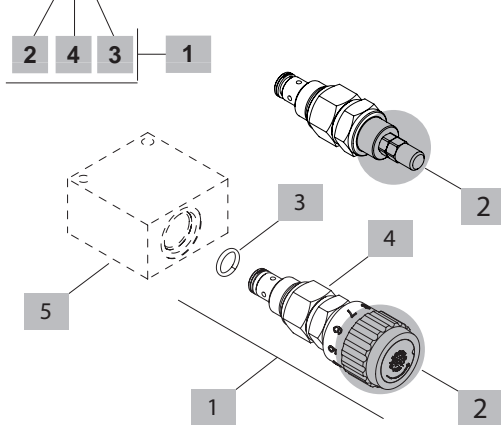


Valve type	A		B		⊕	⌘	Nm	lbf·ft
	mm	in	mm	in				
NT08A/AM	27.6	1.09	67.5	2.66	24	30	22	
NT10A/AM	32.3	1.27	68	2.68	27	50	36	
NT12A/AM	46	1.81	69	2.72	32	80	59	
NT16A/AM	45.2	1.79	68.9	2.71	41	100	74	

For dimensions with different type of adjustment see page 212

Ordering codes and description composition

NT08A/AM1B



2 Adjustments

TYPE	DESCRIPTION
S	Screw
M	Handknob calibrated
W	Copped adjustment

3 Seals

TYPE	DESCRIPTION
B	NBR (Buna) Std configuration without addition
V	For valve with FPM (Viton) o-ring seals, contact Sales Dept.

4 Opening pressure check valve from 1 to 2

TYPE	DESCRIPTION
1	0.5 bar (7.3 psi)

5 Valve body

TYPE	CODE	DESCRIPTION
SAE 08/2-G 3/8	3CC0820C11	Aluminium body for cavity 08 valve, G3/8 std thread
SAE 10/2-G 3/8	3CC1020C11	Aluminium body for cavity 10 valve, G3/8 std thread
SAE 12/2-G 1/2	3CC1220D11	Aluminium body for cavity 12 valve, G1/2 std thread
SAE 16/2-G 3/4	3CC1620E11	Aluminium body for cavity 16 valve, G3/4 std thread

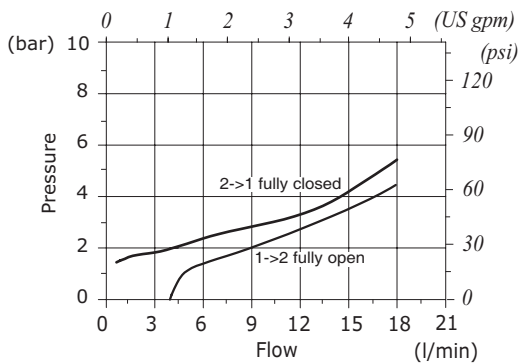
Note: aluminium body can stand up to 210 bar (3050 psi)
For steel bodies or different threading see from page 215

1 Cartridges

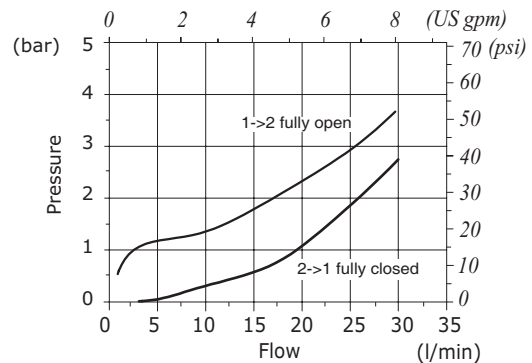
TYPE	CODE	DESCRIPTION
SAE cavity 08/2		
NT08A/AM1B	ONT08002000	Handknob adjustment
NT08A/AS1B	ONT08002001	Screw type adjustment
SAE cavity 10/2		
NT10A/AM1B	ONT10002000	Handknob adjustment
NT10A/AS1B	ONT10002001	Screw type adjustment
SAE cavity 12/2		
NT12A/AM1B	ONT12002000	Handknob adjustment
NT12A/AS1B	ONT12002001	Screw type adjustment
SAE cavity 16/2		
NT16A/AM1B	ONT16002000	Handknob adjustment

Rating diagrams

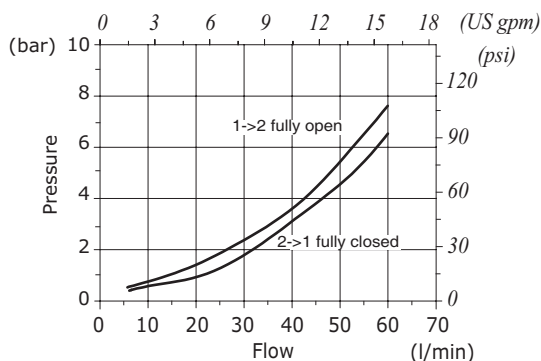
NT08A pressure drop vs flow



NT10A pressure drop vs flow



NT12A pressure drop vs flow



NT16A pressure drop vs flow

