



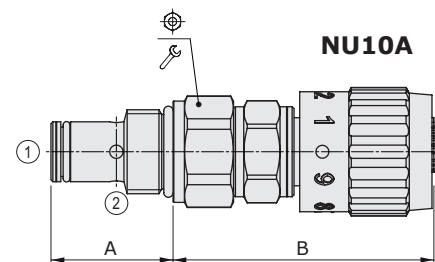
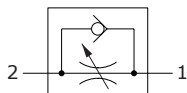
NU..A type flow restrictor - 2 way

- Adjustable type
- Free return line
- From SAE08 to SAE16 cavities

Technical specifications and diagrams are measured with mineral oil of 46 cSt viscosity at 40°C (104°F) temperature.

	NU08A	NU10A	NU12A	NU16A
Nominal flow	15 l/min (3.9 US gpm)	30 l/min (7.9 US gpm)	60 l/min (16 US gpm)	100 l/min (26 US gpm)
Max. pressure	350 bar (5100 psi)			
Fluid	mineral based oil			
Viscosity	10-200 cSt			
Max level of contamination	20/18/14 ISO4406			
Fluid temperature	with NBR seals with FPM seals	from -20°C (-4°F) to 80°C (176°F) from -20°C (-4°F) to 100°C (212°F)		
Environmental temp. for working conditions	from -20°C (-4°F) to 50°C (122°F)			
Cavity	SAE 08/2	SAE 10/2	SAE 12/2	SAE 16/2
Weight	0.240 kg (0.53 lb)	0.290 kg (0.64 lb)	0.400 kg (0.88 lb)	0.550 kg (1.21 lb)

NOTE - For different conditions, please contact Walvoil Sales Dpt.

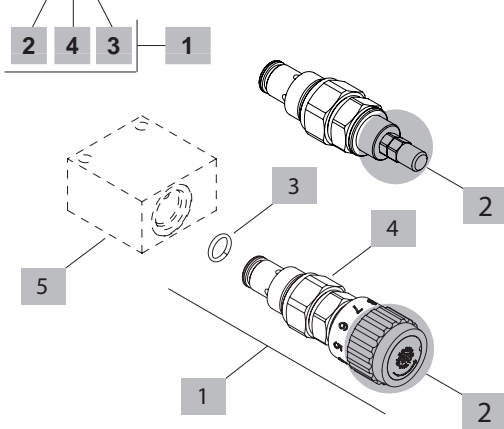


Valve type	A		B		⌀	Nm	lbf·ft
	mm	in	mm	in			
NU08A/AM	27.6	1.09	66.5	2.62	24	30	22
NU10A/AM	32.3	1.27	68	2.68	27	50	36
NU12A/AM	46	1.81	69	2.72	32	80	59
NU16A/AM	45.2	1.79	66.9	2.63	41	100	73

For dimensions with different type of adjustment see page 212

Ordering codes and description composition

NU08A/AM1B



1 Cartridges

TYPE	CODE	DESCRIPTION
SAE cavity 08/2		
NU08A/AM1B	0NU08002000	Handknob adjustment
NU08A/AS1B	0NU08002001	Screw type adjustment
SAE cavity 10/2		
NU10A/AM1B	0NU10002000	Handknob adjustment
NU10A/AS1B	0NU10002001	Screw type adjustment
SAE cavity 12/2		
NU12A/AM1B	0NU12002000	Handknob adjustment
NU12A/AS1B	0NU12002001	Screw type adjustment
SAE cavity 16/2		
NU16A/AM1B	0NU16002000	Handknob adjustment

2 Adjustments

TYPE	DESCRIPTION
S	Screw
M	Handknob calibrated
W	Copped adjustment

3 Seals

TYPE	DESCRIPTION
B	NBR (Buna) Std configuration without addition
V	For valve with FPM (Viton) o-ring seals, contact Sales Dept.

4 Opening pressure check valve from 1 to 2

TYPE	DESCRIPTION
1	0.5 bar (7.3 psi)

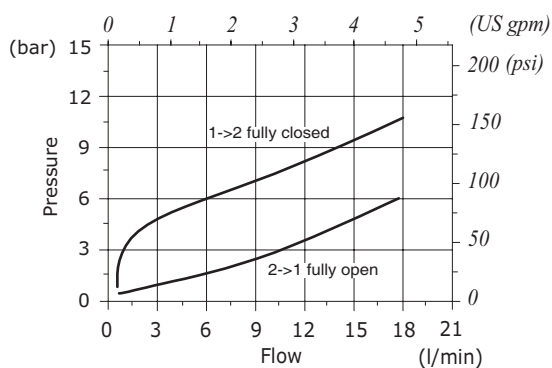
5 Valve body

TYPE	CODE	DESCRIPTION
SAE 08/2-G 3/8	3CC0820C11	Aluminium body for cavity 08 valve, G3/8 std thread
SAE 10/2-G 3/8	3CC1020C11	Aluminium body for cavity 10 valve, G3/8 std thread
SAE 12/2-G 1/2	3CC1220D11	Aluminium body for cavity 12 valve, G1/2 std thread
SAE 16/2-G 3/4	3CC1620E11	Aluminium body for cavity 16 valve, G3/4 std thread

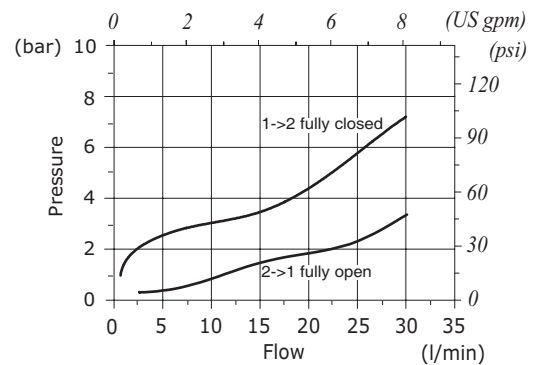
Note: aluminium body can stand up to 210 bar (3050 psi)
For steel bodies or different threading see from page 215

Rating diagrams

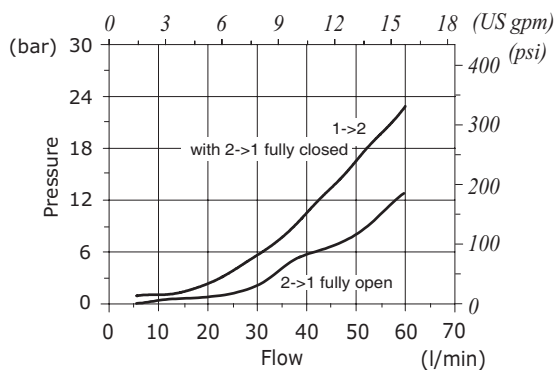
NU08A pressure drop vs flow



NU10A pressure drop vs flow



NU12A pressure drop vs flow



NU16A pressure drop vs flow

