



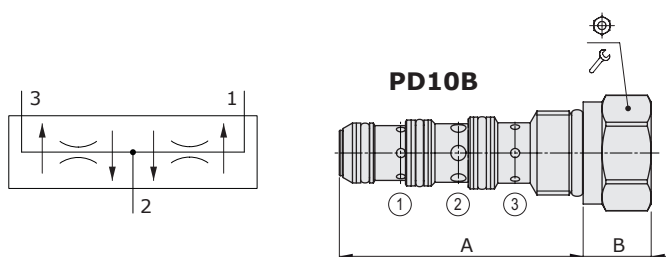
PD... type flow control pressure compensated valves - 3 way

- Flow divider-combiners
- From SAE10 to SAE16 cavities

Technical specifications and diagrams are measured with mineral oil of 46 cSt viscosity at 40°C (104°F) temperature.

	PD10B/110B	PD10B/120B	PD10B/130B	PD10B/140B	PD10B/150B	PD12B/100B	PD16C/110B
Flow range	4-12 l/min (1-3 US gpm)	12-20 l/min (3-5 US gpm)	20-28 l/min (5-7 US gpm)	28-36 l/min (7-9 US gpm)	36-44 l/min (9-12 US gpm)	40-75 l/min (10-20 US gpm)	75-150 l/min (20-40 US gpm)
Max. pressure	210 bar (3045 psi)						
Maximum division error	± 5% of the oil flow in 1 or 3 and 120 bar -1750 psi- pressure difference between 1 and 3. (Division rate 50%÷50%)						
Fluid	mineral based oil						
Viscosity	10-200 cSt						
Max level of contamination	20/18/14 ISO4406						
Fluid temperature	with NBR seals		from -20°C (-4°F) to 80°C (176°F)				
	with FPM seals		from -20°C (-4°F) to 100°C (212°F)				
Environmental temp. for working conditions	from -20°C (-4°F) to 50°C (122°F)						
Cavity	SAE 10/4	SAE 10/4	SAE 10/4	SAE 10/4	SAE 10/4	SAE 12/4	SAE 16/4
Weight	0.20 kg (0.44 lb)	0.20 kg (0.44 lb)	0.20 kg (0.44 lb)	0.20 kg (0.44 lb)	0.20 kg (0.44 lb)	0.30 kg (0.66 lb)	0.55 kg (1.21 lb)

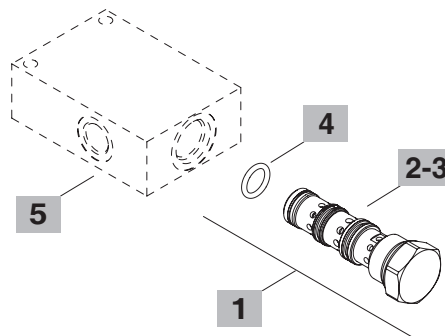
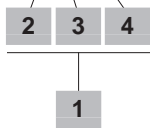
NOTE - For different conditions, please contact Walvoil Sales Dpt.



Valve type	A		B		⊕	⌘	Nm	lbft
	mm	in	mm	in				
PD10B	64.5	2.54	18	0.71	27	50	37	
PD12B	83	3.27	12	0.47	32	80	59	
PD16C	104	4.09	17	0.69	41	100	74	

Ordering codes and description composition

PD10B/110B



4 Cartridges

TYPE	CODE	DESCRIPTION
------	------	-------------

SAE cavity 10/4

PD10B/110B	OPD10002004	Flow range 1
------------	-------------	--------------

PD10B/120B	OPD10002005	Flow range 2
------------	-------------	--------------

PD10B/130B	OPD10002006	Flow range 3
------------	-------------	--------------

PD10B/140B	OPD10002007	Flow range 4
------------	-------------	--------------

PD10B/150B	OPD10002008	Flow range 5
------------	-------------	--------------

SAE cavity 12/4

PD12B/100B	OPD12002001	Range 40÷75 l/min (10-20 US gpm)
------------	-------------	----------------------------------

SAE cavity 16/4

PD16C/100B	OPD16002003	Range 75÷150 l/min (20-40 US gpm)
------------	-------------	-----------------------------------

3 Seals

TYPE	DESCRIPTION
------	-------------

B	NBR (Buna) Std configuration without addition
----------	--

V	For valve with FPM (Viton) o-ring seals, contact Sales Dept.
----------	---

6 Valve body

TYPE	CODE	DESCRIPTION
------	------	-------------

SAE 10/4-G 3/8	3CC1040C11	Aluminium body for cavity 10 valve, G3/8 std thread
-----------------------	------------	---

SAE 12/4-G 1/2	3CC1240D11	Aluminium body for cavity 12 valve, G1/2 std thread
-----------------------	------------	---

SAE 16/4-G 3/4	3CC1640E11	Aluminium body for cavity 16 valve, G3/4 std thread
-----------------------	------------	---

Note: aluminium body can stand up to 210 bar (3050 psi)

For steel bodies or different threading see from page 219

1 Dividing-Combining ratio

TYPE	DESCRIPTION
------	-------------

1	50÷50
----------	-------

2 Flow range

TYPE	DESCRIPTION
------	-------------

1	4÷12 l/min (1-3 US gpm)
----------	-------------------------

2	12÷20 l/min (3-5 US gpm)
----------	--------------------------

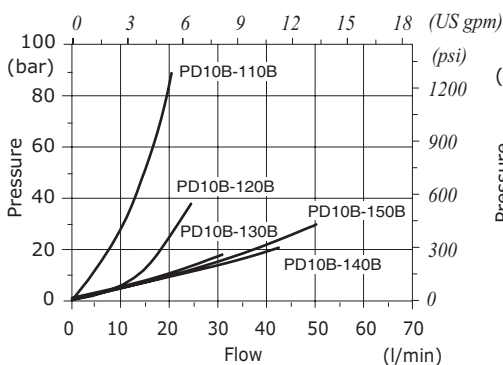
3	20÷28 l/min (5-7 US gpm)
----------	--------------------------

4	28÷36 l/min (7-9 US gpm)
----------	--------------------------

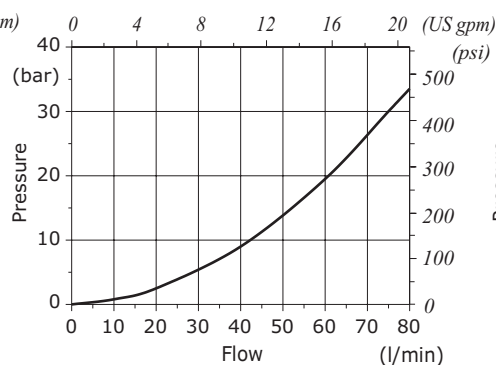
5	36÷44 l/min (9-12 US gpm)
----------	---------------------------

Rating diagrams

PD10B
pressure drop vs flow
form 2->1/3 and from 1/3->2



PD12B
pressure drop vs flow
from 2->1/3 and from 1/3->2



PD16C
pressure drop vs flow
from 2->1/3 and from 1/3->2

