



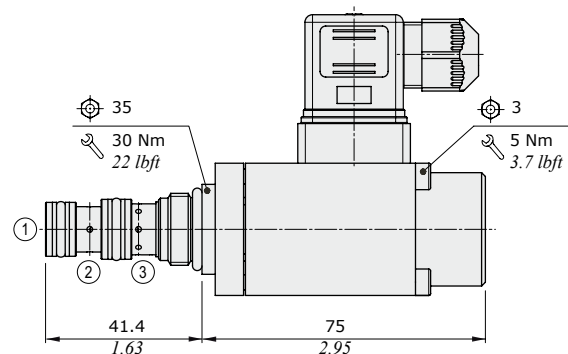
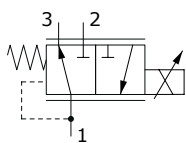
RD08W type pressure reducing valve - 3 way

- Solenoid proportional type, direct acting
- With relieving (NO)
- Spool type

Technical specifications and diagrams are measured with mineral oil of 46 cSt viscosity at 40°C (104°F) temperature.

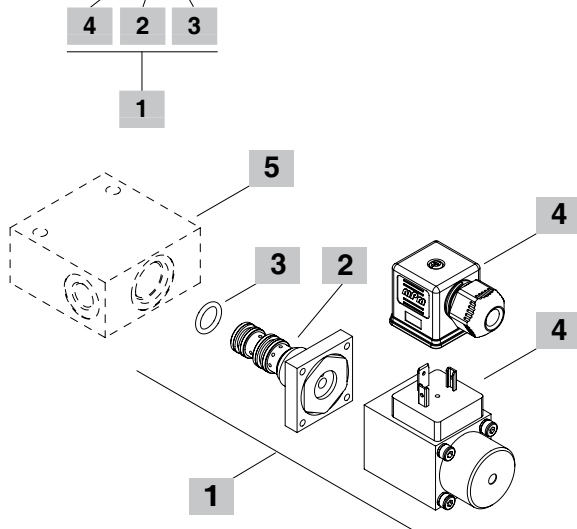
		RD08W
Nominal flow		4 l/min (1.05 US gpm)
Max. pressure		350 bar (5100 psi)
Oil leakage		-
Fluid		mineral based oil
Viscosity		10-200 cSt
Max level of contamination		18/16/13 ISO4406
Fluid temperature	<i>with NBR seals</i>	from -20°C (-4°F) to 80°C (176°F)
	<i>with FPM seals</i>	from -20°C (-4°F) to 100°C (212°F)
Environmental temp. for working conditions		from -40°C (-40°F) to 100°C (212°F)
Cavity		SAE 08/3
Coil type*		MP35
Nominal voltages		12 VDC - 24 VDC
Power rating		11.2 W (12 VDC) - 11.4 W (24 VDC)
Max control current		12 V -> 1.25 A - 24 V -> 0.68 A
Dither frequency		150 Hz
Hysteresis		≤4%
Weight		0.680 kg (1.50 lb)

NOTE - For different conditions, please contact Walvoil Sales Dpt. - For coils further features see from page 206.



Ordering codes and description composition

RD08W/021B



1 Cartridges

TYPE	CODE	DESCRIPTION
RD08W/021B	ORD08002001	Pressure range 1, 12VDC

2 Pressure range

TYPE	DESCRIPTION
1	Pressure range 5÷25 bar (72.5÷363 psi)
2	Pressure range 0÷12 bar (0÷174 psi)

3 Seals

TYPE	DESCRIPTION
B	NBR (Buna) o-ring seals, std configuration
V	FPM (Viton) o-ring seals, contact Sales Dept.

4 Coils and connectors

TYPE	CODE	DESCRIPTION
2) MP35 12VDC	5SL4000120	12VDC-ISO4400 coil
ISO4400	4CN1009995	Connector
4) MP35 24VDC	4SL4000240	24VDC-ISO4400 coil
ISO4400	4CN1009995	Connector

For complete coils and connectors list see from page 206

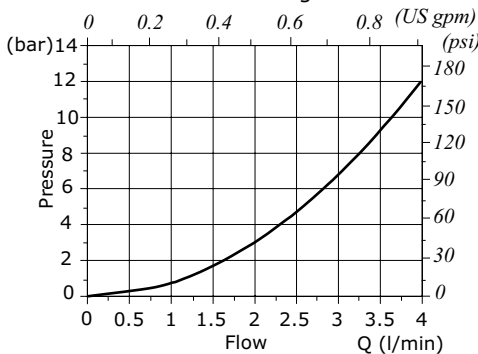
5 Valve body

TYPE	CODE	DESCRIPTION
SAE 08/3-SAE6	3CC0830J11	Aluminium body for cavity 08 valve, SAE6 std thread

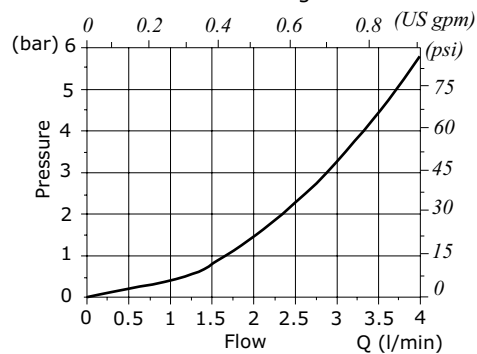
Note: aluminium body can stand up to 210 bar (3050 psi)
For steel bodies or different threading see from page 217

Rating diagrams

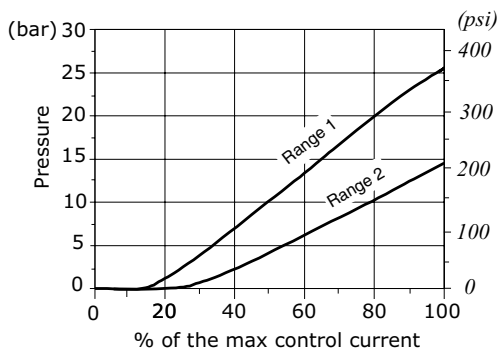
Pressure drop vs. flow 2->1
Pressure range 1



Pressure drop vs. flow 1->2
Pressure range 1



Pressure reducing vs. control current



Reducing/relieving pressure vs. flow
for % of control current - Pressure range 1

Relieving 1->3 Pressure reducing 2->1

