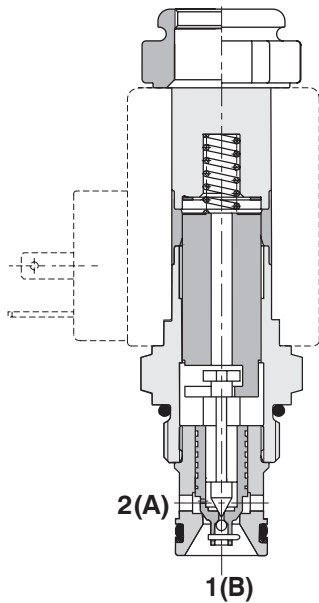


2/2 Directional Valve, Solenoid Operated, Poppet Type, Piloted

**ROE3-062S2**

M22x1.5 •  $Q_{max}$  63 l/min (17 GPM) •  $p_{max}$  250 bar (3600 PSI)

Normally closed



**Technical Features**

- › Hardened precision parts
- › High flow capacity and leak-free closing
- › High transmitted hydraulic power
- › Normally closed version
- › All ports may be fully pressurized
- › Coil interchangeability among ROE / RPE3-04 product line
- › Standard version zinc-coated with surface protection acc. to ISO 9227 (240 h salt spray)

**Functional Description**

2-way, 2-position piloted poppet valve in form of a screw-in cartridge. The valve is used mainly for on-off bi-directional control of flow to actuators with leak-free closing in one direction.

Model Code	S2
Symbol	

**Technical Data**

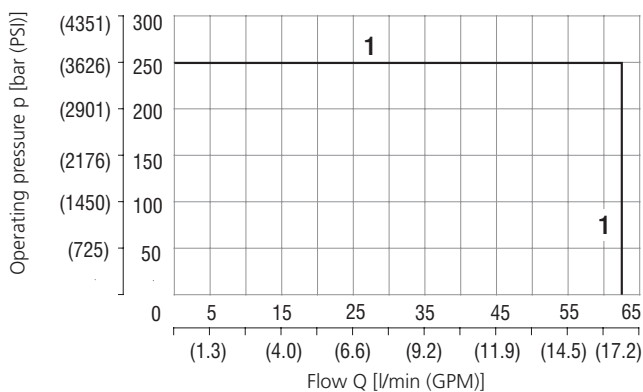
Valve size / Cartridge cavity		M22x1.5 / QG2
Max. flow	l/min (GPM)	63 (16.6)
Max. operating pressure	bar (PSI)	250 (3630)
Fluid temperature range (NBR)	°C (°F)	-30 ... +80 (-22 ... +176)
Fluid temperature range (FPM)	°C (°F)	-20 ... +80 (-4 ... +176)
Ambient temperature	°C (°F)	-20 ... 50 (-4 ... 122)
Supply voltage tolerance	%	AC, DC: ± 10
Max. switching frequency	1/h	15 000
Mass without coil	kg (lbs)	0.20 (0.44)

		Datasheet	Type
General information		GI_0060	Products and operating conditions
Coil types		C_8007	C19B*
Valve bodies	In line mounted	SB_0018	SB-QG2*
	Sandwich mounted	SB-04 (06)_0028	SB-06-QG2*
Cavity details		SMT_0019	SMT-QG2*
Spare parts		SP_8010	

**Characteristics** measured at  $v = 32 \text{ mm}^2/\text{s}$  (156 SUS)

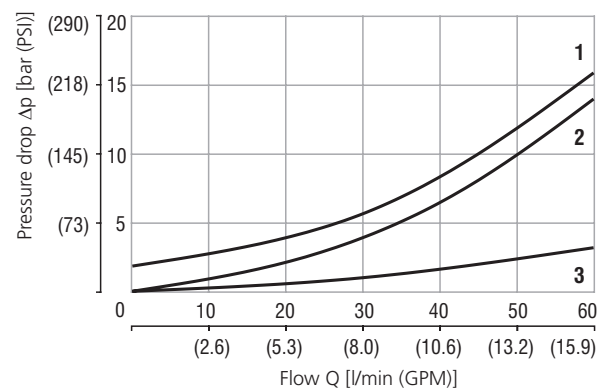
**Operating limits**

Operating limits for maximum hydraulic power at rated temperature and supply voltage equal to 90% nominal.



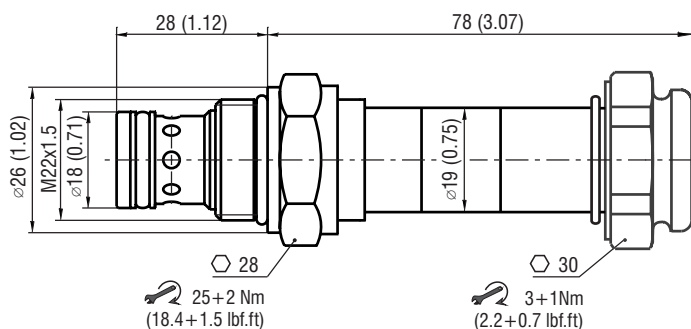
	Model	Connection
1	S2	2→1, 1→2

**Pressure drop related to flow rate**



	Model	Connection	Solenoid
1	S2	1→2	OFF
2	S2	2→1	ON
3	S2	1→2	ON

**Dimensions** in millimeters (inches)



**Manual Override** in millimeters (inches)

<p>Standard - without manual override</p>	<p>Designation N5 - with external hexagon, across flats 14</p>

In case of solenoid malfunction or power failure, the spool of the valve can be shifted by manual override as long as the pressure in port T does not exceed 25 bar (363 PSI). For alternative manual overrides contact our technical support.

**Ordering Code**

**ROE3-062**    -

**2/2 directional valve, solenoid operated, poppet type, piloted, M22x1.5**

**Surface treatment**  
**A** zinc-coated (ZnCr-3), ISO 9227 (240 h)  
**B** zinc-coated (ZnNi), ISO 9227 (520 h)

**Seals**  
**No designation** NBR  
**V** FPM (Viton)

**Functional symbol**

1(B)  
2(A)

**No designation** S2  
**N5**

**Manual override**  
 standard - without manual override  
 external hexagon, across flats 14