

Technical Features

- › Hardened precision parts
- › Sharp-edged steel seats for dirt-tolerant performance
- › Leak-free closing, suitable for fast cycling with long life
- › High flow capacity
- › Optional bias spring ranges for back-pressure control
- › In the standard version, the valve is zinc-coated for 520 h protection acc. to ISO 9227

Functional Description

A hydraulic check valve in the form of a screw-in cartridge for use as a blocking or load-holding device. The cartridge has a ball check which is closed by spring until sufficient pressure is applied at port 1 to open flow to port 2.



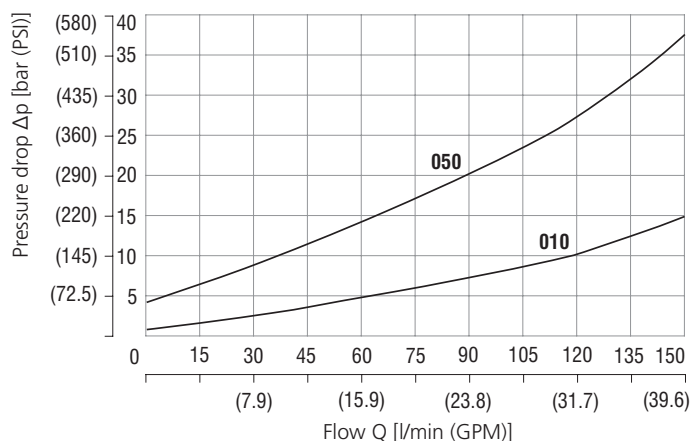
Technical Data

Valve size / Cartridge cavity		1-1/16-12 UNF-2A / C2	
Max. flow	l/min (GPM)	150 (39.6)	
Max. operating pressure	bar (PSI)	350 (5080)	
Cracking pressure	bar (PSI)	1 (14.5)	5 (72.5)
Fluid temperature range (NBR)	°C (°F)	-30 +100 (-22 ... +212)	
Fluid temperature range (FPM)	°C (°F)	-20 +120 (-4 ... +248)	
Weight	kg (lbs)	0.182 (0.40)	

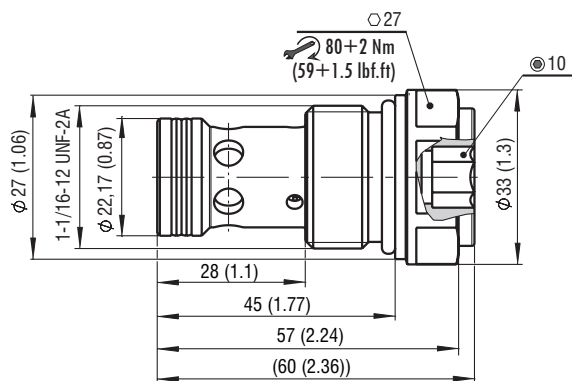
	Datasheet	Type
General information	GI_0060	Products and operating conditions
Valve bodies In-line mounted	SB_0018	SB-C2*
Cavity details / Form tools	SMT_0019	SMT-C2*
Spare parts	SP_8010	

Characteristics measured at $v = 32 \text{ mm}^2/\text{s}$ (156 SUS)

Pressure drop related to flow rate



Dimensions in millimeters (inches)



Ordering Code

	SC1F - C2 / H	<input type="checkbox"/>	<input type="checkbox"/>	- B	
Check valve, ball type					
Valve cavity 1-1/16-12 UNF					
Model High performance					
		000			Surface treatment zinc-coated (ZnNi), ISO 9227 (520 h)
		010			Seals NBR
		050			FPM (Viton)
			V		Cracking pressure without spring 1.0 bar (14.6 PSI) 5.0 bar (72.5 PSI)
				No designation	