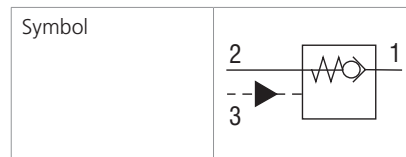
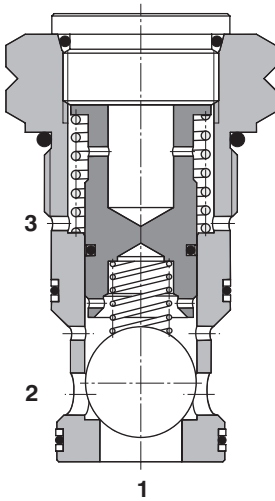


**Technical Features**

- › Hardened precision parts
- › Sharp-edged steel seats for dirt-tolerant performance
- › Leak-free closing, suitable for fast cycling with long life
- › High flow capacity
- › In the standard version, the valve is zinc-coated for 240 h protection acc. to ISO 9227

**Functional Description**

The valve allows flow to pass from port 1 to 2 while normally inhibiting flow from 2 to 1 under load. When pressure is applied at port 3, the poppet locks the ball valve in place, inhibiting flow from port 1 to 2. The cartridge valve has a 2:1 pilot ratio. The check valve is spring closed to secure the holding position in static conditions and without load.



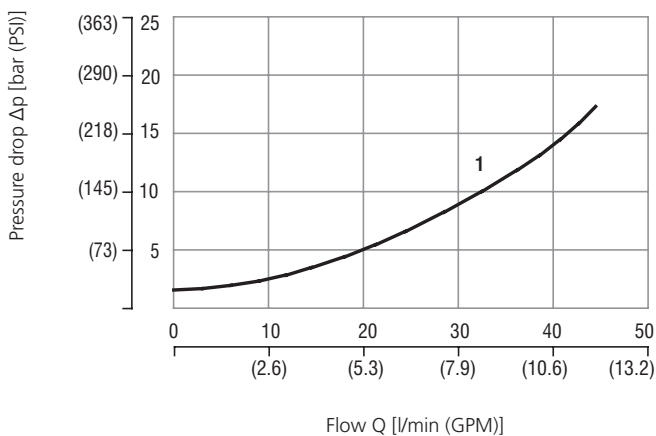
**Technical Data**

Valve size / Cartridge cavity		M20x1.5 / Q3
Max. flow	l/min (GPM)	30 (8)
Max. operating pressure	bar (PSI)	350 (5080)
Pilot ratio		2:1
Fluid temperature range (NBR)	°C (°F)	-20 .... +90 (-4 ... +194)
Mass	kg (lbs)	0.08 (0.18)

		Datasheet	Type
General information		GI_0060	Products and operating conditions
Valve bodies	In-line mounted	SB_0018	SB-Q3*
	Sandwich mounted	SB-04(06)_0028	SB-*Q3*
Cavity details		SMT_0019	SMT-Q3*
Spare parts		SP_8010	

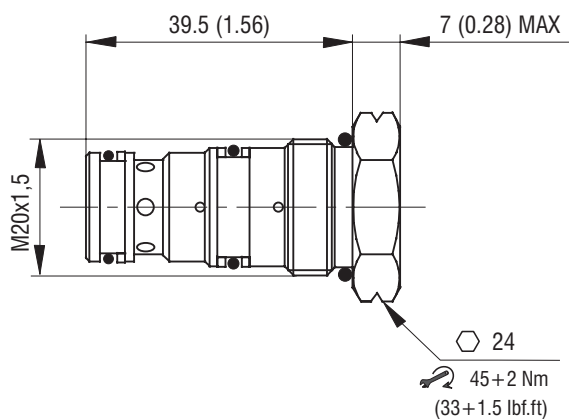
**Characteristics** measured at  $v = 40 \text{ mm}^2/\text{s}$  (195 SUS)

**Pressure drop related to flow rate**



1	Free flow (1→2)
---	-----------------

**Dimensions** in millimeters (inches)



**Ordering Code**

SCC5H-Q3/I 2  -

Check valve, pilot to close,  
poppet-type M20x1.5

Surface treatment  
A zinc-coated (ZnCr-3), ISO 9227 (240 h)

Pilot ratio  
standard

2:1

No designation

Seals  
NBR