



## SCF031/SCF034/SCF032 series Flexible cable remote control joystick

- Mechanical safety lock
- Ergonomic handles with push-buttons available
- Single or dual spool operation for a 2 section directional valve
- High efficiency
- Body, rubber boot and knob made in self-extinguishing and recyclable plastic polymer

### Working conditions

Max. load: in traction	1400 N - 315 lbf
in compression	900 N - 202 lbf
Minimum recommended bend radius	R = 150 mm - 5.9 in
Working temperature	from -20 to 80 °C - from -4°F to 176°F
Max. recommended length	4000 mm - 157.48 in
Average efficiency	70%

NOTE: the features are referred to remote control with flexible cables

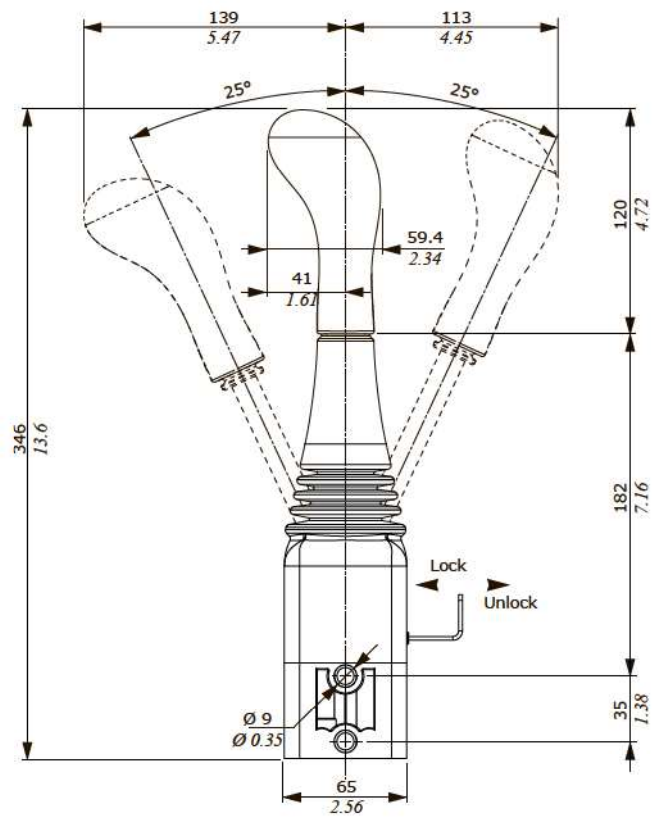
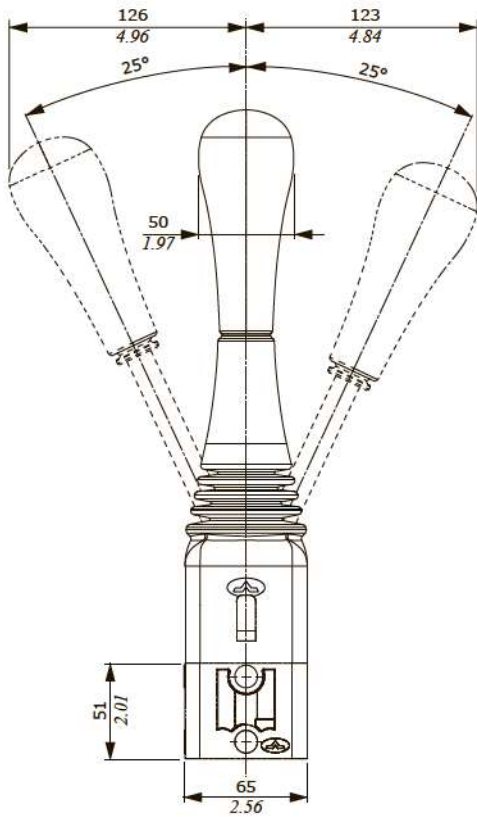
### Features

#### Push-buttons

Current/voltage	6 A / 125 VAC 3 A / 250 VAC 3 A / 30 VDC
Mechanical life	10 <sup>5</sup> n° of operation
Electric life	25x10 <sup>3</sup> n° of operation
Operating force	9.3 N - 2.09 lbf
Weather protection	IP 64

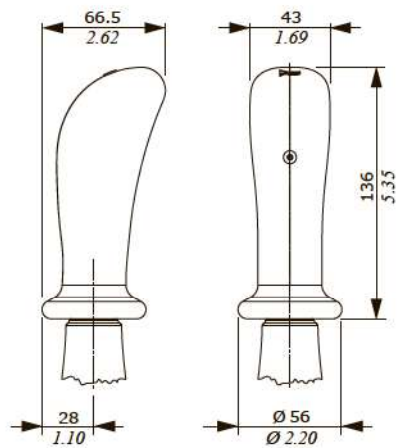
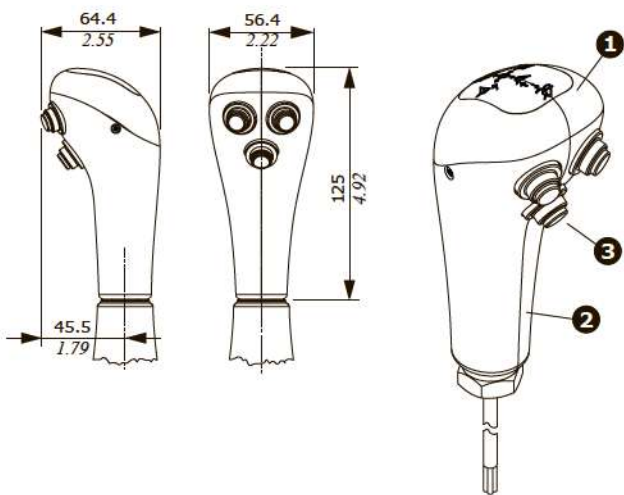
### Dimensions and handles

#### With FW type handle



#### With FWV Series handle

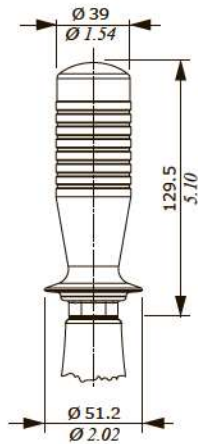
#### With V Series handle



- 1) Upper half-shell
- 2) Bottom half-shell
- 3) K type push-button

Dimensions and handles

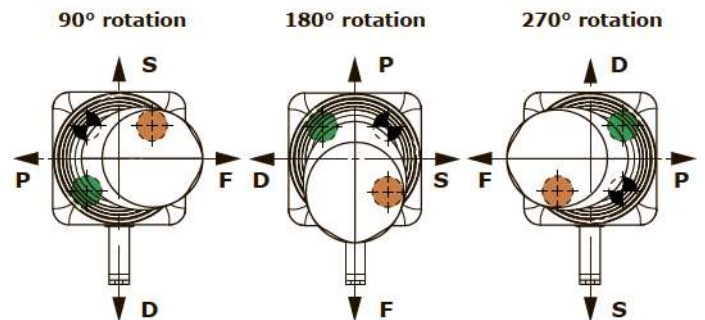
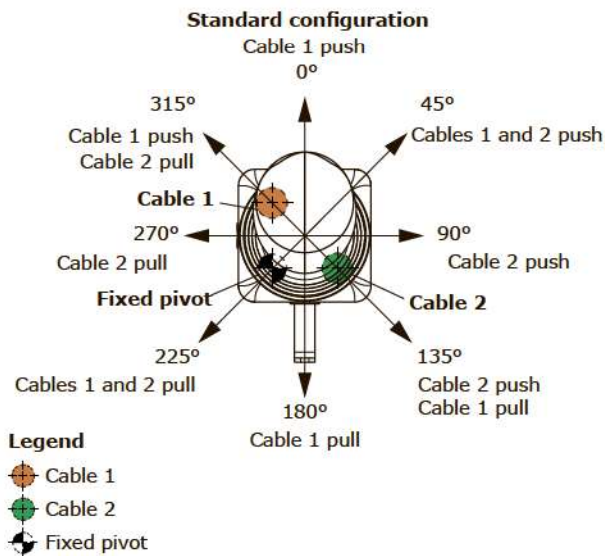
With 10 Series handle



Operations and options

Operation and handle position

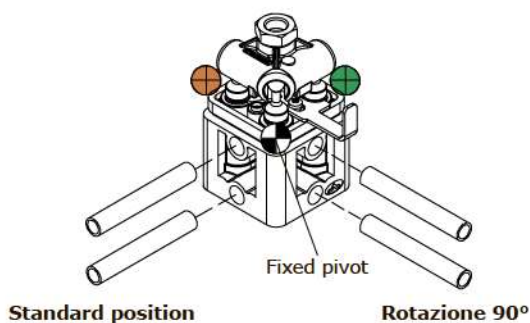
Handle can be mounted with 90° rotation step; the table below shows cables operation with handle in non-standard positions.



Handle operation direction	Handle mounting		
	90°	180°	270°
F Front	cable 2 push	cable 1 pull	cable 2 pull
P Rear	cable 2 pull	cable 1 push	cable 2 push
D Right	cable 1 pull	cable 2 pull	cable 1 push
S Left	cable 1 push	cable 2 push	cable 1 pull

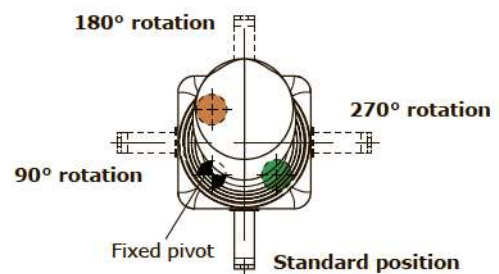
Body mounting

The position of the assembly bushing can be rotated 90° in order to allow the selection of the pilot valve fixing side.



Lock position

The mechanical lock can be mounted with 90° rotation step; its position refers to pivot's and cables' one.



## Description example and ordering codes

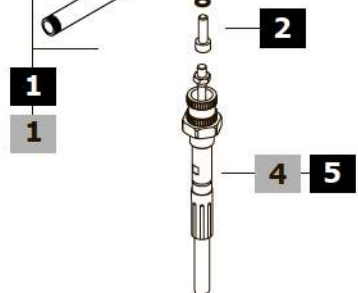
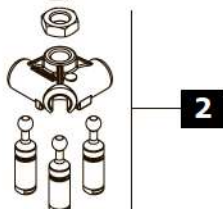
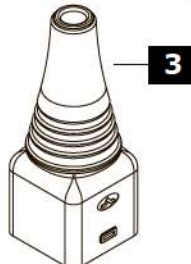
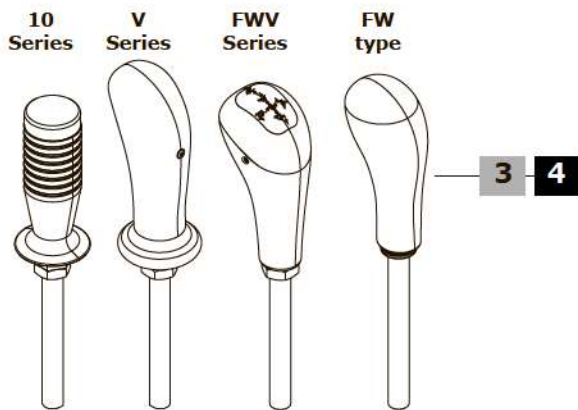
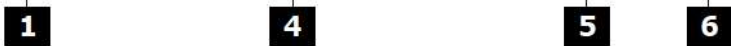
### Description example

SCF031 / 0 2 FWV-B-1KN5055-2KN5055-3KN5055+CD1500x2+SDM122/2-P(UD-180)/1[S]13SL/1[S]8MASL/AET

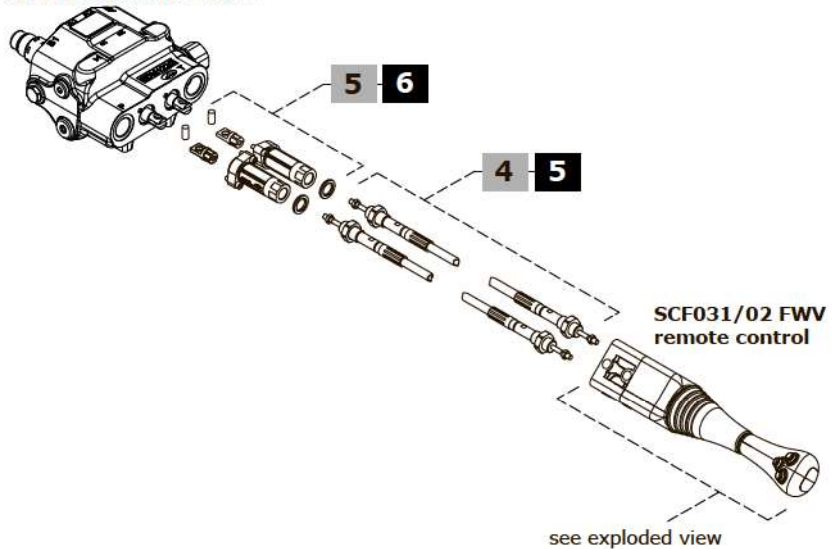


### Working section parts ordering codes

SCF031/02 FWV-B-1KN5055-2KN5055-3KN5055 + CD1500x2 + TQ81x2 + SDM122/2-P(UD-180)/1[S]13SL/1[S]8MASL/AET



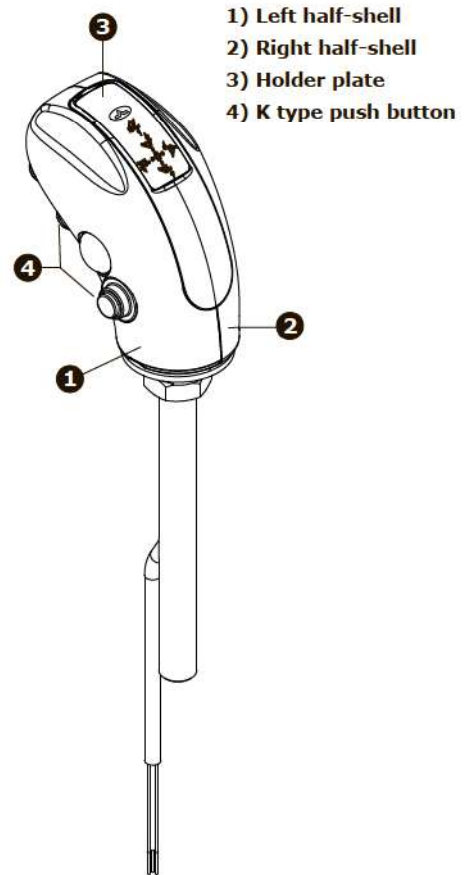
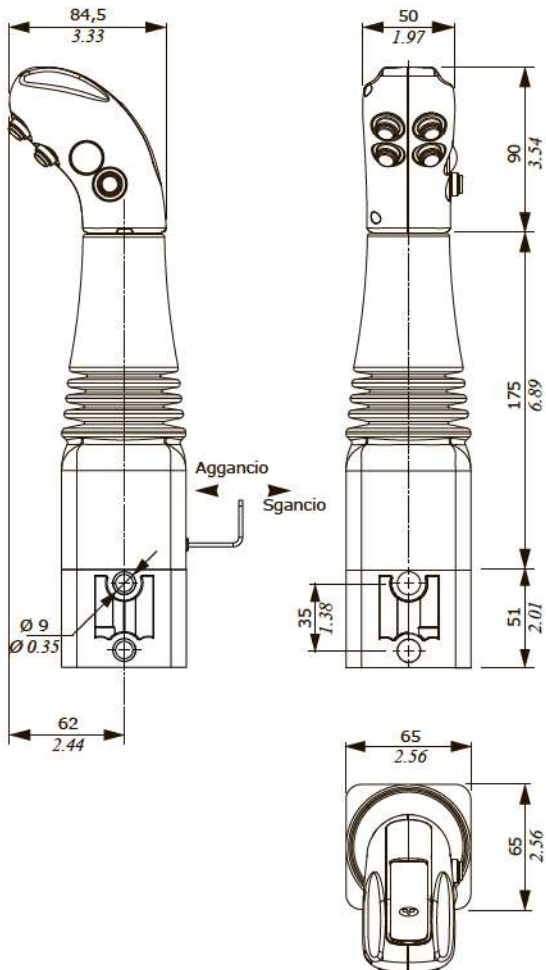
SDM122/2 directional control valve





### Dimensions and handles

Configuration with multi-micro ergonomic AMH type handle and dedicated bellow.



Description example and ordering codes

Description example

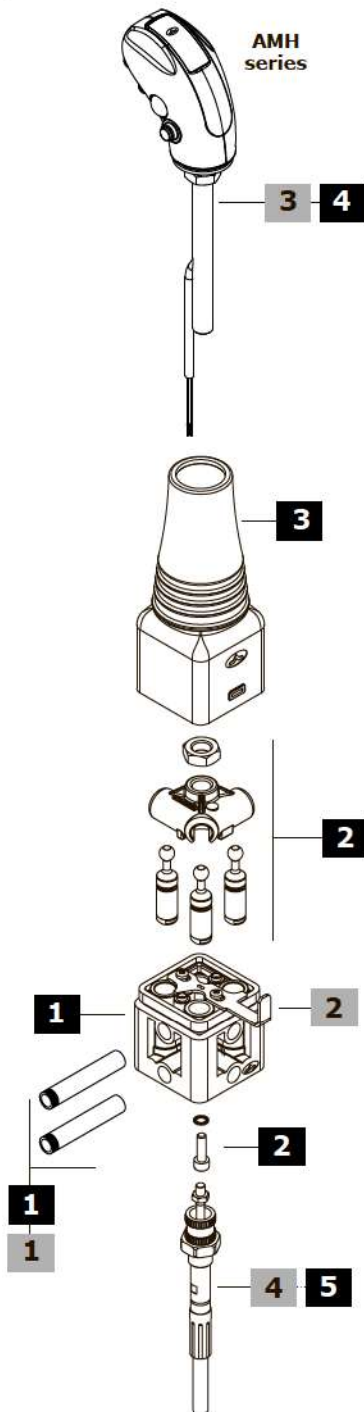
SCF034 / 0 2 AMHK0500A4-4(TAP)-5N5055-6N5055-7N5055-8N5055-9N5055-(E1) + CD1500x2

1
2
3
4

Working section parts ordering codes

SCF034/02 AMHK0500A4-4(TAP)-5N5055-6N5055-7N5055-8N5055-9N5055-(E1) + CD1500x2

1
4
5



Description composition

**1 Body mounting**

See page 15

**2 Mechanical lock**

See page 15

**3 Handles**

For description see #4 of "Ordering codes".

**4 Flexible cable**

TYPE	DESCRIPTION
CD1500	CD cable with lenght 1500 mm - 59 in
Note: for cables and connection kit see pages 20 and 21	

Ordering codes

**1 Body kit**

See page 15

**2 Control kit**

See page 15

**3 Bellow**

TYPE	CODE	DESCRIPTION
SCF034	3SOF204176	Bellows

**4 Handles**

Available AMH handles with custom length. Example:

**AMH series handle**

TYPE: AMHK0500A4-4(TAP)-5N5055-6N5055-7N5055-8N5055-9N5055-(E1)

CODE: 2IM3000008 DESCRIPTION: With 4 front push-button and 1 side push-button

TYPE: AMHM0300C4-1RB1150-6VB1150-8VB1150-(E3)

CODE: 2IM3000018 DESCRIPTION: With 2 front push-button and 1 side push-button and symbols according to UNI EN 12525

Note: for further configuration contact Sales Department

**5 Flexible cable**

For cables and connection kit see pages 20 and 21.

### Description example and ordering codes

SCF032 is the remote control for special configuration, for example particular length or formed rod and handles not included. Please contact our Sales Department for further information.

#### Description example with FW handle

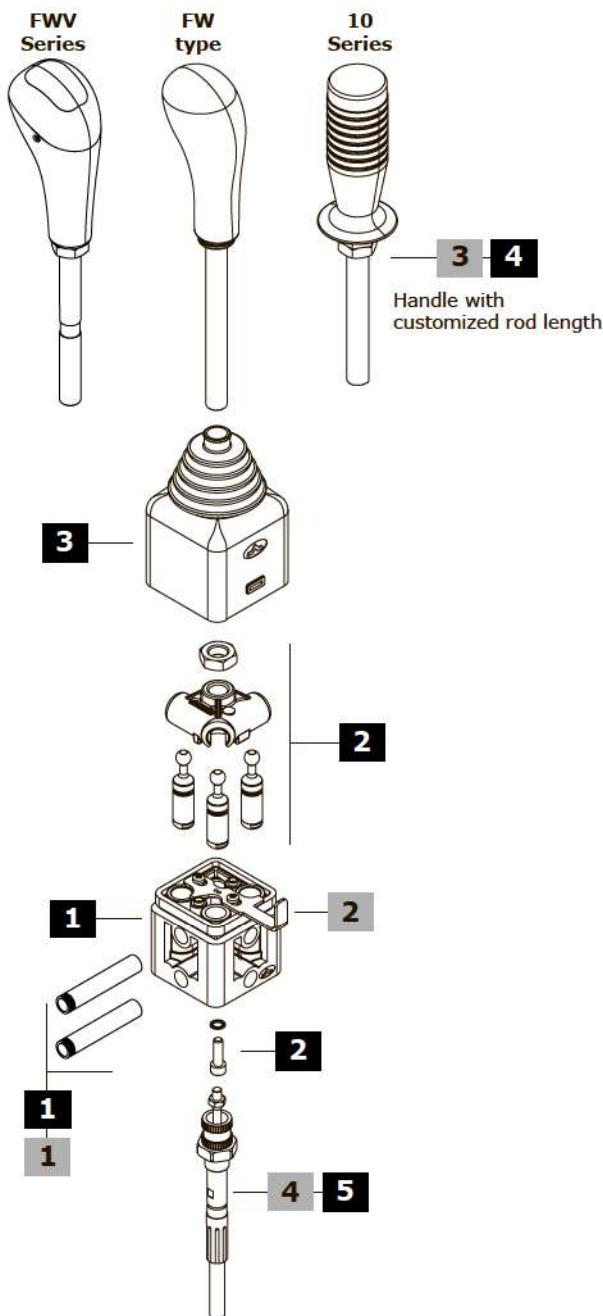
SCF032 / 0 2 FW + CD1500x2

1
2
3
4

#### Working section parts ordering codes

SCF032/02 FW + CD1500x2

1
4
5



### Description composition

#### 1 Body mounting

See page 15

#### 2 Mechanical lock

See page 15

#### 3 Handles

For description see #4 of "Ordering codes".

#### 4 Flexible cable

TYPE	DESCRIPTION
CD1500	CD cable with lenght 1500 mm - 59 in

Note: for cables and connection kit see pages 20 and 21.

### Ordering codes

#### 1 Body kit

See page 15

#### 2 Control kit

See page 15

#### 3 Bellow

TYPE	CODE	DESCRIPTION
SCF032	3SOF204111	Short bellows

#### 4 Handles

Available handles with custom length. Example:

TYPE	CODE	DESCRIPTION
S	-	Without handle, without handlever

##### Standard handle

FW	XAST481400	Standard without push-button, H 260 mm - 10.24 in
FWV-B	XAST482301	Standard up to 3 push-buttons and symbols according to UNI EN 12525, H 265.6 mm - 10.46 in

##### 10 series handle

X	XAST281414	Push button with spring return, H 252 mm - 9.92 in
Z	XAST281415	Push-button with detent, H 254 mm - 10 in
Y	XAST281421	3 positions spring return rocker switch, H 252 mm - 9.92 in

Note: for further configuration contact Sales Department

#### 5 Flexible cable

For cables and connection kit see pages 20 and 21.