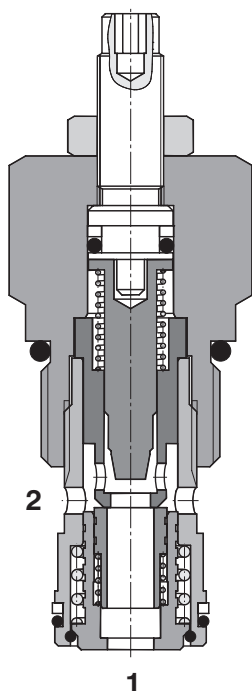


2-Way Flow Regulator with Reverse Flow Check, Pressure Compensated

SF2C2A-K2/I

M27x2 • Q_{max} 60 l/min (16 GPM) • p_{max} 350 bar (5100 PSI)



Technical Features

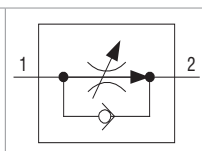
- › Set flow rate independent of load pressure and temperature changes
- › Adjusted flow rate depends on the orifice area and adjusted differential pressure
- › Integrated reverse flow check valve
- › Hardened precision parts
- › High flow capacity
- › Quiet and modulated response to load changes
- › Used in meter-in, meter-out or bleed-off applications
- › Wide range of flow rate options
- › In the standard version, the valve is zinc-coated (240 h corrosion protection in NSS acc. to ISO 9227)

Functional Description

This pressure compensated hydraulic flow regulating valve with fixed orifice and variable spring setting are designed to control flow rates independently of pressure and temperature changes, especially in systems where only small movements due to load changing are required.

The flow rate stabilization is provided by a pressure compensator in the direction from P1 to P2. The regulated flow decreases with clockwise rotation of the adjustment screw, and increases with counter-clockwise rotation. The desired setting can be locked down. The valve will maintain the set flow regardless of pressure variations on the regulated or inlet port.

Symbol



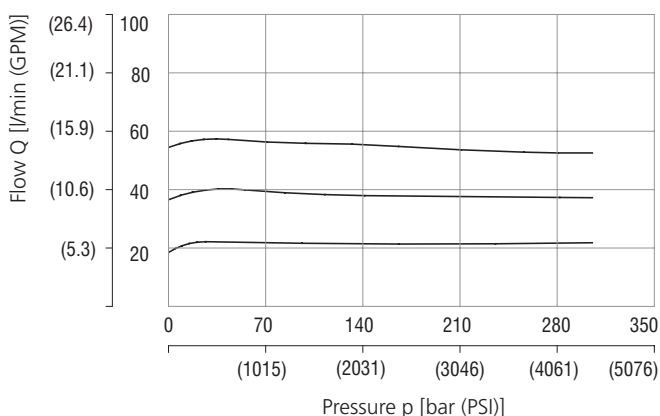
Technical Data

Valve size / Cartridge cavity		M27x2 / K2	
Nominal flow rates		4	6
Adjustment range	l/min (GPM)	4 - 40 (1.06 - 10.57)	6 - 60 (1.59 - 15.85)
Max. operating pressure	bar (PSI)	350 (5080)	
Fluid temperature range (NBR)	°C (°F)	-20 +90 (-4 ... +194)	
Weight	kg (lbs)	0.3 (0.66)	
	Datasheet	Type	
General information	GI_0060	Products and operating conditions	
Valve bodies	In-line mounted SB_0018	SB-K2*	
Cavity details	SMT_0019	SMT-K2*	
Spare parts	SP_8010		

Characteristics measured at $v = 40 \text{ mm}^2/\text{s}$ (195 SUS)

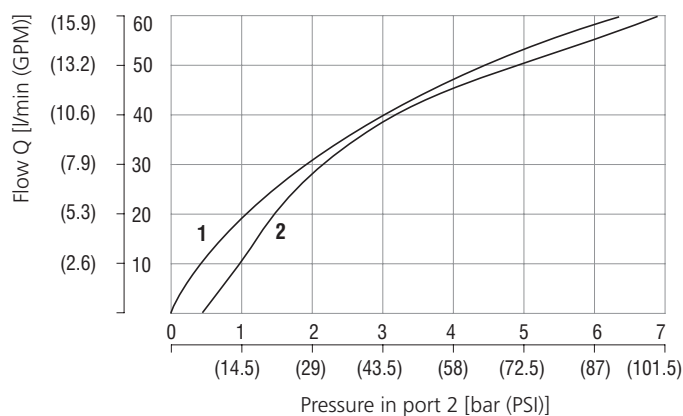
Regulated flow related to input pressure

Flow direction 1 - 2 (regulated flow)



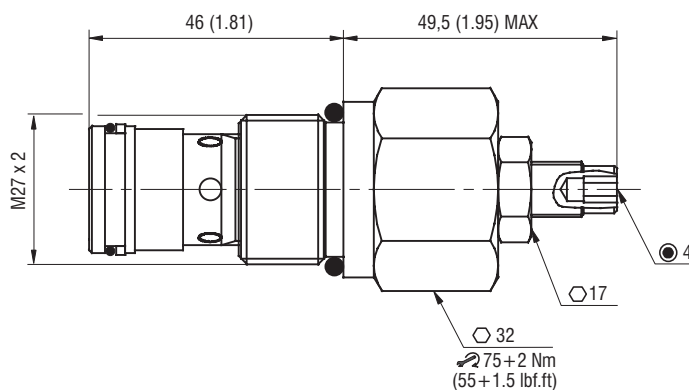
Flow rate 2 - 1 related to input pressure (2)

(flow rate through the open check valve)



1	Needle restrictor open
2	Needle restrictor closed

Dimensions in millimeters (inches)



Ordering Code

SF2C2A-K2/I		<input type="checkbox"/>	S	<input type="checkbox"/>	-	<input type="checkbox"/>
2-Way flow regulator with reverse flow check, pressure compensated		M27x2				
Adjustable flow range						
4 - 40 l/min (1.06 - 10.57 GPM)			4			
6 - 60 l/min (1.59 - 15.85 GPM)			6			
						Surface treatment
					A	zinc-coated (ZnCr-3), ISO 9227 (240 h)
					No designation	Seals
					V	NBR
						FPM (Viton)
						Adjustment option
						allen key (hex. 4), without protective cap