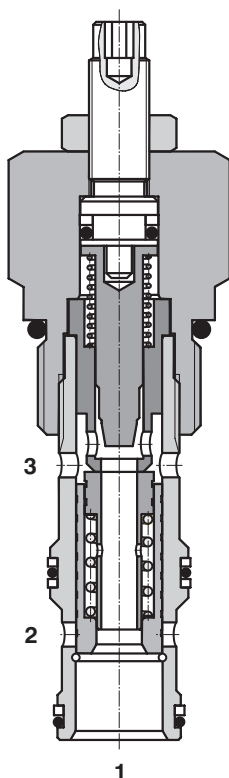


3-Way Flow Regulator, Pressure Compensated

SF32A-K3/I

M27x2 • Q_{max} 90 l/min (24 GPM) • p_{max} 350 bar (5100 PSI)



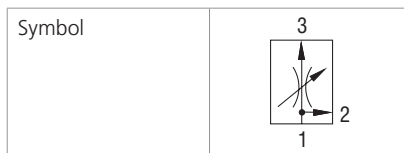
Technical Features

- › By-pass flow regulator, set flow rate independent of load pressure and temperature changes
- › Adjusted flow rate depends on the orifice area and adjusted differential pressure
- › Hardened precision parts
- › High flow capacity
- › Quiet and modulated response to load changes
- › Used in meter-in applications
- › Wide range of flow rate options
- › In the standard version, the valve is zinc-coated for 240 h protection acc. to ISO 9227

Functional Description

A fixed-orifice, pressure compensated hydraulic flow regulating valve in the form of a screw-in cartridge with variable spring setting. It can be used as a priority flow regulator or a 2-way flow regulator when the by-pass port (2) is blocked.

This valve maintains a constant priority flow from port 1 to port 3 based on the adjustment, regardless of pressure changes downstream on port 3. Excessive flow is directed to port 2.



Technical Data

Valve size / Cartridge cavity		M27x2 / K3	
Max. inlet flow (port 1)	l/min (GPM)	90 (23.78)	
Nominal flow rates		4	6
Adjustment range	l/min (GPM)	4 - 40 (1.06 - 10.57)	6 - 60 (1.59 - 15.85)
Max. operating pressure	bar (PSI)	350 (5080)	
Fluid temperature range (NBR)	°C (°F)	-20 +90 (-4 ... +194)	
Mass	kg (lbs)	0.16 (0.35)	

	Datasheet	Type
General information	GI_0060	Products and operating conditions
Valve bodies In-line mounted	SB_0018	SB-K3*
Cavity details	SMT_0019	SMT-K3*
Spare parts	SP_8010	

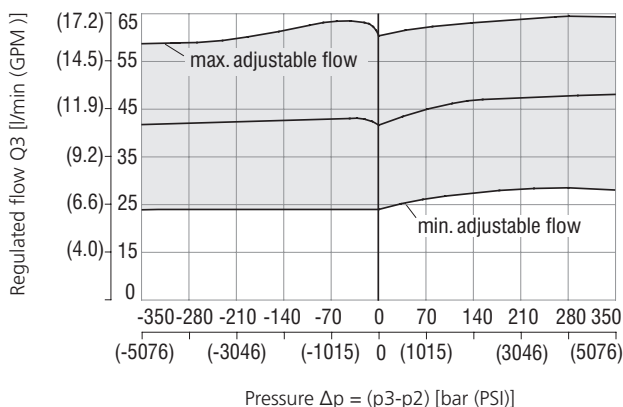
Characteristics measured at $v = 40 \text{ mm}^2/\text{s}$ (195 SUS)

Regulated flow related to input pressure

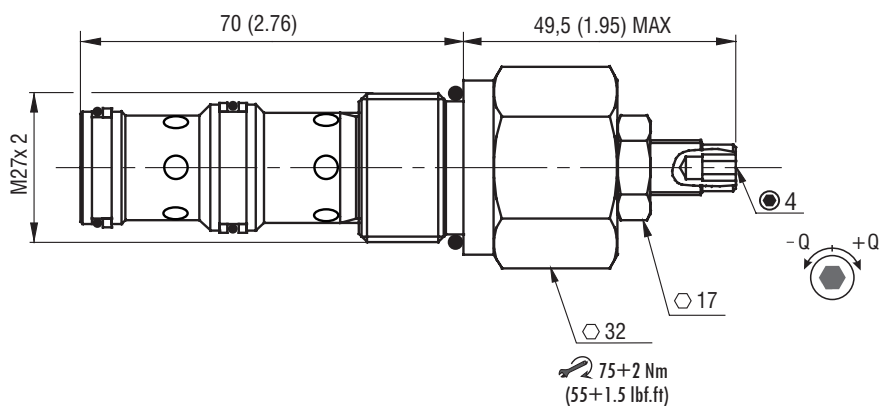
Measured at constant inlet flow $Q_1 = 50 \text{ l/min}$ (13.21 GPM)

By-pass pressure higher than regulated pressure $p_2 > p_3$

Regulated pressure higher than by-pass pressure $p_3 > p_2$



Dimensions in millimeters (inches)



Ordering Code

