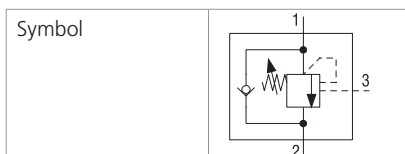


Technical Features

- › The valve prevents runaway ahead of the pump in the event of a negative load
- › Load-holding with leak-free closing poppet when directional valve is in neutral position
- › Pressure relief function protecting the actuator against overload and pressure peaks
- › Integrated check valve acting as an anti-cavitation valve
- › When installed into an actuator the valve can be used as a hose burst valve
- › In the standard version, the valve is zinc-coated for 240 h protection acc. to ISO 9227

Functional Description

Poppet type, screw-in motion control valve designed to control the runaway of a negative load. The built-in check valve allows reverse flow into the actuator, which is protected by the internal pressure relief function.



Technical Data

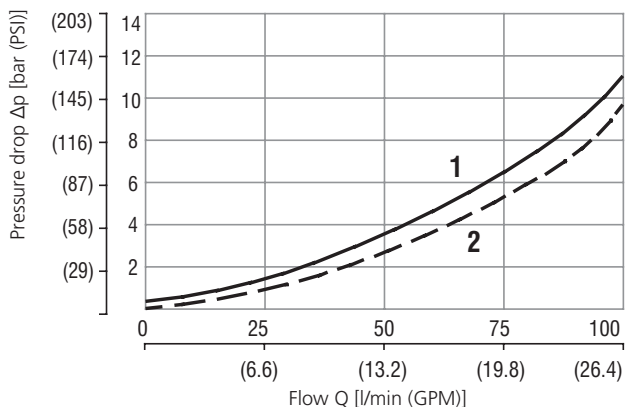
Valve size / Cartridge cavity		M27x1.5 / R3
Max. flow	l/min (GPM)	90 (23.8)
Max. load induced pressure	bar (PSI)	270 (3920)
Max. relief pressure	bar (PSI)	350 (5080)
Fluid temperature range	°C (°F)	-20 ... +90 (-4 ... +194)
Pilot ratio		4:1, 8:1
Internal Leakage	mil/min	0.3 nominal (5 drops per min)
Max. degree of fluid contamination	ISO 4406	Class 21/18/13
Mass	kg (lbs)	0.29 (0.64)

	Datasheet	Type
General information	GI_0060	Products and operating conditions
Valve bodies	In-line mounted	SB-R3*
Cavity details	SMT_0019	SMT-R3*
Spare parts	SP_8010	

Characteristics measured at v = 40 mm²/s (195 SUS)

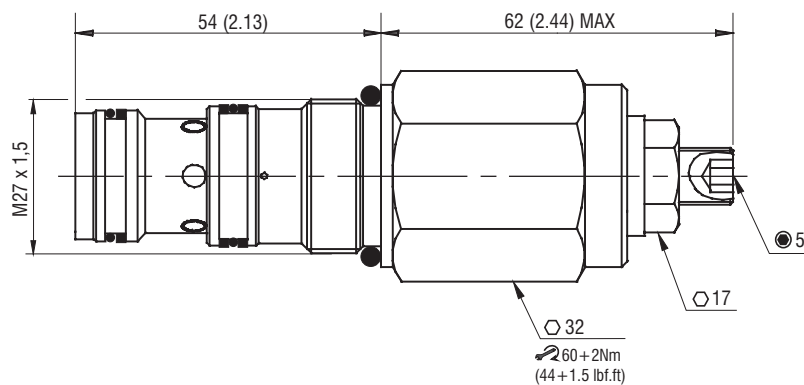
Pressure drop related to flow rate

Pilot ratio 4:1 and 8:1



Flow	
1	free flow (2→1)
2	pilot open (1→2)

Dimensions in millimeters (inches)



Ordering Code

SO5A-R3 / I <input type="checkbox"/> - <input type="checkbox"/> <input type="checkbox"/> - <input type="checkbox"/> - <input type="checkbox"/>		
Overcentre valve	M27x1.5	
Pilot ratio	standard	4:1 4 8:1 8
Relief pressure range	200 - 350 bar (2900 - 5080 PSI)	35
		Factory setting [bar @ l/min] 210/4,8 210 bar at 4.8 l/min
		Surface treatment A zinc-coated (ZnCr-3), ISO 9227 (240 h)
		Seals No designation NBR V FPM (Viton)