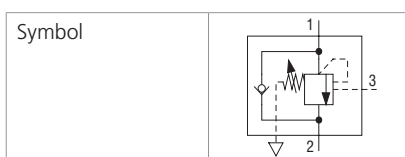


Technical Features

- › The valve prevents runaway ahead of the pump in the event of a negative load
- › Load-holding with leak-free closing poppet when directional valve is in neutral position
- › Pressure relief function protecting the actuator against overload and pressure peaks
- › Integrated check valve acting as an anti-cavitation valve
- › When installed into an actuator the valve can be used as a hose burst valve
- › Back pressure neither affects the relief setting nor the required pilot pressure
- › In the standard version, the valve is zinc-coated for 240 h protection acc. to ISO 9227

Functional Description

Poppet type, screw-in motion control valve designed to control the runaway of a negative load. The built-in check valve allows reverse flow into the actuator, which is protected by the internal pressure relief function. Back pressure at port 2 does neither affect the pressure relief setting nor the required pilot pressure.



Technical Data

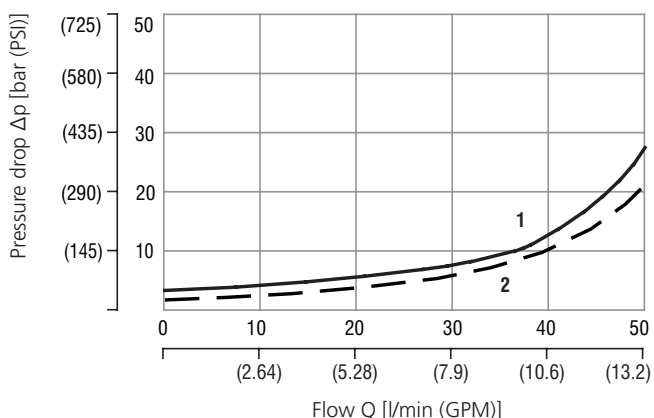
Valve size / Cartridge cavity		M20x1.5 / Q3
Max. flow	l/min (GPM)	30 (7.9)
Max. load induced pressure	bar (PSI)	270 (3920)
Max. relief pressure	bar (PSI)	350 (5080)
Fluid temperature range	°C (°F)	-20 ... +90 (-4 ... +194)
Pilot ratio		5:1
Internal Leakage	mil/min	0.3 nominal (5 drops per min)
Max. degree of fluid contamination	ISO 4406	Class 21/18/13
Mass	kg (lbs)	0.15 (0.33)

		Datasheet	Type
General information		GI_0060	Products and operating conditions
Valve bodies	In-line mounted	SB_0018	SB-Q3*
	Sandwich mounted	SB-04(06)_0028	SB-*Q3*
Cavity details		SMT_0019	SMT-Q3*
Spare parts		SP_8010	

Characteristics measured at $v = 40 \text{ mm}^2/\text{s}$ (195 SUS)

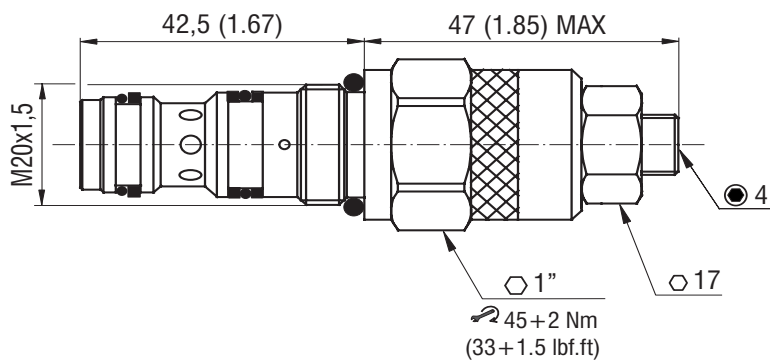
Pressure drop related to flow rate

Pilot ratio 5:1



Flow	
1	free flow (2→1)
2	pilot open (1→2)

Dimensions in millimeters (inches)



Ordering Code

SOB5A-Q3 / I		-	-	-	-	-
Overcentre valve, fully balanced, atmospheric vent	M20x1.5					
Pilot ratio	standard	5:1	5			
Relief pressure range	100 - 350 bar (1450 - 5080 PSI)		35			
						Factory setting [bar @ l/min] 210/4,8 210 bar at 4.8 l/min
					A	Surface treatment zinc-coated (ZnCr-3), ISO 9227 (240 h)
					No designation V	Seals NBR FPM (Viton)