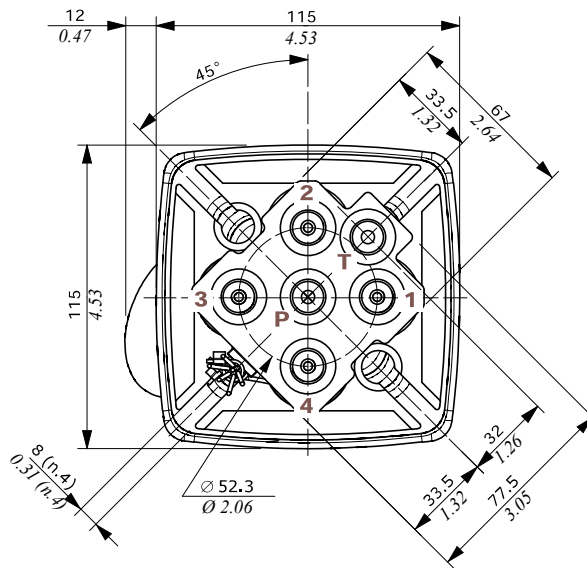
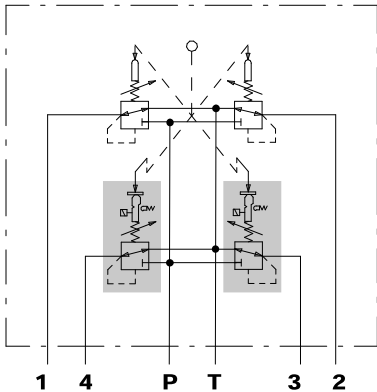


Dimensions and hydraulic circuit

hydraulic circuit
Example detent on working ports 3 e 4

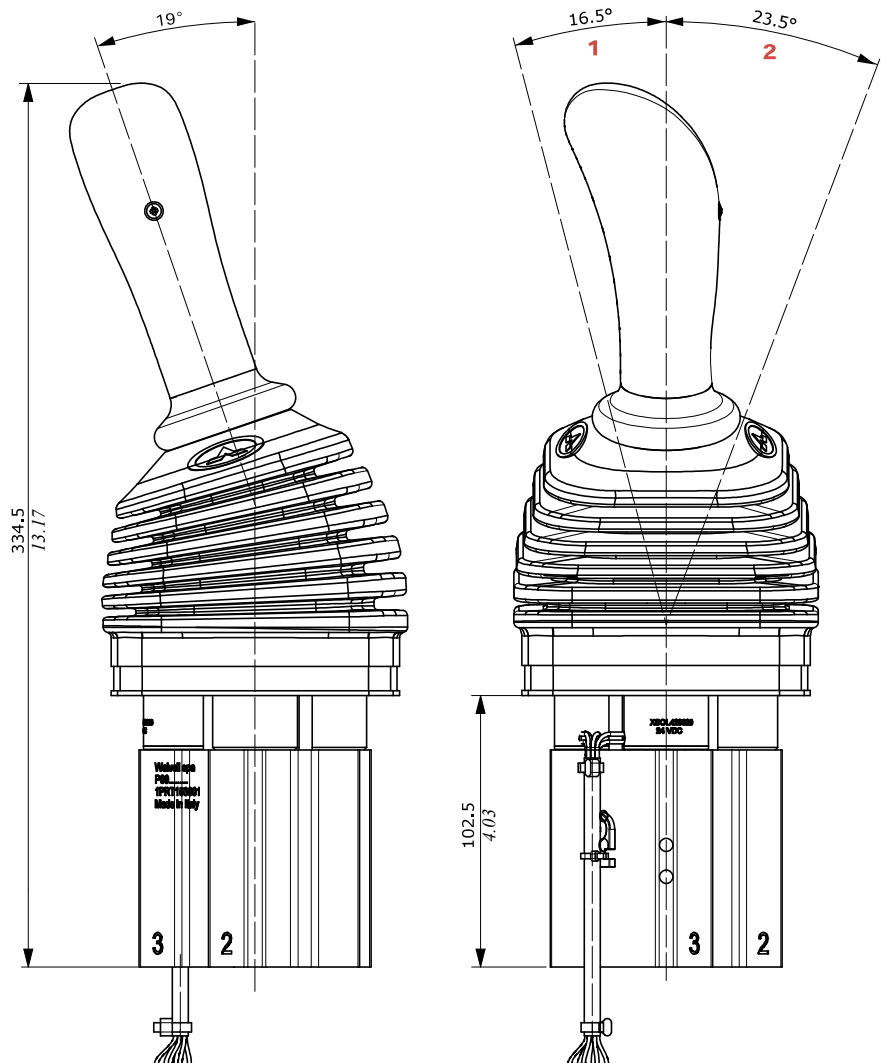


1 : Single work port
2 : Two simultaneous work ports

Features

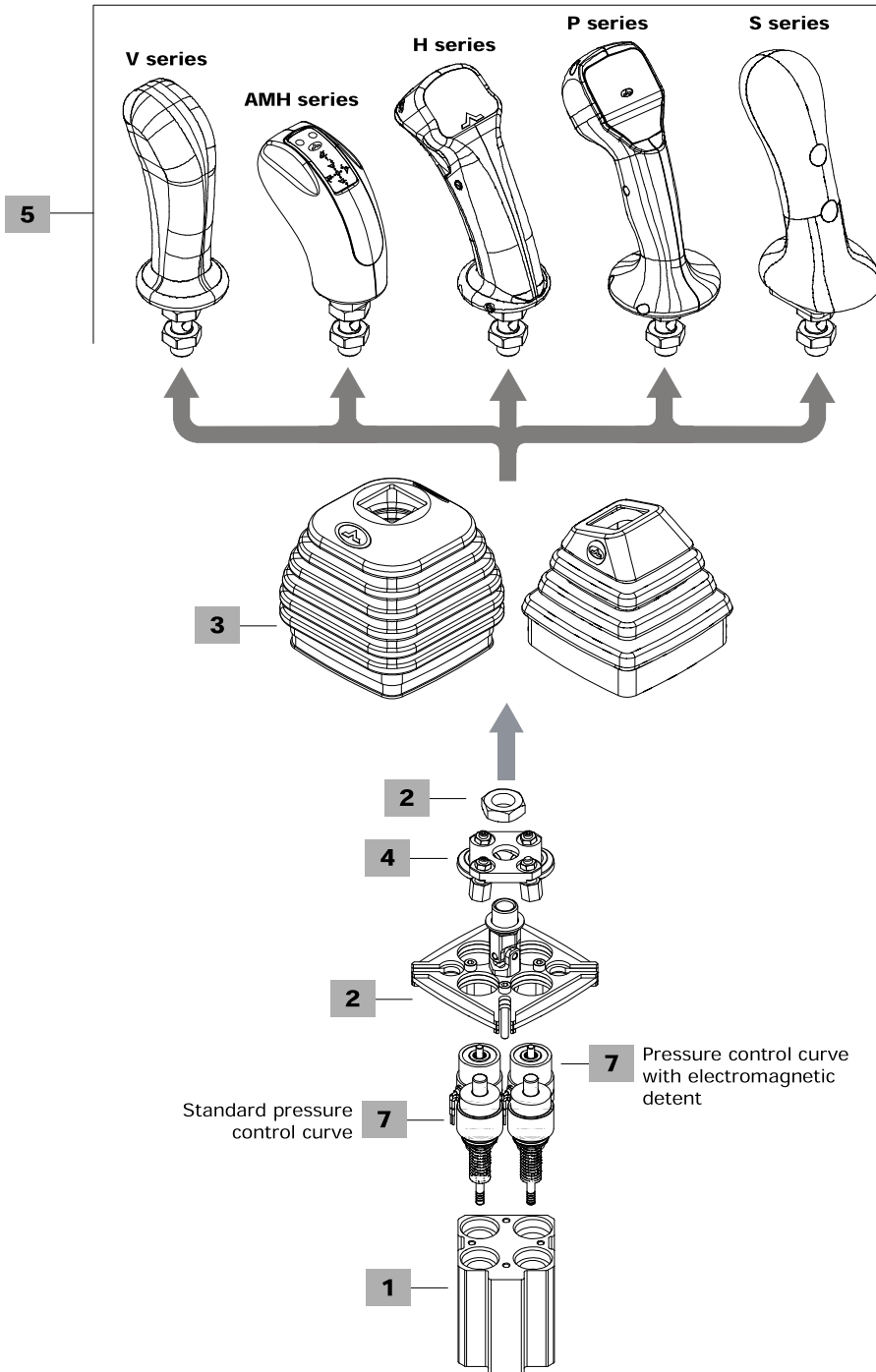
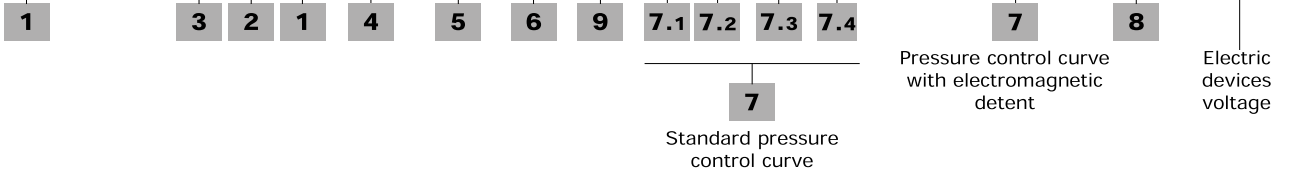
ELECTROMAGNET

- Nominal voltage tolerance. : $\pm 10\%$
- Power rating. : 8.2 W
- Nominal current : 0.69 A - 12 VDC
 : 0.345 A - 24 VDC
- Coil insulation : Class H
- Weather protection : IP65
- Insertion : 100%



Ordering codes

SVM450-EMD(3-4) / 8N 1 - B / 01N - V007 (....) (....) - A 0 020 M-.....-E0020NM - (....) - 12VDC



1 Body kit *

TYPE: SVM450-EMD(4)/B	CODE: 3CO3450303
DESCRIPTION: With detent arrangement on port 4	
TYPE: SVM450-EMD(3-4)/B	CODE: 3CO3450301
DESCRIPTION: With detent arrangement on ports 3 and 4	
TYPE: SVM450-EMD(2-3-4)/B	CODE: 3CO3450302
DESCRIPTION: With detent arrangement on ports 2, 3 and 4	

2 Flange kit

TYPE	CODE	DESCRIPTION
1	5FLA410045	Flange

3 Rubber bellow

TYPE	CODE	DESCRIPTION
8N	3SOF115115	Universal type, square base with logo
3	3SOF111111	Sloping type, square base with logo; only for 19° sloping handles

4 Detent configuration**With spring return in neutral position**

TYPE	CODE	DESCRIPTION
01N(1D)	5CIN8011ND	Kinematic kit arranged for 1 detent
01N(2D)	5CIN8012ND	Kinematic kit arranged for 2 detent
01N(3D)	5CIN8013ND	Kinematic kit arranged for 3 detent

NOTE: The text between () can be omitted from description of composition

5 Handles

Some handles as examples are listed below: for technical specifications and full range of handles and other types of joint see the "Handles and hand levers" catalogue.

V series handle

TYPE: **V007** CODE: 5IMP030070
DESCRIPTION: Without switches with sloping 19° left joint

S series handle

TYPE: **SZTA8-0G4045-XG122045**
CODE: 2IM5310003
DESCRIPTION: 1 proportional roller and front push button, with sloping 19° right joint

6 Handle position

TYPE	DESCRIPTION
(-)	Standard configuration, operation to work port 4: omitted in description
(90)	Mounted with 90° rotation step: operation to work port 1
(180)	Mounted with 180° rotation step: operation to work port 2
(270)	Mounted with 270° rotation step: operation to work port 3

7 Pressure control curves

PFor list available see from page 51

7.1 Curve type

TYPE	DESCRIPTION
A	Without pre-feeling, without solenoid
B	With pre-feeling, without solenoid
C	With solenoid 24VDC and pre-feeling
D	With solenoid 24VDC, without pre-feeling
E	With solenoid 12VDC, with pre-feeling
F	With solenoid 12VDC, without pre-feeling
G	With solenoid 24VDC and pre-feeling after step

7.2 Typology of curves

TYPE	DESCRIPTION
0	With step
1	Without step

7.3 Curve identification

Progressive number, see tables from page 51

7.4 Return springs

TYPE	DESCRIPTION
M	Operation range from 18 to 25.5 N - <i>from 4.04 to 5.73 lbf</i>
A	Operation range from 23 to 35.2 N - <i>from 5.17 to 7.91 lbf</i>
B	Operation range from 23 to 68.1 N - <i>from 5.17 to 15.31 lbf</i>
C	Operation range from 89 to 176 N - <i>from 20 to 39.56 lbf</i>
D	Operation range from 110 to 220 N - <i>from 24.73 to 49.46 lbf</i>
E	Operation range from 138 to 276 N - <i>from 31 to 62.04 lbf</i>

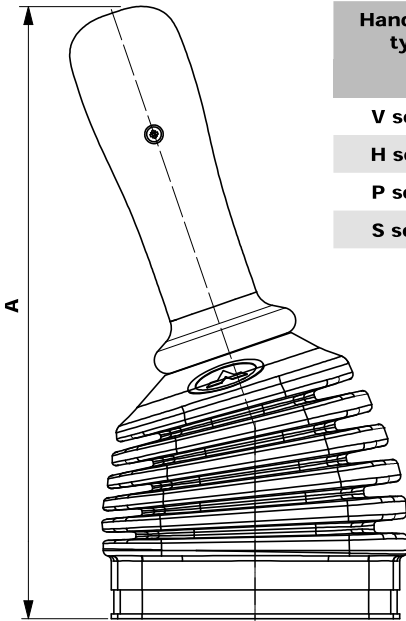
8 Connector

Configurations with detent or microswitch are provided with wires with tin-plate terminals. For connectors please contact our Sales Department.

NOTE (*) – Codes are referred to **BSP** thread.

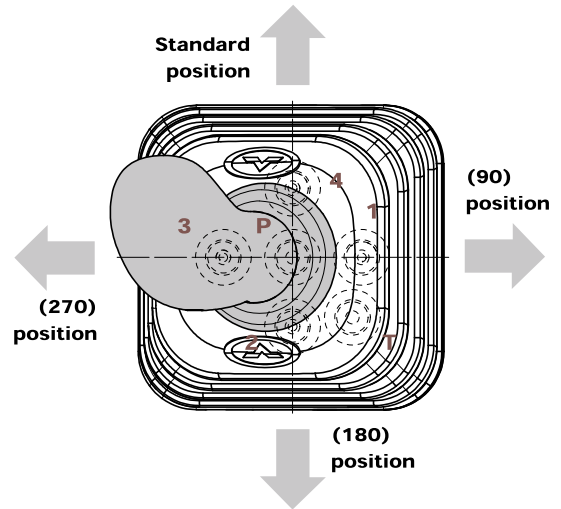
Configuration option

Handle option



Handlever type	A	
	mm	in
V series	232	9.13
H series	250	9.84
P series	268	10.55
S series	266	10.47

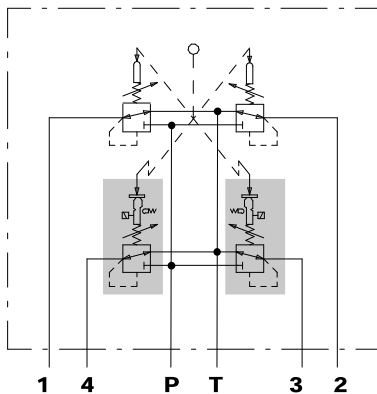
Handle positions



Detent configuration

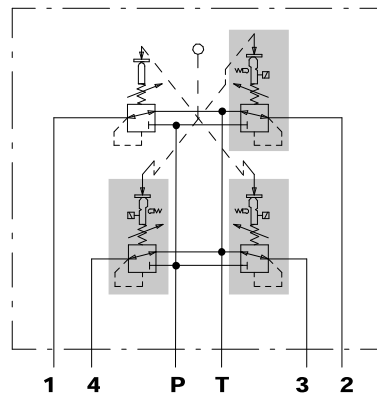
01/2D type

Detent on ports 3 and 4, with spring return



01/3D type

Detent on ports 2, 3 and 4 with spring return



Dimensions and circuit hydraulic

Hydraulic circuit

Example detent on working ports 3, 4 and 6

