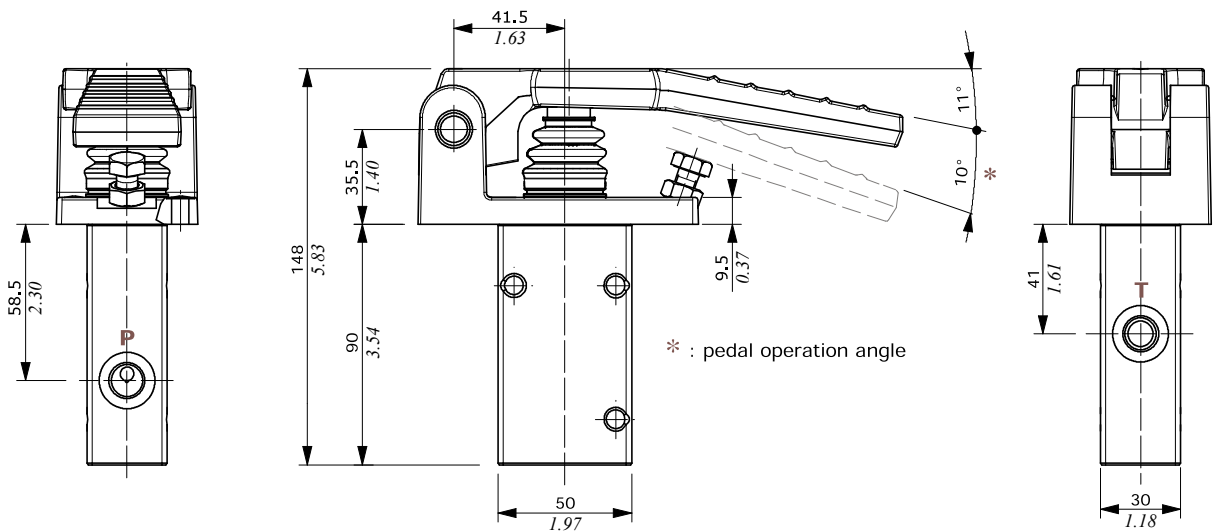
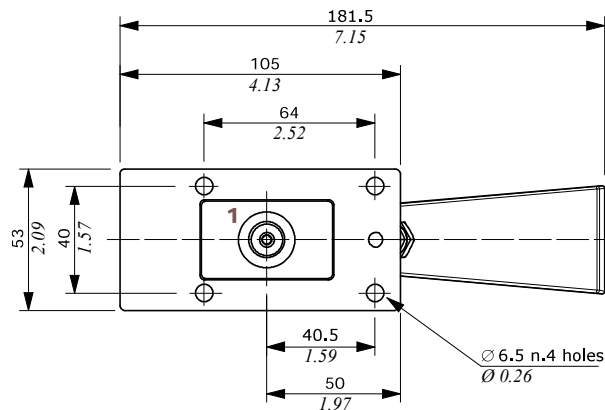
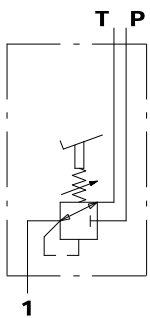


Dimensions and hydraulic circuit

SVM510 version

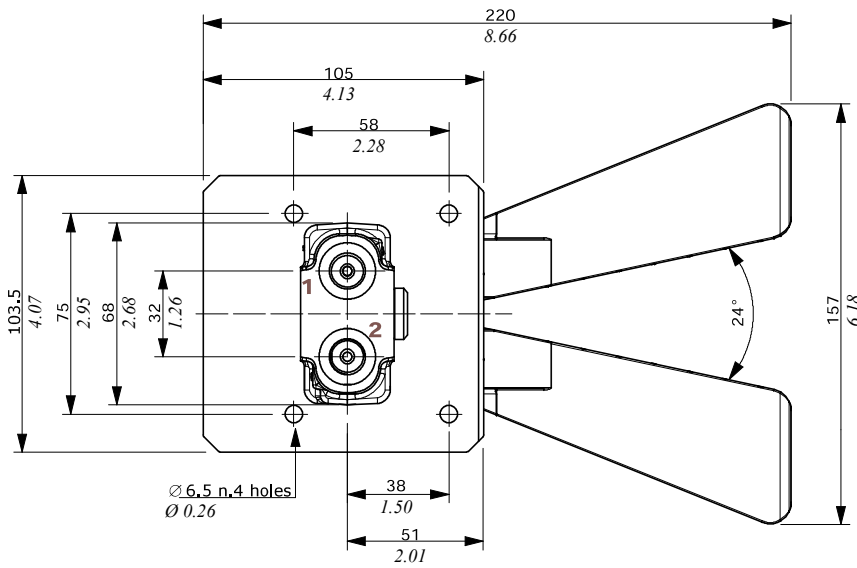
Hydraulic circuit



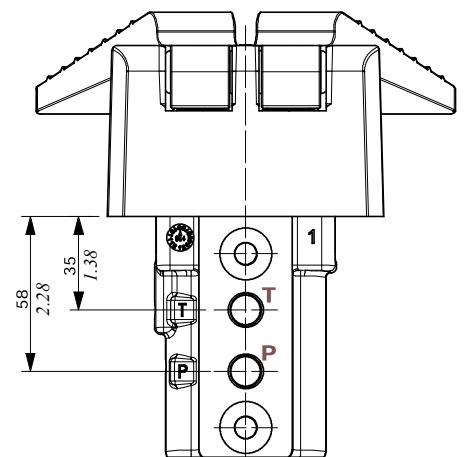
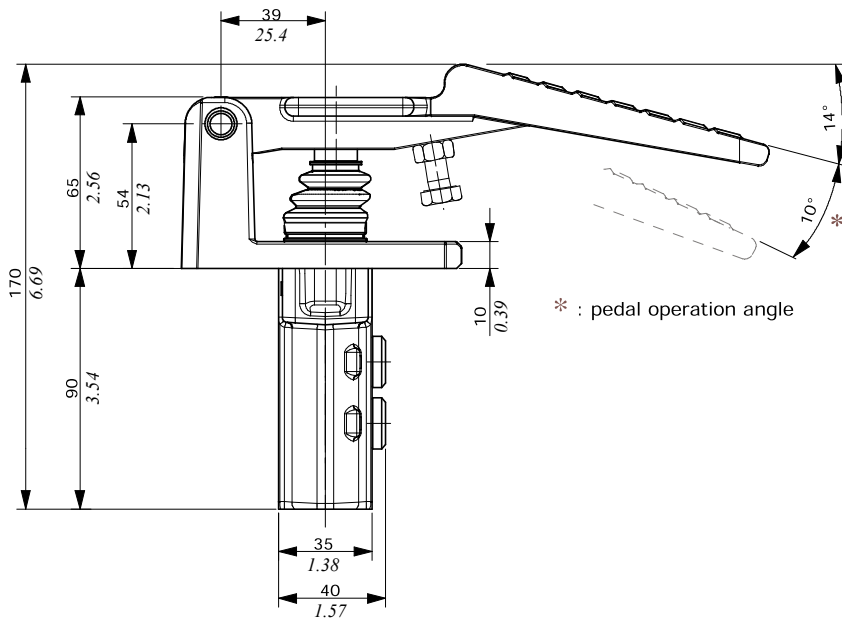
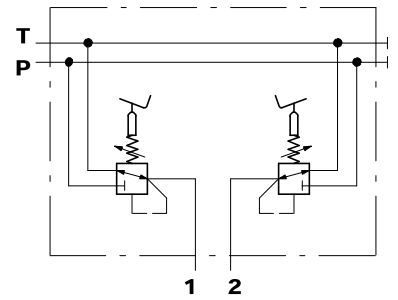
Dimensions and hydraulic circuit

SVM520 version

Configuration with side P and T ports.



Hydraulic circuit

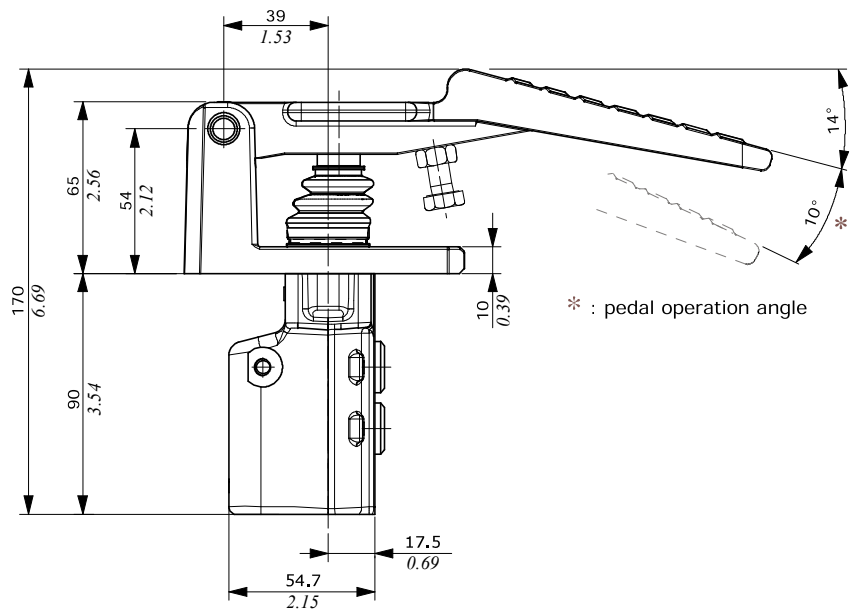
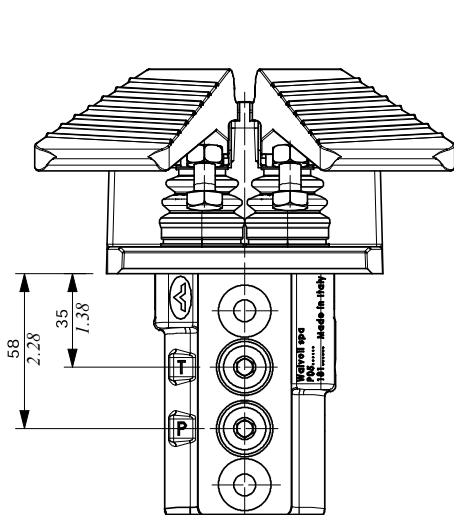
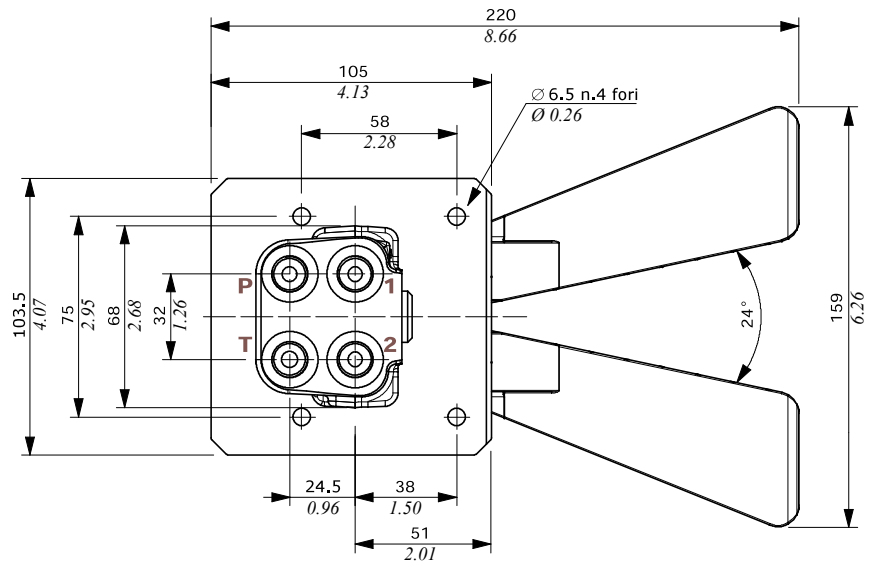
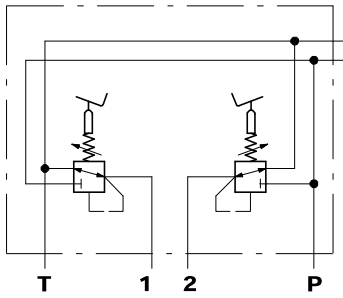


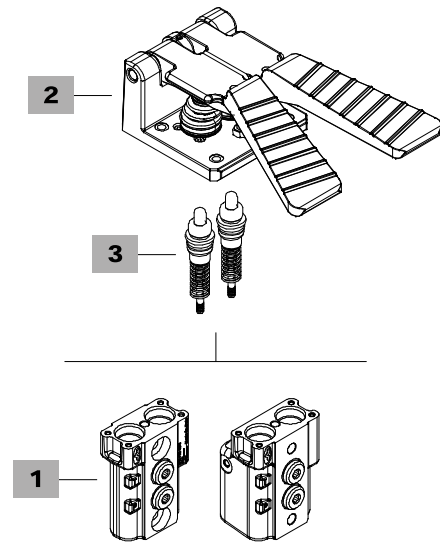
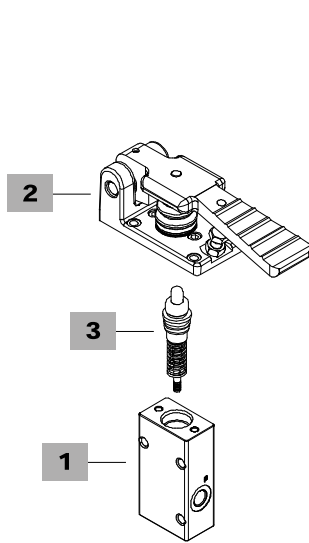
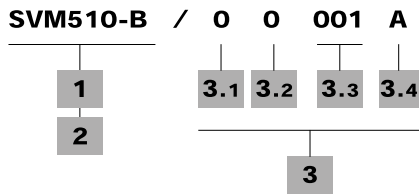
Dimensions and hydraulic circuit

SVM521 version

Configuration with bottom P and T ports.

Hydraulic circuit





1 Body kit *

TYPE	CODE	DESCRIPTION
SVM510-B	3CO3710300	Single pedal configuration
SVM520-B	3CO3122300	Double pedal configuration with side P and T ports
SVM521-B	3CO3122310	Double pedal configuration with bottom P and T ports

2 Operating pedal

TYPE	CODE	DESCRIPTION
SVM510	5CIN5003	Single pedal operating kit
SVM520-521	5CIN5002	Double pedal operating kit

3 Pressure control curves

For configuration and list available see from page 72

3.1 Curve type

TYPE	DESCRIPTION
0	Standard

3.2 Typology of curves

TYPE	DESCRIPTION
0	With step
1	Without step

3.3 Curve identification

Progressive number, see tables from page 72

3.4 Return springs

TYPE	DESCRIPTION
M	Operation range from 18 to 25.5 N - <i>from 4.04 to 5.73 lbf</i>
A	Operation range from 23 to 35.2 N - <i>from 5.17 to 7.91 lbf</i>
B	Operation range from 23 to 68.1 N - <i>from 5.17 to 15.31 lbf</i>
C	Operation range from 89 to 176 N - <i>from 20 to 39.56 lbf</i>
D	Operation range from 110 to 220 N - <i>from 24.73 to 49.46 lbf</i>
E	Operation range from 138 to 276 N - <i>from 31 to 62.04 lbf</i>

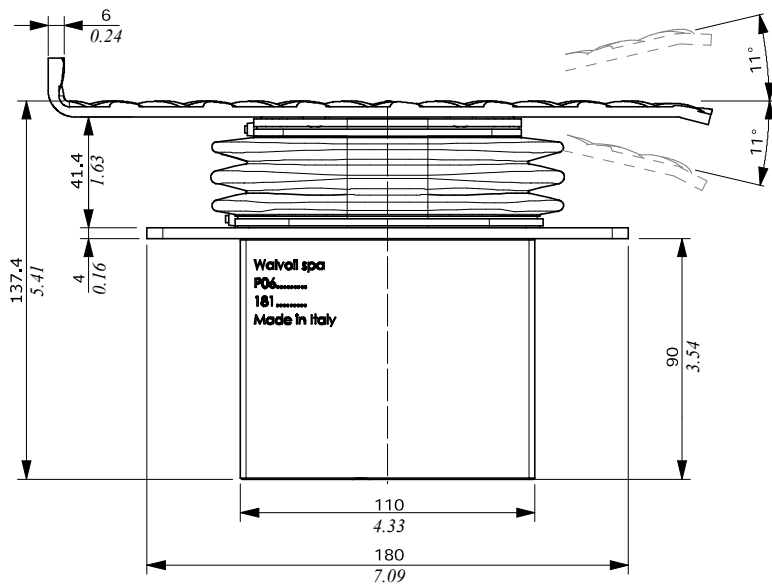
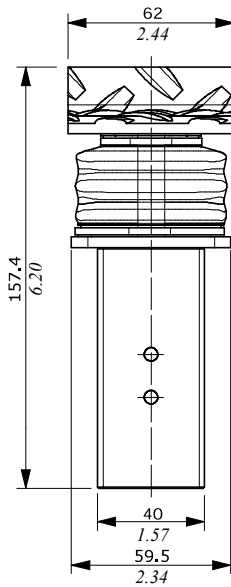
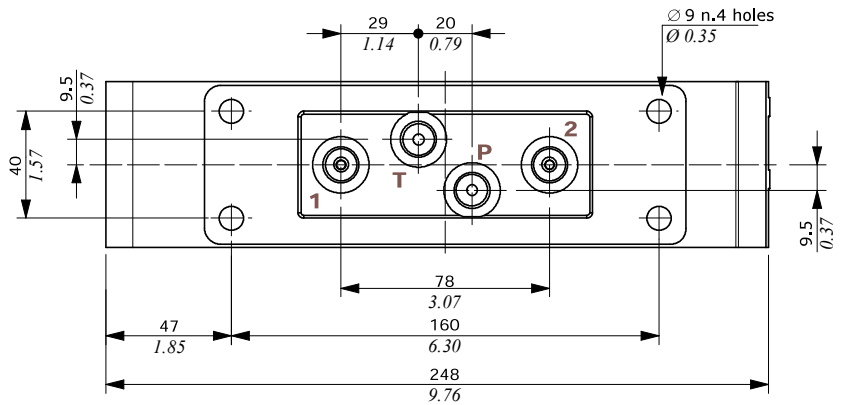
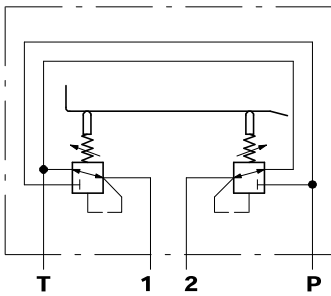
NOTE (*) – Codes are referred to **BSP** thread.

Dimensions and hydraulic circuit

SVM500 version

Configuration with lower ports.

Hydraulic circuit



Walvoil spa
P06.....
181.....
Made in Italy