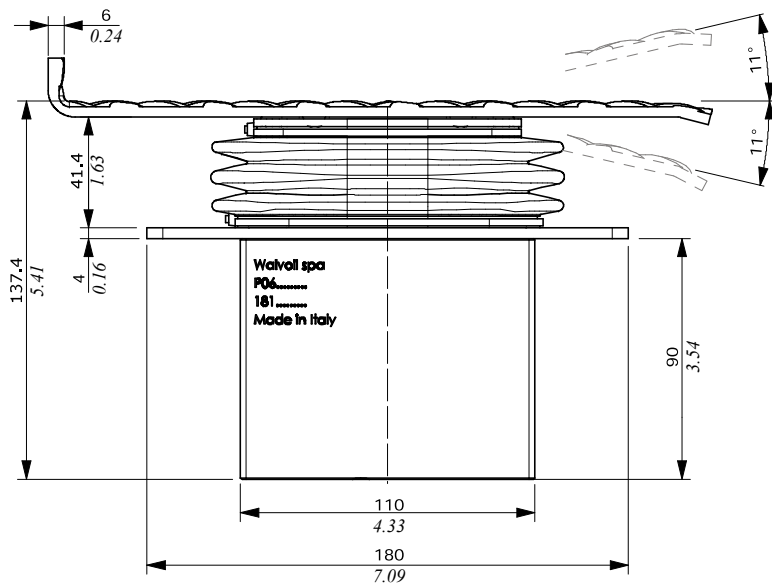
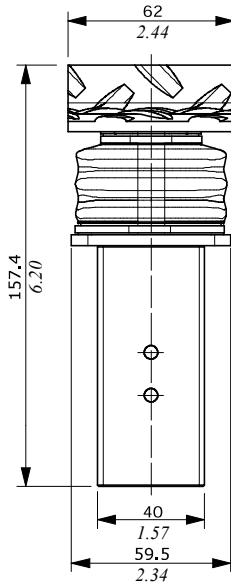
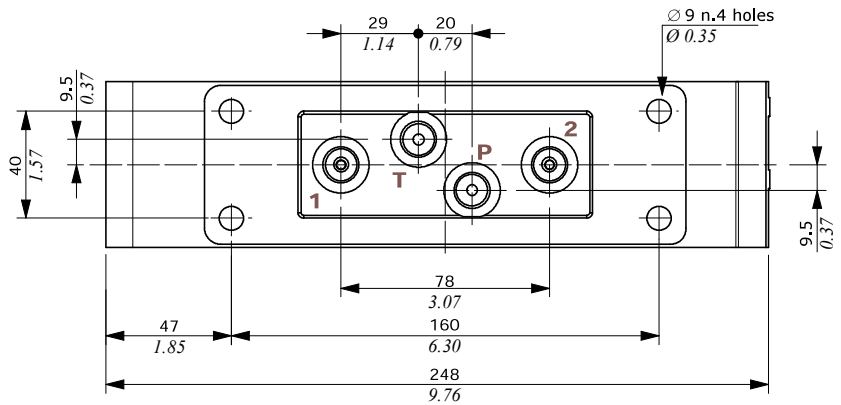
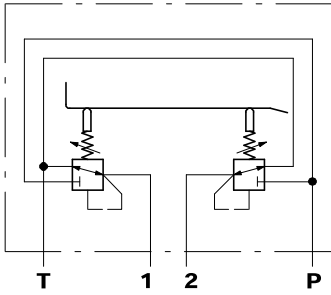


### Dimensions and hydraulic circuit

#### SVM500 version

Configuration with lower ports.

Hydraulic circuit

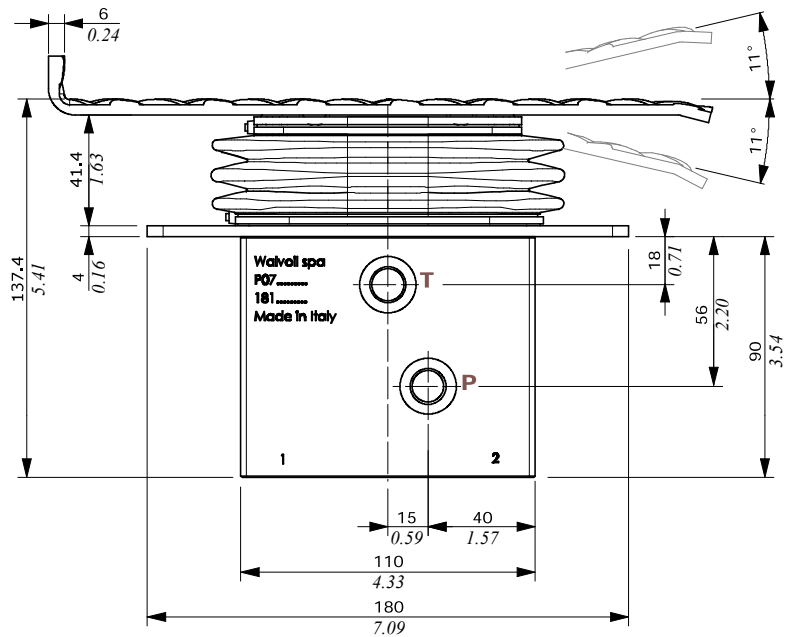
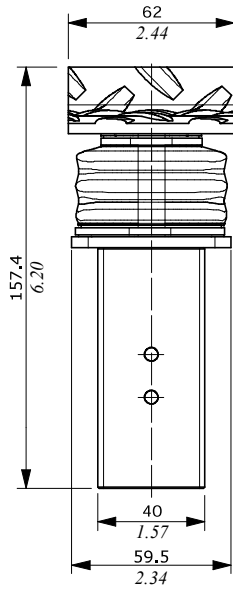
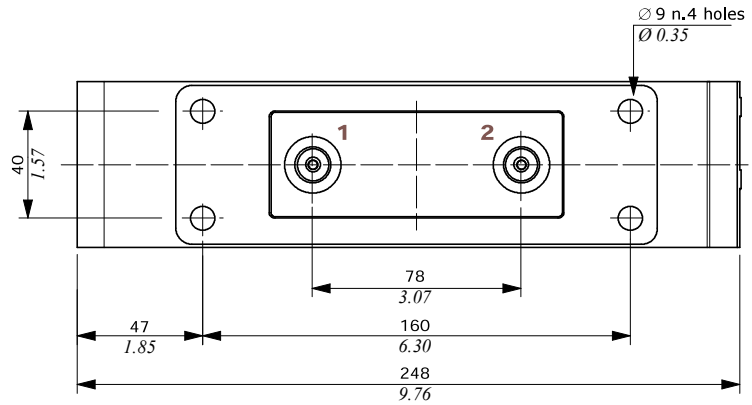
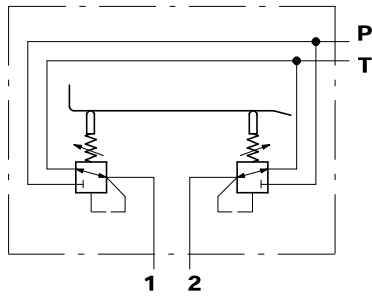


Dimensions and hydraulic circuit

SVM502 version

Configuration with side P and T ports, lower 1 and 2 ports.

Hydraulic circuit



### Ordering codes

SVM500-B / 01 S - 0 0 001 A x 2

1

2

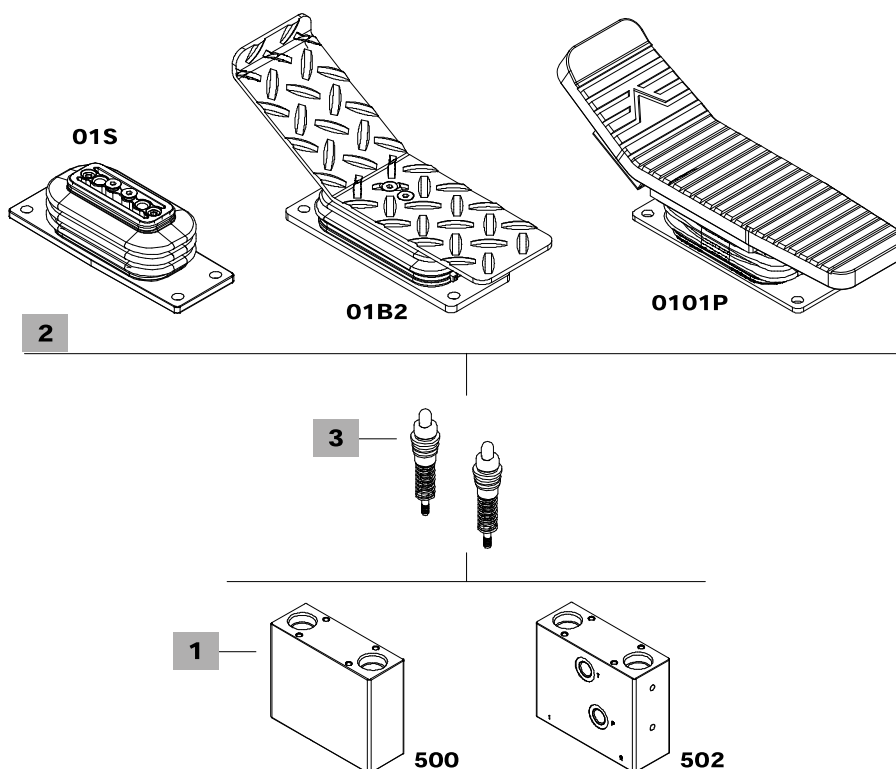
3.1

3.2

3.3

3.4

3



#### 1 Body kit \*

TYPE	CODE	DESCRIPTION
<b>SVM500-B</b>	3CO3510300	Configuration with lower ports
<b>SVM502-B</b>	3CO3510320	Configuration with side P and T ports, lower 1 and 2 ports

#### 2 Pedal control options page 63

TYPE	CODE	DESCRIPTION
<b>01S</b>	5CIN5001S	With spring return in neutral position and with rubber bellow, without pedal
<b>01F</b>	5CIN5001F	As 01S flat pedal
<b>01B1</b>	5CIN5001B1	As 01S 154° bent pedal
<b>01B2</b>	5CIN5001B2	As 01S 150° bent pedal
<b>0101P</b>	5CIN500101P	As type 01S with 150° bent pedal and anti-slip rubber coating
<b>0102P</b>	5CIN500102P	As type 01S with 150° bent and 30° tilted pedal, short type; anti-slip rubber coating
<b>0103P</b>	5CIN500103P	s type 01S with 150° bent and 30° tilted pedal, long type; anti-slip rubber coating

#### 3 Pressure control curves

For configuration and list available see from page 72

#### 3.1 Curve type

TYPE	DESCRIPTION
<b>0</b>	Standard
<b>D</b>	With Damping

#### 3.2 Typology of curves

TYPE	DESCRIPTION
<b>0</b>	With step
<b>1</b>	Without step

#### 3.3 Curve identification

Progressive number, see tables from page 72

#### 3.4 Return springs

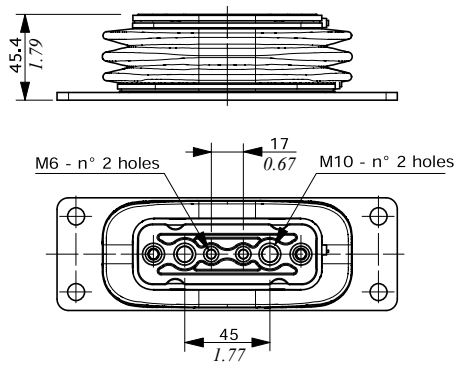
TYPE	DESCRIPTION
<b>M</b>	Operation range from 18 to 25.5 N - <i>from 4.04 to 5.73 lbf</i>
<b>A</b>	Operation range from 23 to 35.2 N - <i>from 5.17 to 7.91 lbf</i>
<b>B</b>	Operation range from 23 to 68.1 N - <i>from 5.17 to 15.31 lbf</i>
<b>C</b>	Operation range from 89 to 176 N - <i>from 20 to 39.56 lbf</i>
<b>D</b>	Operation range from 110 to 220 N - <i>from 24.73 to 49.46 lbf</i>
<b>E</b>	Operation range from 138 to 276 N - <i>from 31 to 62.04 lbf</i>

NOTE (\*) – Codes are referred to **BSP** thread.

Control options

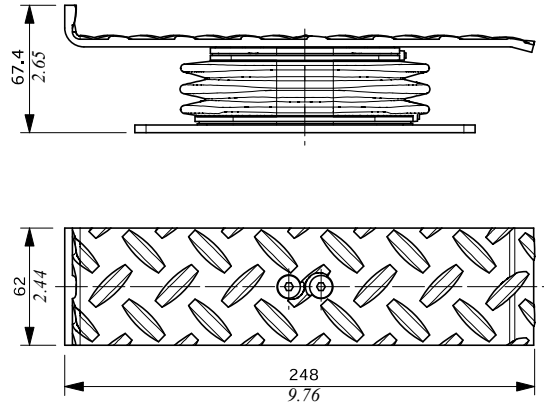
**01S type**

With spring return in neutral position, without pedal.



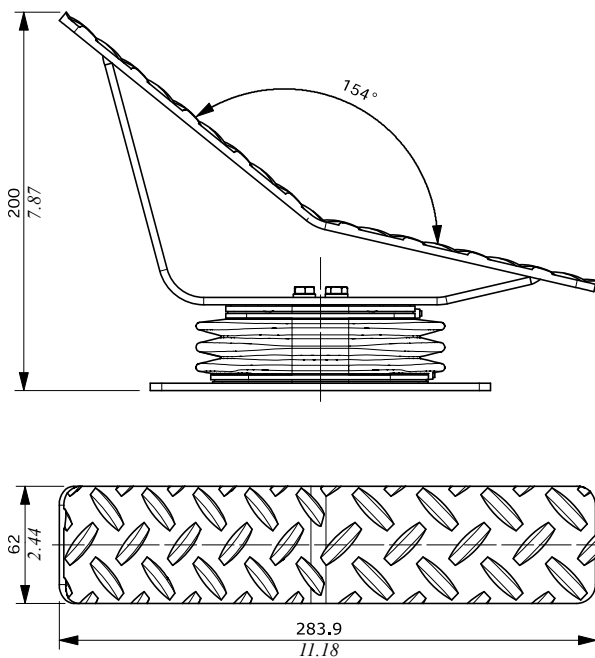
**01F type**

With spring return in neutral position.  
Flat pedal with corrugated sheet, white galvanized.



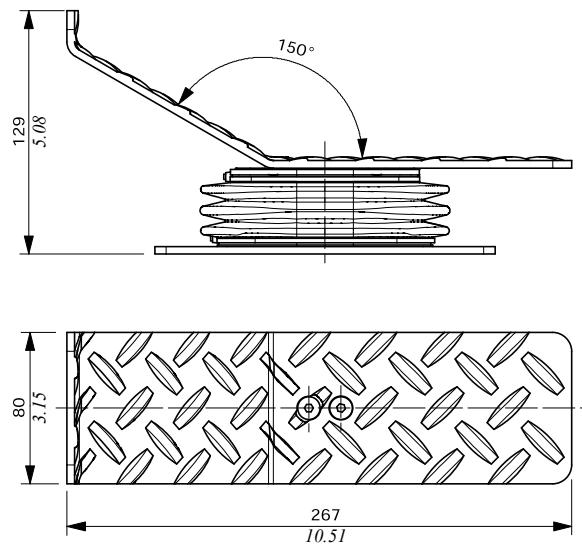
**01B1 type**

With spring return in neutral position.  
Profiled pedal with corrugated sheet, white galvanized.



**01B2 type**

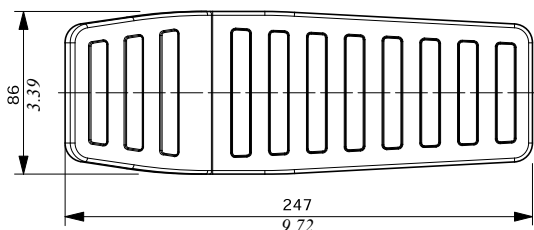
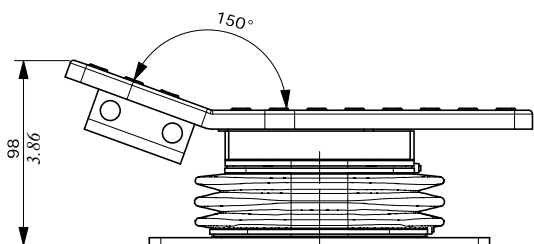
With spring return in neutral position.  
Profiled pedal with corrugated sheet, white galvanized.



### Control options

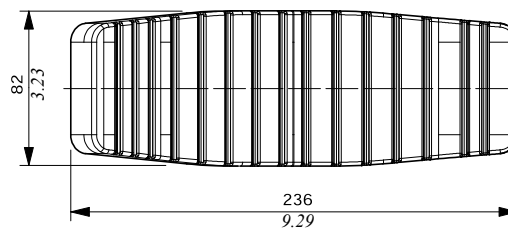
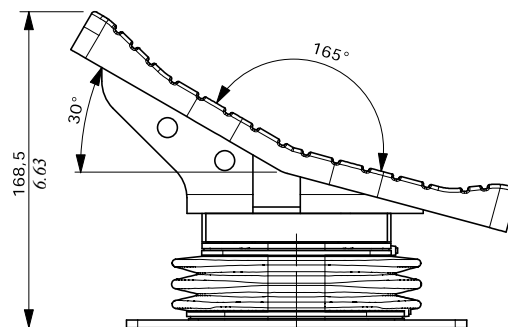
#### 0101P type

With spring return in neutral position.  
Flat and shaped pedal with anti-slip rubber coating.



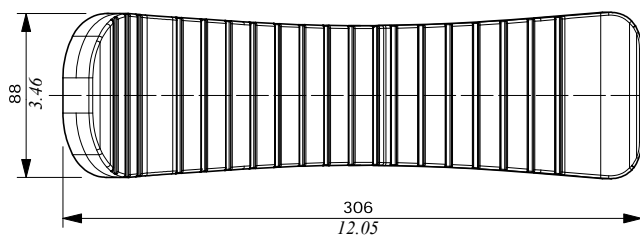
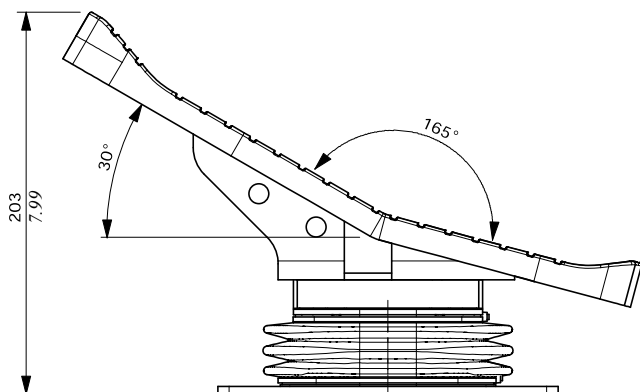
#### Tipo 0102P

With spring return in neutral position.  
Tilted and shaped pedal with anti-slip rubber coating, short model.



#### 0103P type

With spring return in neutral position.  
Tilted and shaped pedal with anti-slip rubber coating, long model.



Dimensions and hydraulic circuit

SVM540

Double pedal configuration provided of damping system for swing reduction.

Hydraulic circuit

