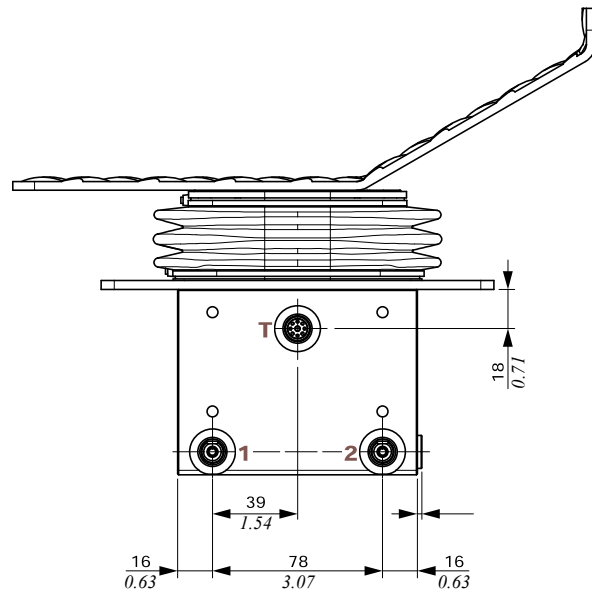
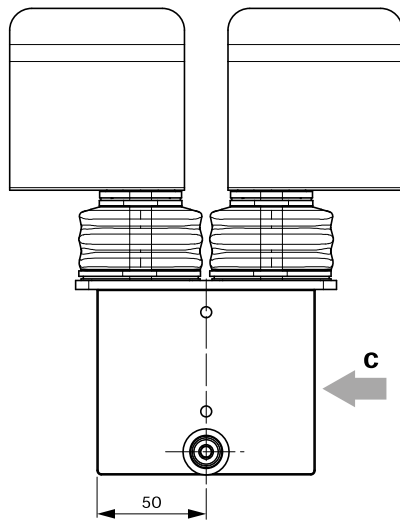


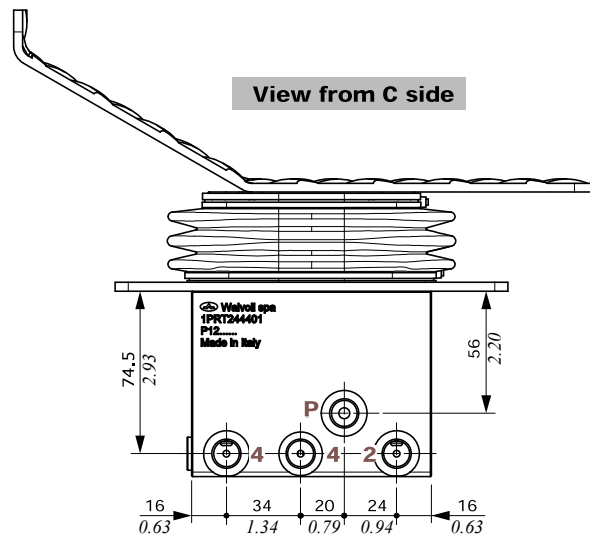
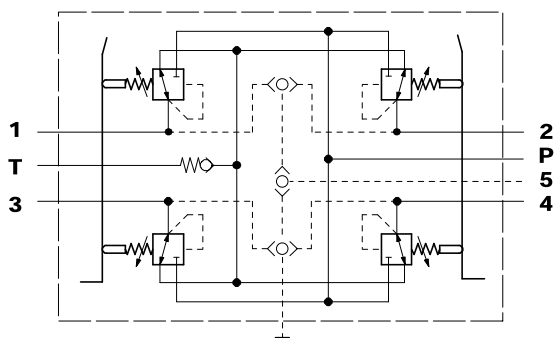
Dimensions and hydraulic circuit

SVM546

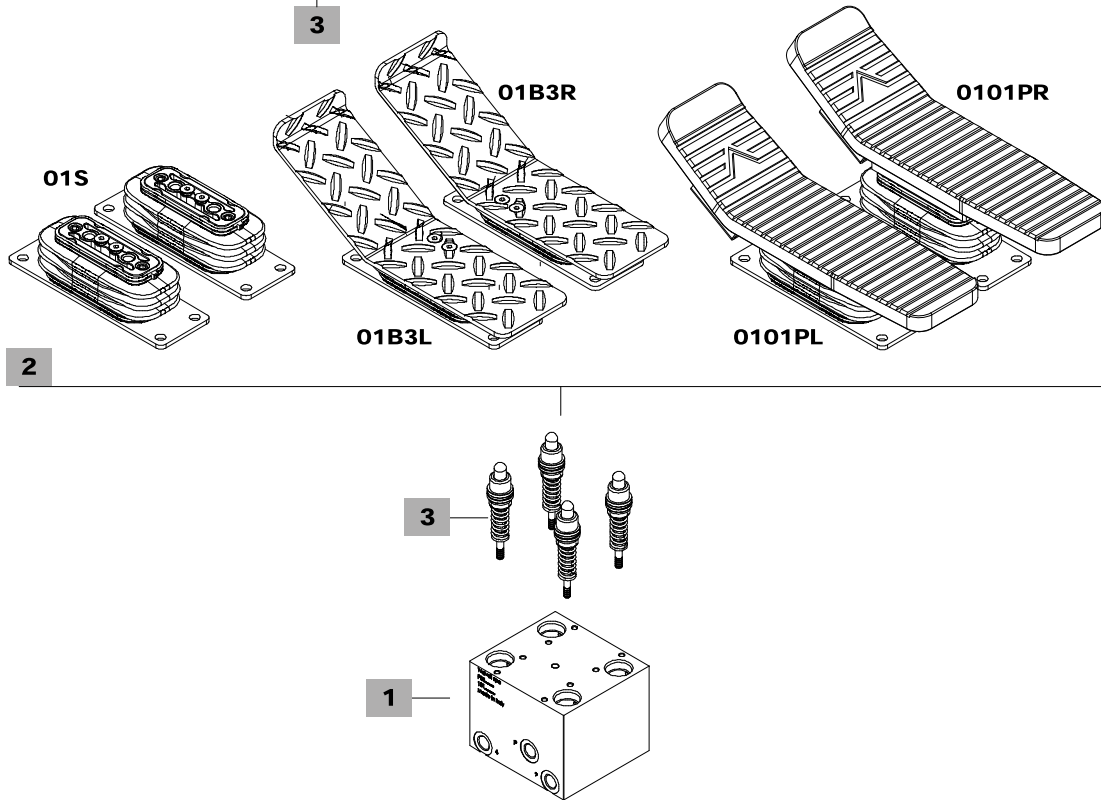
Double pedal configuration provided of damping system for swing reduction, with shuttle valves and auxiliary port.



Hydraulic circuit



SVM540-B / 01 B3L - D 0 006N C X 2 / 01 B3R - D0006NC X 2 - VR
 1 2 3.1 3.2 3.3 3.4 2 3 check valve (always present)



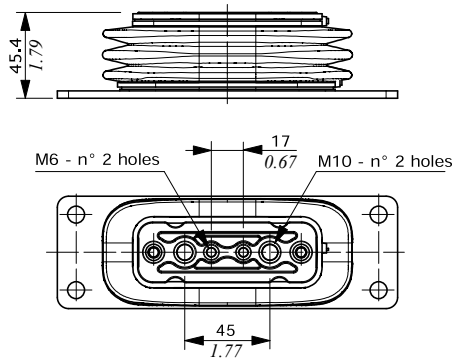
1 Body kit *			3 Pressure control curves		
TYPE	CODE	DESCRIPTION	For configuration and list available see from page 72		
SVM540-B	5CO3540300	Pilot control valve body with check valve			
SVM546-B	5CO3546300A	Pilot control valve body with check valve, shuttle valves and auxiliary port			
2 Control options page 68			3.1 Curve type		
TYPE	CODE	DESCRIPTION	TYPE	DESCRIPTION	
01S	5CIN5001S	With spring return in neutral position and with rubber bellow, without pedal	0	Standard	
01B3L	5CIN5001B3L	As type 01S with 150° bent left pedal	D	With Damping	
01B3R	5CIN5001B3R	As previous, right pedal	3.2 Typology of curves		
0101PL	5CIN500101PL	As type 01S with 150° bent left pedal and anti-slip rubber coating	TYPE	DESCRIPTION	
0101PR	5CIN500101PR	As previous, right pedal	0	With step	
0102PL	5CIN500102PL	As type 01S with 150° bent and 30° tilted left pedal, short type; anti-slip rubber coating	1	Without step	
0102PR	5CIN500102PR	As previous, right pedal	3.3 Curve identification		
0103PL	5CIN500103PL	As type 01S with 150° bent and 30° tilted left pedal, long type; anti-slip rubber coating	Progressive number, see tables from page 72		
0103PR	5CIN500103PR	As previous, right pedal	3.4 Return springs		
			TYPE	DESCRIPTION	
			M	Operation range from 18 to 25.5 N - <i>from 4.04 to 5.73 lbf</i>	
			A	Operation range from 23 to 35.2 N - <i>from 5.17 to 7.91 lbf</i>	
			B	Operation range from 23 to 68.1 N - <i>from 5.17 to 15.31 lbf</i>	
			C	Operation range from 89 to 176 N - <i>from 20 to 39.56 lbf</i>	
			D	Operation range from 110 to 220 N - <i>from 24.73 to 49.46 lbf</i>	
			E	Operation range from 138 to 276 N - <i>from 31 to 62.04 lbf</i>	

NOTE (*) – Codes are referred to **BSP** thread.

Control options

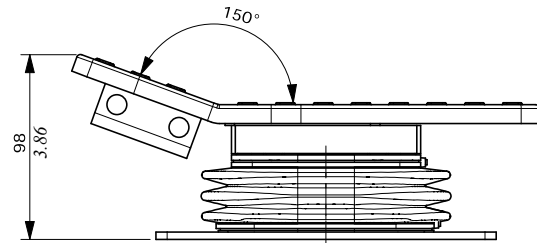
01S type

With spring return in neutral position without pedal.

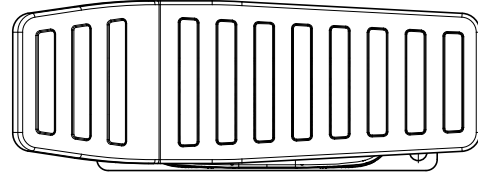


0101P type

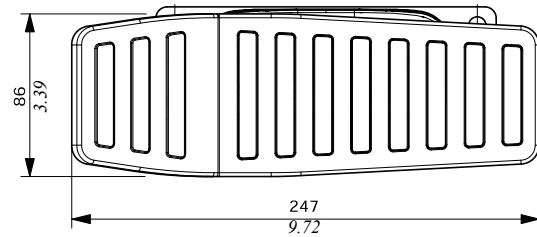
With spring return in neutral position.
Flat and shaped pedal with anti-slip rubber coating.



Right pedal 0101PR type

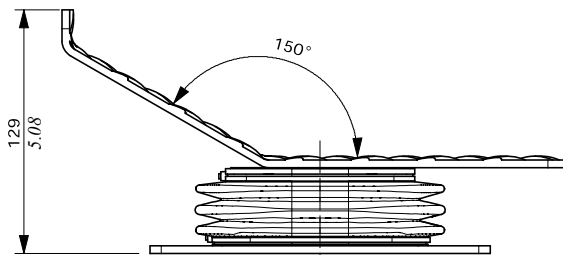


Left pedal 0101PL type

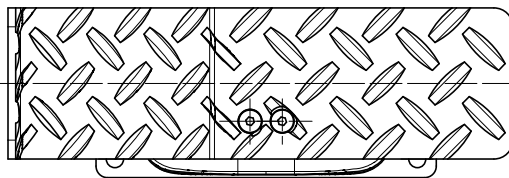


01B3 type

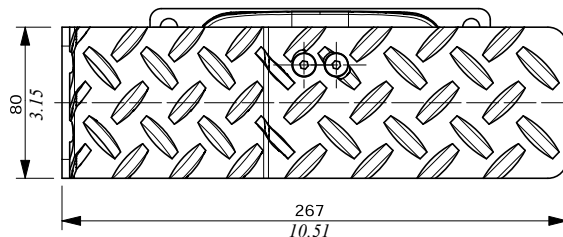
With spring return in neutral position.
Flat and shaped pedal with corrugated sheet, white galvanized.



Right pedal 01B3R type



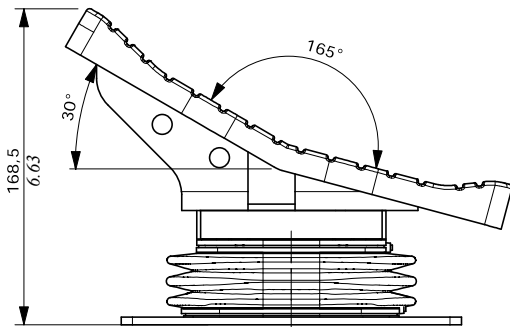
Left pedal 01B3L type



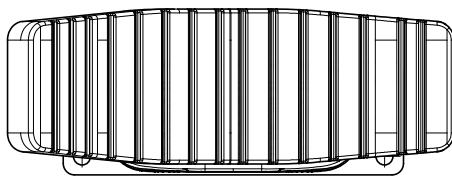
Control options

0102P type

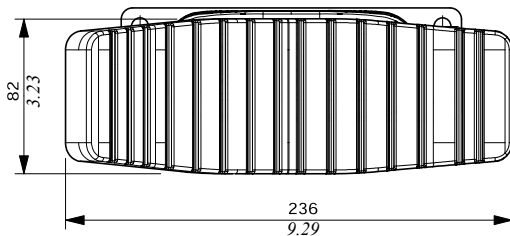
With spring return in neutral position.
Tilted and shaped pedal with anti-slip rubber coating, short model



Right pedal 0102PR type

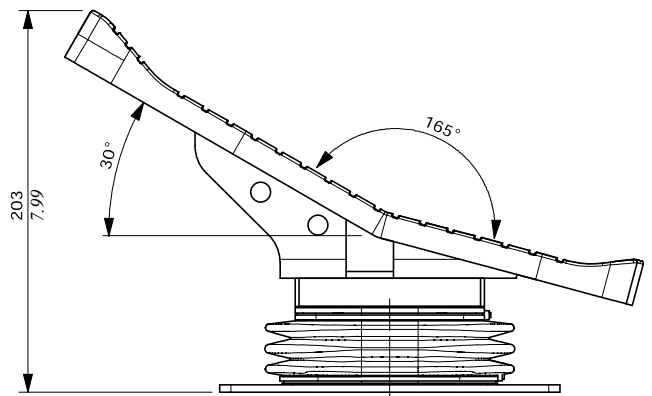


Left pedal 0102PL type

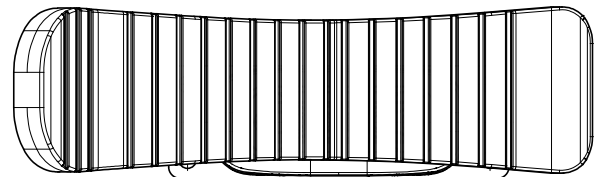


0103P type

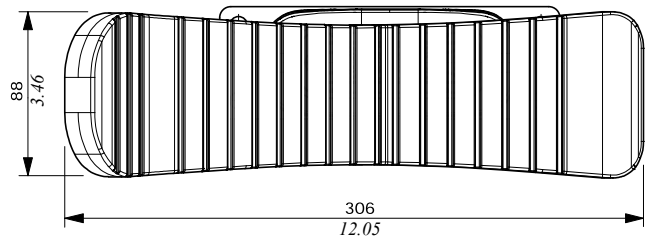
With spring return in neutral position.
Tilted and shaped pedal with anti-slip rubber coating, long model



Right pedal 0103PR type



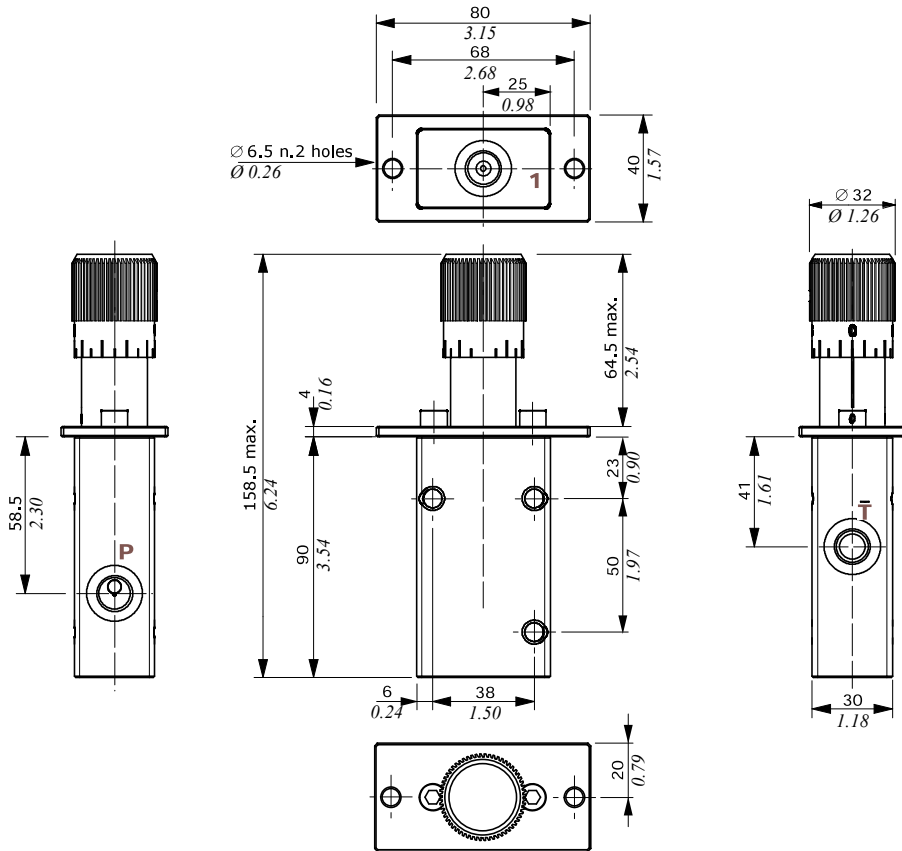
Left pedal 0103PL type



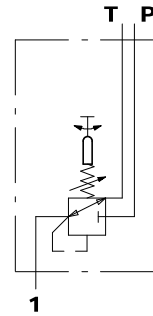
Dimension and hydraulic circuit

SVM701 version

Configuration with handweel operating.

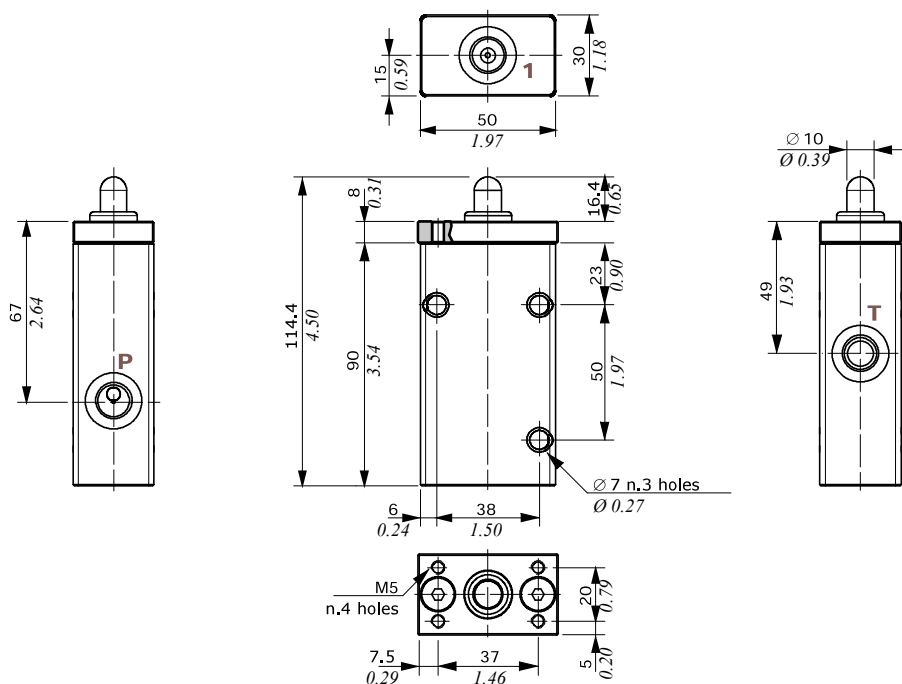


Hydraulic circuit



SVM710 version

Configuration with pusher operating.



Hydraulic circuit

