

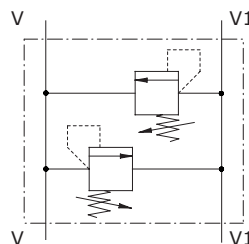
Type VBDC..35 - VBDC..80 pressure relief valves

- Dual cross relief valve

Technical specifications and diagrams are measured with mineral oil of 46 cSt viscosity at 40°C (104°F) temperature.

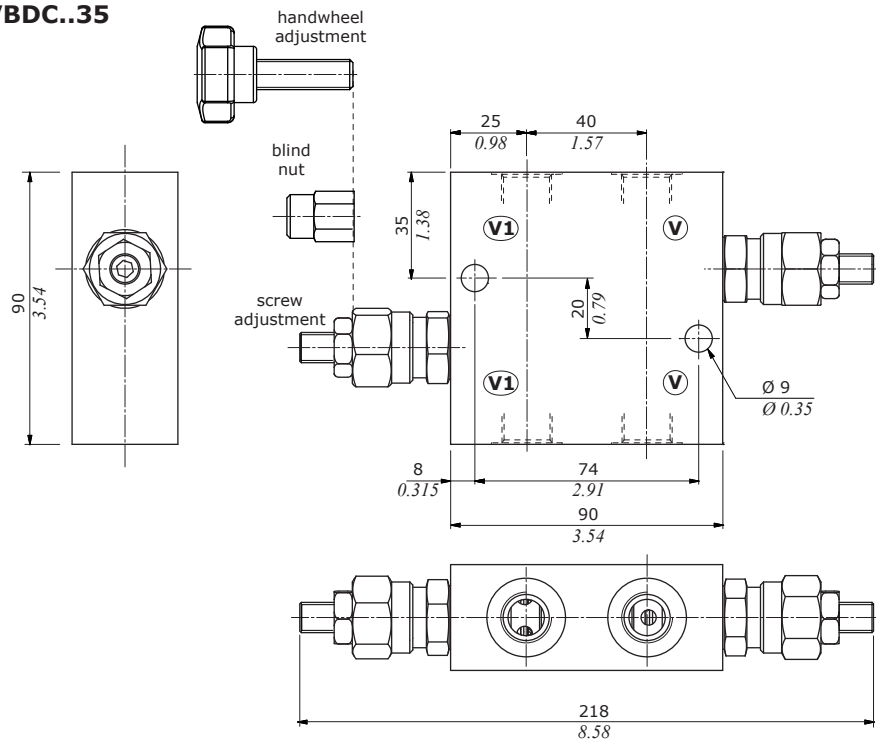
| | VBDC..3502 | VBDC..3503 | VBDC..8003 | VBDC..8004 | |
|--|--|-----------------------|----------------------|----------------------|-------------------|
| Nominal flow | 35 l/min (9.2 US gpm) | 35 l/min (9.2 US gpm) | 80 l/min (21 US gpm) | 80 l/min (21 US gpm) | |
| Max. pressure | Aluminium body = 210 bar (3050 psi) Steel body = 350 bar (5100 psi) | | | | |
| Fluid | mineral based oil | | | | |
| Viscosity | from 10 to 200 cSt | | | | |
| Max. level of contamination | 18/16/13 ISO4406 | | | | |
| Fluid temperature | with NBR seals from -20°C (-4°F) to 80°C (176°F) | | | | |
| Environmental temp. for working conditions | from -40°C (-40°F) to 100°C (212°F) | | | | |
| Weight | <i>alum.</i> | 0.80 kg (1.76 lb) | 0.80 kg (1.76 lb) | 1.65 kg (3.64 lb) | 1.60 kg (3.53 lb) |
| | <i>steel</i> | 2.10 kg (4.63 lb) | 2 kg (4.41 lb) | 3.40 kg (7.49 lb) | 3.30 kg (7.27 lb) |

NOTE - For different conditions, please contact Walvoil Sales Dpt.



Dimensions

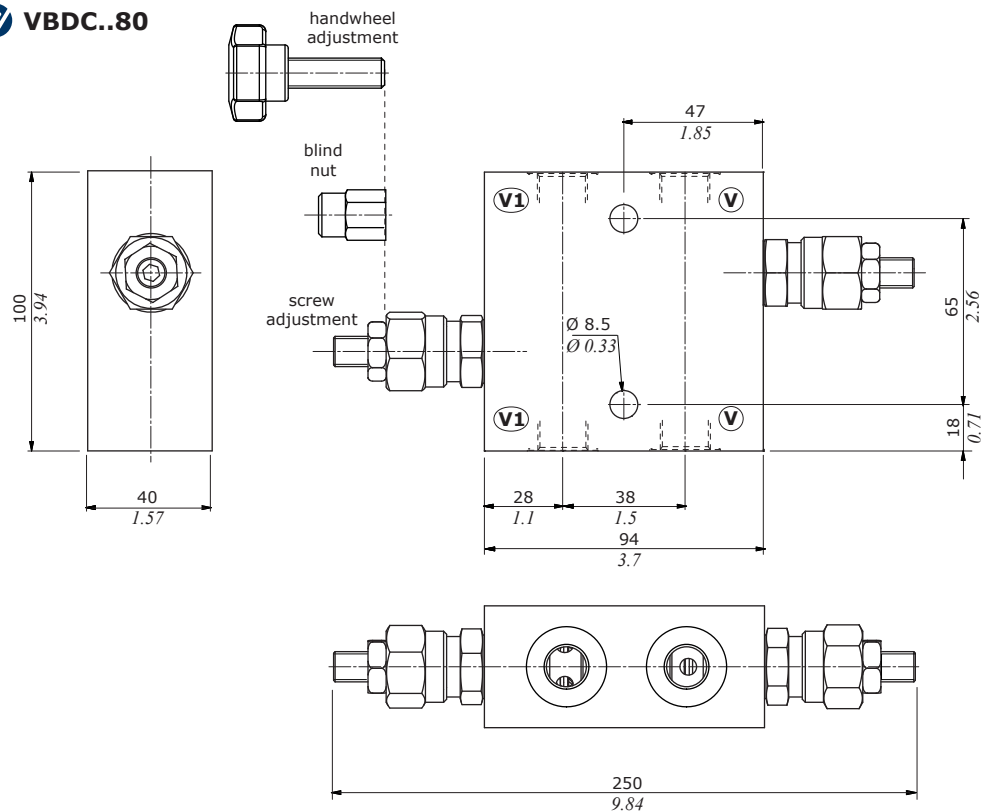
VBDC..35



| Valve type | All ports |
|------------|-----------|
| VBDC..3502 | G3/8 |
| VBDC..3503 | G1/2 |

Dimensions are in mm-in

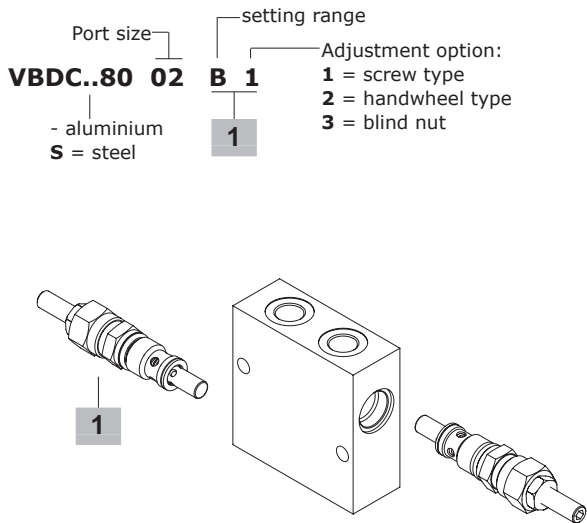
VBDC..80



| Valve type | All ports |
|------------|-----------|
| VBDC..8003 | G1/2 |
| VBDC..8004 | G3/4 |

Dimensions are in mm-in

Ordering codes and description composition



| Type | Setting range bar (psi) | Std. setting bar (psi) |
|----------------|------------------------------|---------------------------|
| VMD..35 | A 5-50 (72.5-725) | 40 (580) |
| | B 40-210 (580-3050) | 100 (1450) |
| | C 100-350 (1450-5100) | 100 (1450) |
| VMD..80 | A 5-50 (72.5-725) | 40 (580) |
| | B 20-260 (290-3770) | 100 (1450) |
| | C 120-350 (1750-5100) | 120 (1740) |

VBDC..35 - VBDC..80 complete valves

Standard setting 100 bar @ 3 l/min (1450 psi @ 0.79 US gpm)

| TYPE | CODE | DESCRIPTION |
|--|------------|---|
| Configuration with G3/8 standard thread | | |
| VBDC3502B1 | 1145221100 | Aluminium body, setting range 40-210 bar (580-3045 psi) |
| VBDCS3502B1 | 1145222100 | Steel body, setting range 40-210 bar (580-3045 psi) |
| Configuration with G1/2 standard thread | | |
| VBDC3503B1 | 1145221101 | Aluminium body, setting range 40-210 bar (580-3045 psi) |
| VBDCS3503B1 | 1145222101 | Steel body, setting range 40-210 bar (580-3045 psi) |
| Configuration with G3/4 standard thread | | |
| VBDC8004B1 | 1145231100 | Aluminium body, setting range 20-260 bar (290-3770 psi) |
| VBDCS8004C1 | 1145232100 | Steel body, setting range 120-350 bar (1740-5070 psi) |

For different configurations and SAE thread please contact our Sales Dpt.

1 Direct acting pressure relief valves

Standard setting 100 bar @ 3 l/min (1450 psi @ 0.79 US gpm)

| TYPE | CODE | DESCRIPTION |
|---------------------------|------------|--|
| For VBDC..35 valve | | |
| VMDC35B1(M20X1,5) | 1100220400 | Screw adjustment from 40 to 210 bar (580-3050 psi) |
| For VBDC..80 valve | | |
| VMDC80B1(M26X1,5) | 1100230400 | Screw adjustment from 40 to 260 bar (580-3770 psi) |

Rating diagrams

