



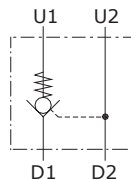
Type VBPSF pilot operated check valves

- Single acting
- Face mounting

Technical specifications and diagrams are measured with mineral oil of 46 cSt viscosity at 40°C (104°F) temperature.

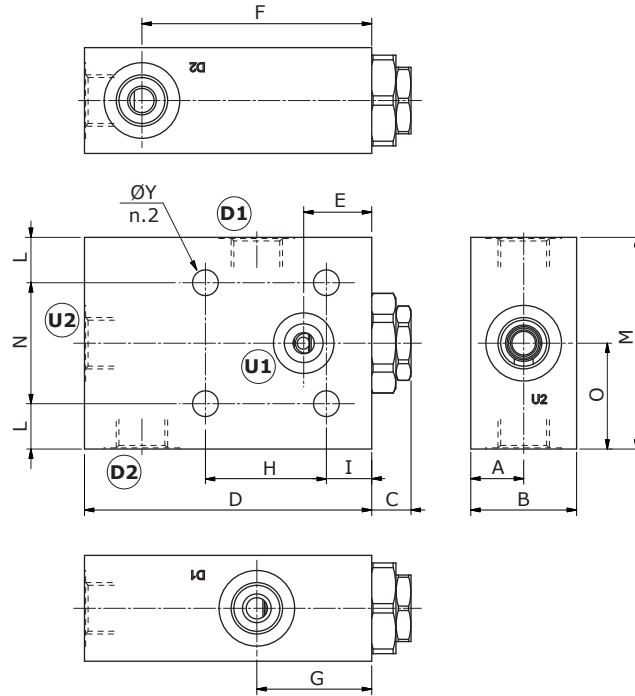
	VBPSF 14	VBPSF 38	VBPSF 12	VBPSF 34	
Nominal flow	15 l/min (4.0 US gpm)	35 l/min (9.2 US gpm)	50 l/min (13.2 US gpm)	100 l/min (26.4 US gpm)	
Max. pressure	Aluminium body = 210 bar (3050 psi) Steel body = 350 bar (5100 psi)				
Oil leakage	0.25 cm ³ /min (0.015 in ³ /min) at 210 bar (3050 psi)				
Fluid	mineral based oil				
Viscosity	from 10 to 200 cSt				
Max. level of contamination	18/16/13 ISO4406				
Fluid temperature	with NBR seals: from -20°C (-4°F) to 80°C (176°F)				
Environmental temp. for working conditions	from -40°C (-40°F) to 100°C (212°F)				
Weight	aluminium	0.34 kg (0.75 lb)	0.81 kg (1.79 lb)	0.73 kg (1.61 lb)	1.67 kg (3.68 lb)
	steel		1.71 kg (3.77 lb)	1.65 kg (3.63 lb)	3.84 kg (8.47 lb)

NOTE - For different conditions, please contact Walvoil Sales Dpt.



Dimension

Valve type	All ports
VBPSF 14	G1/4
VBPSF 38	G3/8
VBPSF 12	G1/2
VBPSF 34	G3/4

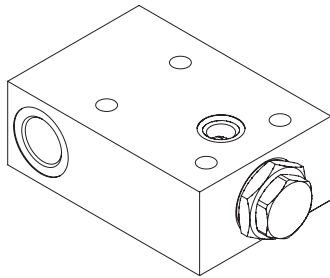


Dimensions are in mm-in

Valve type	A	B	C	D	E	F	G	H	I	L	M	N	O	ØY
VBPSF 14	15 0.59	30 1.18	14.5 0.57	70 2.75	17.5 0.69	67 2.64	30 1.18	35 1.38	8.5 0.33	7.5 0.29	50 1.97	35 1.38	25 0.98	6.5 0.25
VBPSF 38	17.5 0.69	35 1.38	13 0.51	95 3.74	22.5 0.88	76 2.99	38 1.50	40 1.57	15 0.59	15 0.59	70 2.75	40 1.57	35 1.38	8.5 0.33
VBPSF 12	17.5 0.69	35 1.38	13 0.51	95 3.74	22.5 0.88	76 2.99	38 1.50	40 1.57	15 0.59	15 0.59	70 2.75	40 1.57	35 1.38	8.5 0.33
VBPSF 34	24.5 0.96	49 1.93	16.5 0.65	130 5.12	30 1.18	107.5 4.23	58 2.28	67.5 2.66	15 0.59	19.5 0.77	89 3.51	50 1.97	44.5 1.75	10.5 0.41

Ordering codes and description composition

Port size
VBPSF 14/p4
Pilot ratio



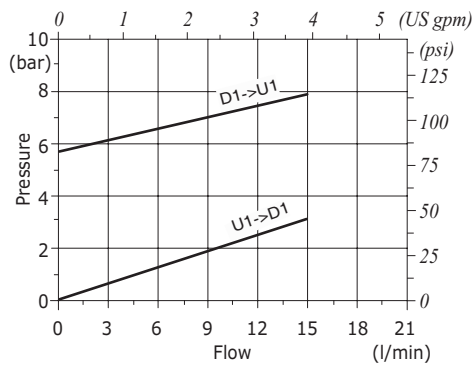
VBPSF complete valves

TYPE	CODE	DESCRIPTION
VBPSF 14/p4	1416011100	Aluminium body, pilot ratio 1:4, G1/4 ports
VBPSF 38/p4	1416021100	Aluminium body, pilot ratio 1:4, G3/8 ports
VBPSF 38/p4/ac	1416022100	Steel body, as previous one
VBPSF 12/p4	1416031100	Aluminium body, pilot ratio 1:4, G1/2 ports
VBPSF 12/p4/ac	1416032100	Steel body, as previous one
VBPSF 34/p4	1416041100	Aluminium body, pilot ratio 1:4, G3/4 ports
VBPSF 34/p4/ac	1416042100	Steel body, as previous one

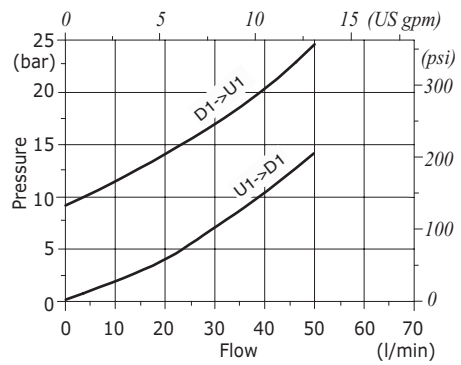
For other steel body configurations, SAE thread and configurations with FPM (Viton) seals, please contact our Sales Dpt.

Rating diagrams

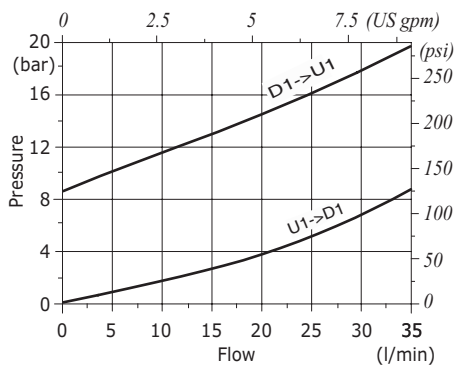
VBPSF 14 pressure drop vs. flow



VBPSF 12 pressure drop vs. flow



VBPSF 38 pressure drop vs. flow



VBPSF 34 pressure drop vs. flow

