



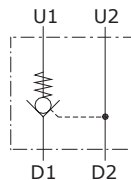
Type VBPSL/SO pilot operated check valves

- Single acting
- With bolt connection

Technical specifications and diagrams are measured with mineral oil of 46 cSt viscosity at 40°C (104°F) temperature.

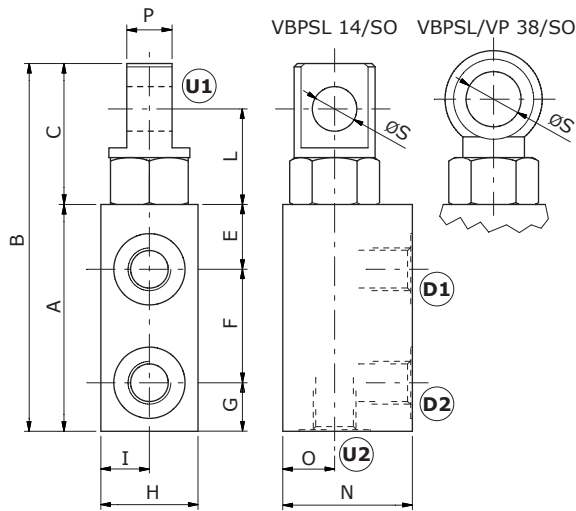
	VBPSL 14/SO	VBPSL VP38/SO	VBPSL 38/VG/SO	VBPSL 12/SO	
Nominal flow	15 l/min (4.0 US gpm)	25 l/min (6.6 US gpm)	35 l/min (9.2 US gpm)	50 l/min (13.2 US gpm)	
Max. pressure	210 bar (3050 psi)				
Oil leakage	0.25 cm ³ /min (0.015 in ³ /min) at 210 bar (3050 psi)				
Fluid	mineral based oil				
Viscosity	from 10 to 200 cSt				
Max. level of contamination	18/16/13 ISO4406				
Fluid temperature	with NBR seals: from -20°C (-4°F) to 80°C (176°F)				
Environmental temp. for working conditions	from -40°C (-40°F) to 100°C (212°F)				
Weight	aluminium	0.35 kg (0.77 lb)	0.37 kg (0.81 lb)	0.65 kg (1.43 lb)	0.65 kg (1.43 lb)

NOTE - For different conditions, please contact Walvoil Sales Dpt.

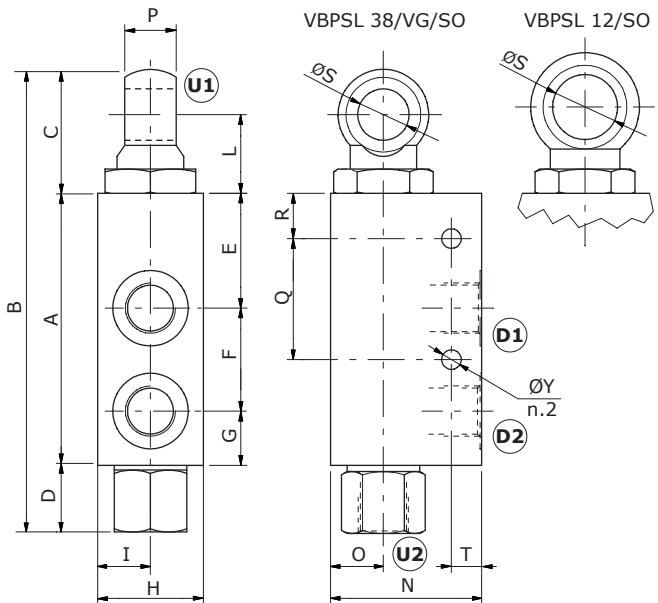


Dimensions

VBPSL 14/SO and VBPSL VP38/SO valves



VBPSL 38/VG/SO and VBPSL 12/SO valves



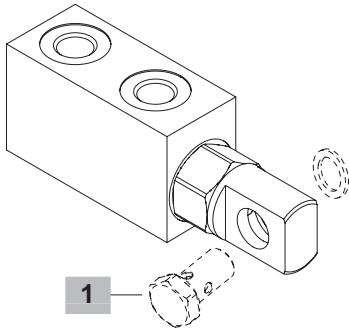
Valve type	All ports
VBPSL 14/SO	G1/4
VBPSL VP38/SO	G3/8
VBPSL 38/VG/SO	G3/8
VBPSL 12/SO	G1/2

Dimensions are in mm-in

Valve type	A	B	C	D	E	F	G	H	I	L	N	O	P	Q	R	ØS	T	ØY
VBPSL 14/SO	70 2.75	113.5 4.47	43.5 1.71	/	20 0.79	35 1.38	15 0.59	30 1.18	15 0.59	29.5 1.16	40 1.57	16 0.63	14 0.55	/	/	13.75 0.541	/	/
VBPSL VP38/SO	80 3.15	127 5.02	47.5 1.87	/	22.5 0.88	35 1.38	22.5 0.88	30 1.18	15 0.59	32.5 1.28	40 1.57	16 0.63	17 0.67	/	/	17 0.67	/	/
VBPSL 38/VG/SO	90 0.35	153 6.02	41 1.61	21.5 0.85	38 1.50	34 1.34	18 0.71	35 1.38	17.5 0.69	26 1.02	50 1.97	17.5 0.69	17 0.67	40 1.57	15 0.59	17 0.67	10 0.39	6.5 0.256
VBPSL 12/SO	90 0.35	161.5 6.36	47.5 1.87	24.5 0.96	38 1.50	34 1.34	18 0.71	35 1.38	17.5 0.69	28.5 1.12	50 1.97	17.5 0.69	23.5 0.93	40 1.57	15 0.59	21.2 0.83	10 0.39	6.5 0.256

Ordering codes and description composition

Port size
VBPSL 14/SO/p4
Pilot ratio



VBPSL/SO complete valves

TYPE	CODE	DESCRIPTION
VBPSL 14/SO/p4	1411011100	Aluminium body, pilot ratio 1:4 G1/4 ports
VBPSL VP38/SO/p4	1411011150	Aluminium body, pilot ratio 1:4 G3/8 ports
VBPSL 38/VG/SO/p4	1411021100	Aluminium body, pilot ratio 1:4 G3/8 ports
VBPSL 12/SO/p4	1411031100	Aluminium body, pilot ratio 1:4 G1/2 ports

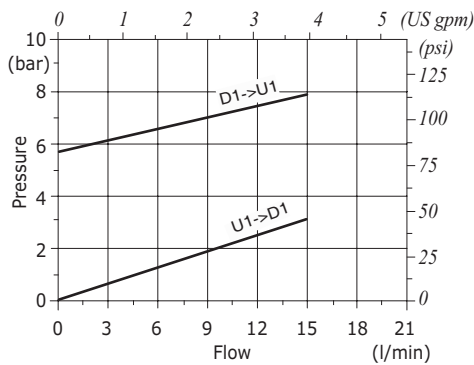
For other steel body configurations, SAE threads and configurations with FPM (Viton) seals, please contact our Sales Dpt.

1 Optional joint kit with washer

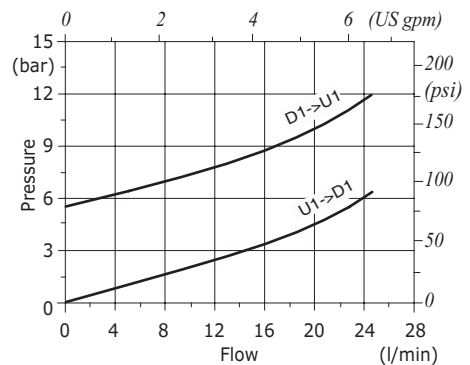
CODE	DESCRIPTION
4XBR1110240	G 1/4 male thread
4XBR1120310	G 3/8 male thread
4XBR1130380	G 1/2 male thread

Ordering codes and description composition

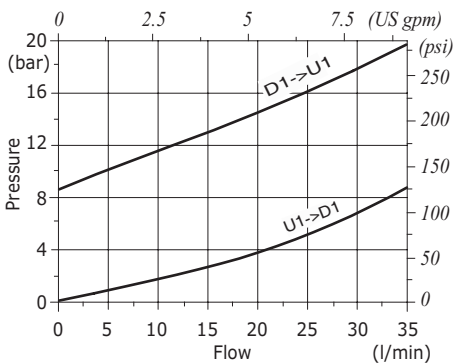
VBPSL 14/SO pressure drop vs. flow



VBPSL/VP 38/SO pressure drop vs. flow



VBPSL 38/VG/SO pressure drop vs. flow



VBPSL 12/SO pressure drop vs. flow

