



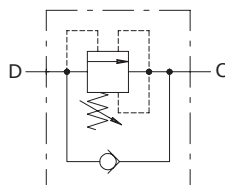
## Type VDSRL/APP sequence valves

- Direct acting
- Back-pressure proof type

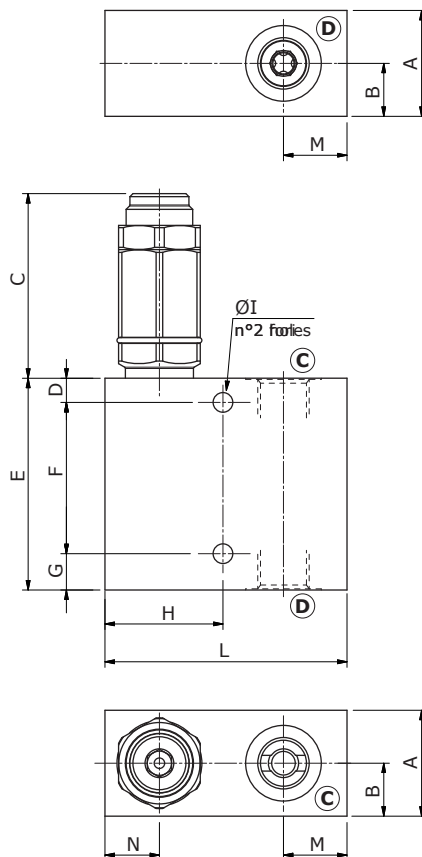
Technical specifications and diagrams are measured with mineral oil of 46 cSt viscosity at 40°C (104°F) temperature.

	VDSRL/APP 5-38	VDSRL/APP 5-12	VDSRL/APP 10-12	VDSRL/APP 10-34	VDSRL/APP 20-34	
Nominal flow	25 l/min (6.6 US gpm)	35 l/min (9.2 US gpm)	50 l/min (13.2 US gpm)	70 l/min (18.5 US gpm)	120 l/min (31.7 US gpm)	
Max. pressure	Aluminium body = 210 bar (3050 psi) Steel body = 350 bar (5100 psi)					
Fluid	mineral based oil					
Viscosity	from 10 to 200 cSt					
Max. level of contamination	18/16/13 ISO4406					
Fluid temperature	with NBR seals from -20°C (-4°F) to 80°C (176°F)					
Environmental temp. for working conditions	from -40°C (-40°F) to 100°C (212°F)					
Weight	alum.	0.75 kg (1.65 lb)	0.78 kg (1.72 lb)	1.02 kg (2.25 lb)	1.12 kg (2.47 lb)	2.03 kg (4.48 lb)
	steel	1.60 kg (3.53 lb)	1.65 kg (3.64 lb)	2.17 kg (4.78 lb)	2.46 kg (5.42 lb)	4.24 kg (9.35 lb)

NOTE - For different conditions, please contact Walvoil Sales Dpt.



## Dimensions

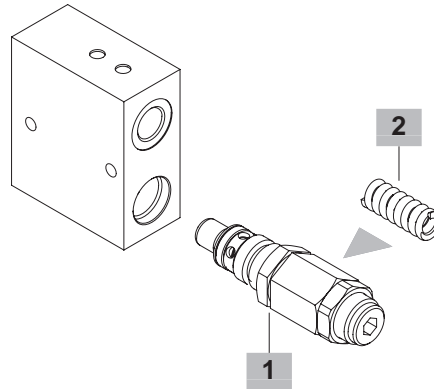
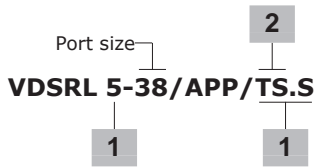


Valve type	All ports
VDSRL/APP 5-38	G3/8
VDSRL/APP 5-12	G1/2
VDSRL/APP 10-12	G1/2
VDSRL/APP 10-34	G3/4
VDSRL/APP 20-34	G3/4
Valve type	All ports
VDSRL/APP 5-38/SAE	SAE8

Dimensions are in mm-*in*

Valve type	A	B	C	D	E	F	G	H	L	M	ØI	N
VDSRL/APP 5-38 VDSRL/APP 5-38/SAE	35-1.38	17.5-0.69	62-2.44	8-0.31	70-2.75	50-1.97	12-0.47	39-1.53	80-3.15	21-0.83	6.5-0.25	18-0.71
VDSRL/APP 5-12	35-1.38	17.5-0.69	62-2.44	8-0.31	75-2.95	55-2.16	12-0.47	39-1.53	80-3.15	21-0.83	8.5-0.33	18-0.71
VDSRL/APP 10-12	40-1.57	20-0.79	62-2.44	8-0.31	80-3.15	60-2.36	12-0.47	44-1.73	90-3.54	24-0.94	8.5-0.33	20-0.79
VDSRL/APP 10-34	40-1.57	20-0.79	62-2.44	8-0.31	90-3.54	70-2.75	12-0.47	44-1.73	95-3.74	27-1.10	8.5-0.33	20-0.79
VDSRL/APP 20-34	50-1.97	25-0.98	82-3.23	8-0.31	100-3.94	80-3.15	12-0.47	53-2.09	110-4.33	32-1.26	8.5-0.33	25-0.98

**Ordering codes and description composition**



**VDSRL/APP complete valves**

*With direct acting valve: standard setting 160 bar at 5 l/min (2320 psi at 1.32 US gpm)*

TYPE	CODE	DESCRIPTION
<b>Configuration with G3/8 ports</b>		
<b>VDSRL 5-38/APP/TS.S</b>	1201021101	Aluminium body, setting range 50-220 bar (725-3200 psi).
<b>VDSRL 5-38/APP/TS.S/ac</b>	1201022100	Steel body, as previous one
<b>Configuration with G1/2 ports</b>		
<b>VDSRL 5-12/APP/TS.S</b>	1201021151	Aluminium body, setting range 50-220 bar (725-3200 psi)
<b>VDSRL 10-12/APP/TS.S</b>	1201031100	Aluminium body, setting range 50-220 bar (725-3200 psi)
<b>VDSRL 10-12/APP/TS.S/ac</b>	1201032100	Steel body, as previous one
<b>Configuration with G3/4 ports</b>		
<b>VDSRL 10-34/APP/TS.S</b>	1201031150	Aluminium body, setting range 50-220 bar (725-3200 psi)
<b>VDSRL 10-34/APP/TS.S/ac</b>	1201031150	Steel body, as previous one
<b>VDSRL 20-34/APP/TS.S</b>	1201041100	Aluminium body, setting range 50-220 bar (725-3200 psi)
<b>VDSRL 20-34/APP/TS.S/ac</b>	1201042100	Steel body, as previous one
<b>Configuration with SAE8 ports</b>		
<b>VDSRL 5-38/APP/TS.S/SAE</b>	1201021200	Aluminium body, setting range 50-220 bar (725-3200 psi).
<b>VDSRL 5-38/APP/TS.S/ac/SAE</b>	1201022203	Steel body, as previous one

For other steel body configurations, SAE thread and configurations with FPM (Viton) seals please contact our Sales Dept.

**1 Direct acting pressure relief valve**

*Standard setting 160 bar at 5 l/min (2320 psi at 1.32 US gpm)*

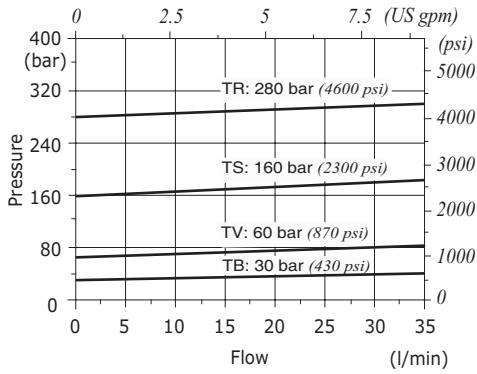
TYPE	CODE	DESCRIPTION
<b>For G/8, G1/2 and SAE8 ports configuration</b>		
<b>VMP 5/APP/TS.S</b>	1101020400	Direct acting type, setting range 50-220 bar (725-3200 psi)
<b>For G1/2 and G3/4 ports configuration</b>		
<b>VMP 10/APP/TS.S</b>	1101030400	Direct acting type, setting range 50-220 bar (725-3200 psi)
<b>For G3/4 ports configuration</b>		
<b>VMP 20/APP/TS.S</b>	1101040400	Direct acting type, setting range 50-220 bar (725-3200 psi)

**2 Pressure setting springs**

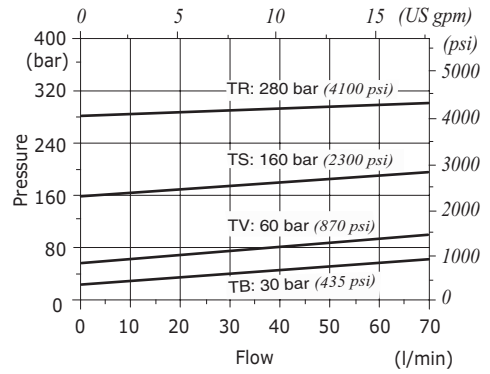
TYPE	CODE	DESCRIPTION
<b>For VMP 5/APP and VMP 10/APP valves</b>		
<b>TB</b>	3MOL314330	Setting range 5-50 bar (72.5-725 psi)
<b>TV</b>	3ML1144000	Setting range 20-100 bar (290-1450 psi)
<b>TS</b>	3ML1144001	Setting range 50-220 bar (725-3200 psi)
<b>TR</b>	3ML1144002	Setting range 100-350 bar (1450-5100 psi)
<b>For VMP 20/APP valve</b>		
<b>TB</b>	3ML1174500	Setting range 5-50 bar (72.5-725 psi)
<b>TV</b>	3ML1194500	Setting range 20-100 bar (290-1450 psi)
<b>TS</b>	3ML1194501	Setting range 50-220 bar (725-3200 psi)
<b>TR</b>	3ML1194502	Setting range 100-350 bar (1450-5100 psi)

Rating diagrams

**VDSRL 5 (38-12)/APP pressure vs. flow**  
Std. setting at 5 l/min (1.32 US gpm)



**VDSRL 10 (12-34)/APP pressure vs. flow**  
Std. setting at 5 l/min (1.32 US gpm)



**VDSRL 20-34/APP pressure vs. flow**  
Std. setting at 5 l/min (1.32 US gpm)

