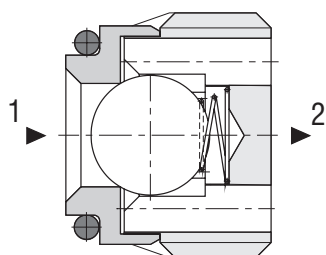


Check Valve, Ball Type

VJO1-06/S

Size 06 • Q_{max} 20 l/min (5 GPM) • p_{max} 320 bar (4600 PSI)

Model 01



Technical Features

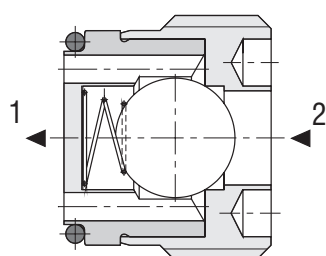
- › Hardened precision parts
- › Sharp-edged steel seats for dirt-tolerant performance
- › Leak-free closing, suitable for fast cycling with long life
- › Compact design for limited installation space availability
- › High flow capacity
- › In the standard version, the valve is without surface coating

Functional Description

A hydraulic check valve in the form of a screw-in cartridge-style for use as a blocking or load-holding device. The cartridge has a ball check which is closed by spring until sufficient pressure is applied at port 1(2) to open flow to port 2(1).

During the assembly, the valve has to be secured against loosening by means of a suitable glue or cement (Loctite, etc.).

Model 02



Symbol	Model 01	Model 02

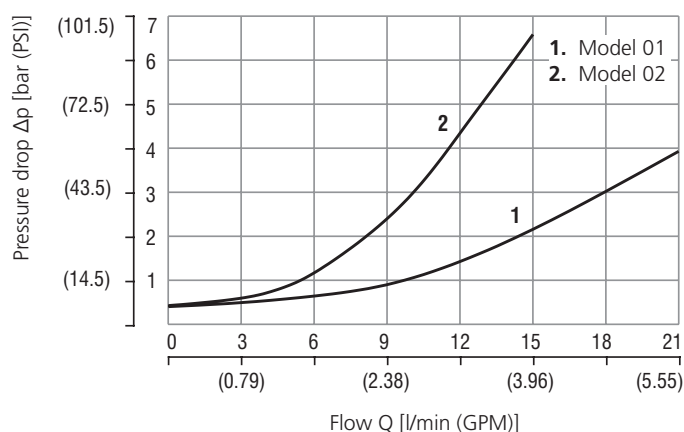
Technical Data

Valve size	06	
Max. flow	l/min (GPM)	20 (5.3)
Max. operating pressure	bar (PSI)	320 (4640)
Cracking pressure	bar (PSI)	0.25 (3.62)
Fluid temperature range (NBR)	°C (°F)	-30 +100 (-22 ... +212)
Fluid temperature range (FPM)	°C (°F)	-20 +120 (-4 ... +248)
Mass	kg (lbs)	0.007 (0.015)

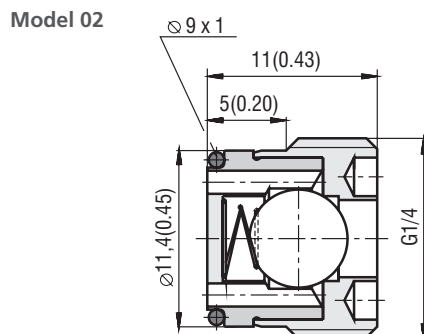
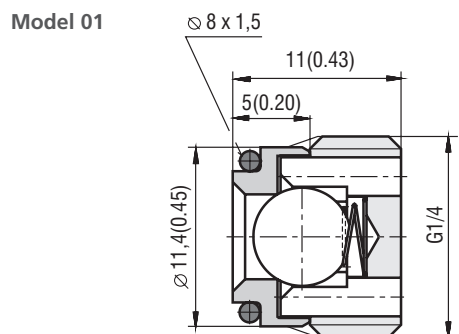
	Datasheet	Type
General information	GI_0060	Products and operating conditions
Spare parts	SP_8010	

Characteristics measured at $v = 32 \text{ mm}^2/\text{s}$ (156 SUS)

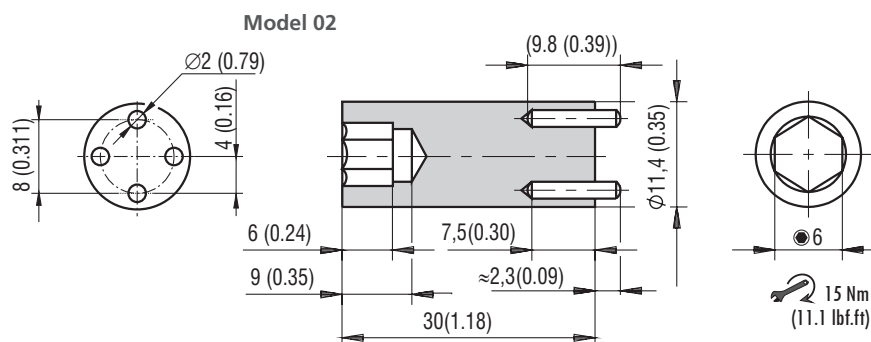
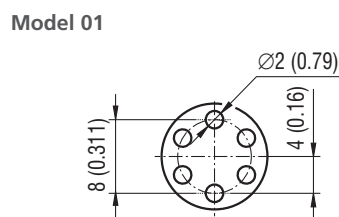
Pressure drop related to flow rate



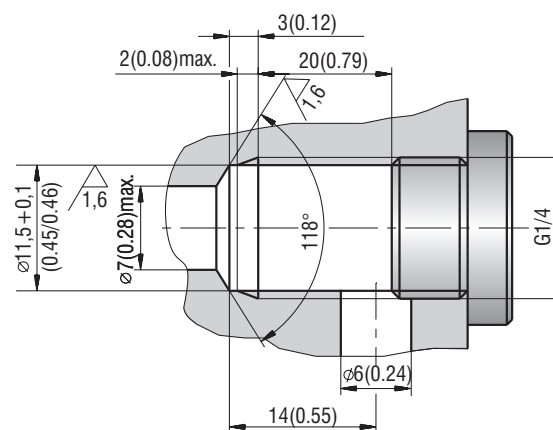
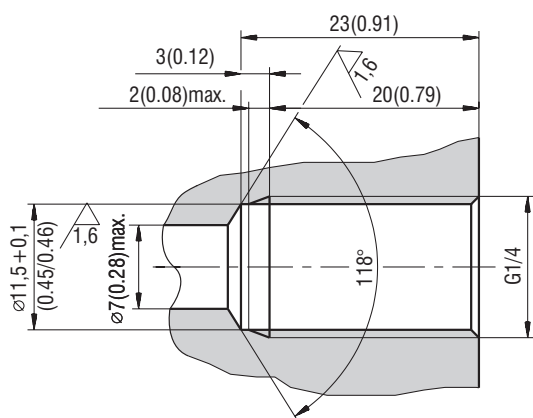
Dimensions in millimeters (inches)



Mounting Tool in millimeters (inches)



Cavity in millimeters (inches)



Ordering Code

