



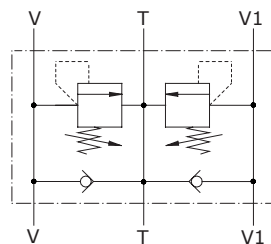
Type VMDACSV pressure relief valves

- Double antishock differential relief valve with anticavitation

Technical specifications and diagrams are measured with mineral oil of 46 cSt viscosity at 40°C (104°F) temperature.

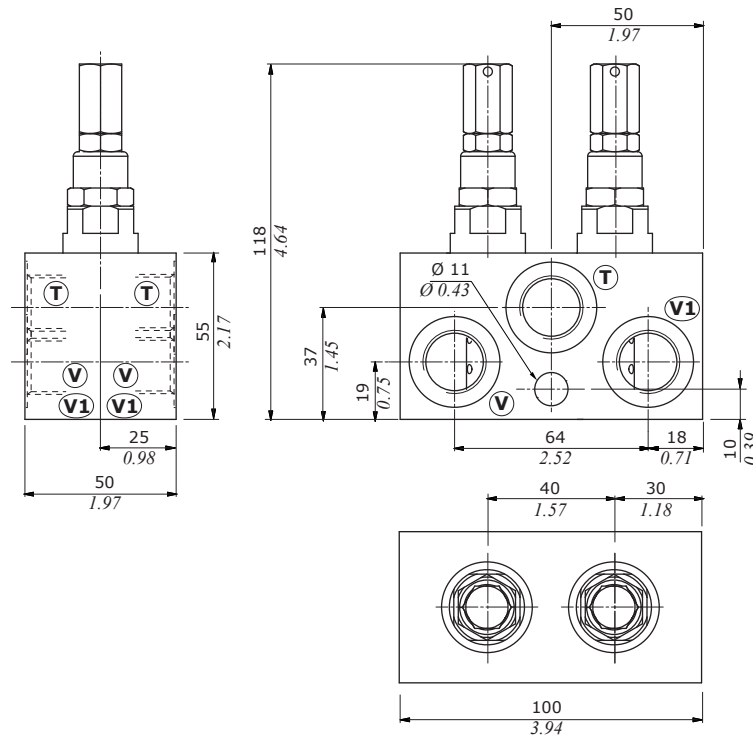
	VMDACSV 02	VMDACSV 03
Nominal flow	45 l/min (11.9 US gpm)	70 l/min (18.5 US gpm)
Max. pressure	Steel body = 350 bar (5100 psi)	
Fluid	mineral based oil	
Viscosity	from 10 to 200 cSt	
Max. level of contamination	18/16/13 ISO4406	
Fluid temperature	with NBR seals from -20°C (-4°F) to 80°C (176°F)	
Environmental temperature for working conditions	from -40°C (-40°F) to 100°C (212°F)	
Weight	steel 1.96 kg (4.31 lb)	1.85 kg (4.08 lb)

NOTE - For different conditions, please contact Walvoil Sales Dpt.



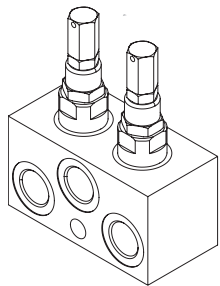
Dimensions

Valve type	All ports
VMDACSV02D	G3/8
VMDACSV03C	G1/2
VMDACSV03D	G1/2



Ordering codes and description composition

Port size | Setting range
VMDACSV 03 C



Spring type	Setting range bar (psi)	Std. setting bar (psi)
C	95-125 (1370-1800)	110 (1600)
D	125-160 (1800-2300)	140 (2030)

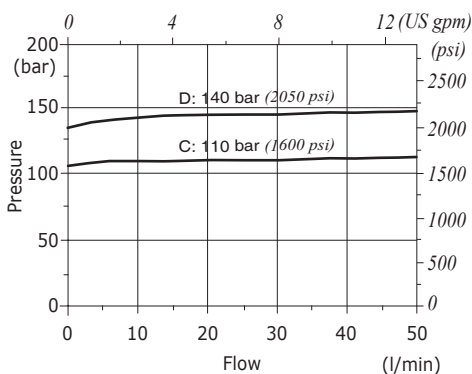
VMDACSV complete valves

TYPE	CODE	DESCRIPTION
Configuration with G3/8 standard thread		
VMDACSV02D	1152521100	Steel body, setting range 125-160 bar (1800-2300 psi), std setting 140 bar @ 5 l/min (2030 psi @ 1.32 US gpm)
Configuration with G1/2 standard thread		
VMDACSV03C	1152531100	Steel body, setting range 95-125 bar (1370-1800 psi), std setting 110 bar @ 5 l/min (1600 psi @ 1.32 US gpm)
VMDACSV03D	1152531101	Steel body, setting range 125-160 bar (1800-2300 psi), std setting 140 bar @ 5 l/min (2030 psi @ 1.32 US gpm)

For different configurations and SAE thread please contact our Sales Dpt.

Rating diagrams

VMDACSV02C pressure vs. flow
Std. setting @ 5 l/min (1.32 US gpm)



VMDACSV03C pressure vs. flow
Std. setting @ 5 l/min (1.32 US gpm)

