



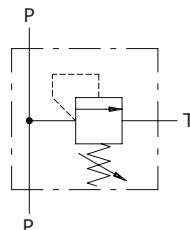
Type VMDL..20 - VMD..35 - VMD..80 pressure relief valves

- Direct acting

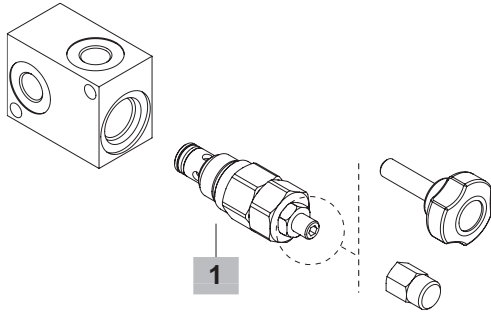
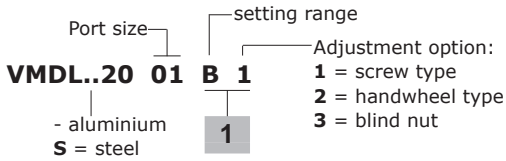
Technical specifications and diagrams are measured with mineral oil of 46 cSt viscosity at 40°C (104°F) temperature.

	VMDL..2001	VMDL..2002	VMD..3502	VMD..3503	VMD..8003	VMD..8004	
Nominal flow	20 l/min (5.3 US gpm)		35 l/min (9.2 US gpm)		80 l/min (21.1 US gpm)		
Max. pressure	Aluminium body = 210 bar (3050 psi) Steel body = 350 bar (5100 psi)						
Fluid	mineral based oil						
Viscosity	from 10 to 200 cSt						
Max. level of contamination	18/16/13 ISO4406						
Fluid temperature	with NBR seals from -20°C (-4°F) to 80°C (176°F)						
Environmental temp. for working conditions	from -40°C (-40°F) to 100°C (212°F)						
Weight	aluminium	0.24 kg (0.53 lb)	0.24 kg (0.53 lb)	0.40 kg (0.88 lb)	0.39 kg (0.86 lb)	0.72 kg (1.59 lb)	0.72 kg (1.59 lb)
	steel	-	-	0.85 kg (1.87 lb)	0.78 kg (1.72 lb)	1.45 kg (3.20 lb)	1.35 kg (2.98 lb)

NOTE - For different conditions, please contact Walvoil Sales Dpt.



Ordering codes and description composition



Type	Setting range bar (psi)	Std. setting bar (psi)
VMDL..20	A 5-60 (72.5-870)	40 (580)
	B 50-240 (725-3500)	100 (1450)
	C 90-350 (130-5100)	100 (1450)
	D 20-100 (290-1450)	100 (1450)
VMD..35	A 5-50 (72.5-725)	40 (580)
	B 40-210 (580-3050)	100 (1450)
	C 100-350 (1450-5100)	100 (1450)
VMD..80	A 5-50 (72.5-725)	40 (580)
	B 20-260 (290-3770)	100 (1450)
	C 120-350 (1750-5100)	120 (1740)

VMD complete valves

Standard setting 150 bar @ 5 l/min (2200 psi @ 1.32 US gpm)

TYPE	CODE	DESCRIPTION
Configuration with G1/4 standard thread		
VMDL2001B1	1110711100	Aluminium body, setting range from 50 to 240 bar (725-3500 psi)
Configuration with G3/8 standard thread		
VMDL2002B1	1110721100	Aluminium body, setting range from 50 to 240 bar (725-3500 psi)
VMD3502B1	1110821100	Aluminium body, setting range from 40 to 210 bar (580-3050 psi)
VMDS3502B1	1110822100	Steel body, setting range from 40 to 210 bar (580-3050 psi)
Configuration with G1/2 standard thread		
VMD3503B1	1110821101	Aluminium body, setting range from 40 to 210 bar (580-3050 psi)
VMD8003B1	1110831100	Aluminium body, setting range from 20 to 260 bar (290-3770 psi)
VMDS3503B1	1110822101	Steel body, setting range from 40 to 210 bar (580-3050 psi)
VMDS8003B1	1110832100	Steel body, setting range from 20 to 260 bar (290-3770 psi)
Configuration with G3/4 standard thread		
VMD8004B1	1110831101	Aluminium body, setting range from 20 to 260 bar (290-3770 psi)
VMDS8004B1	1110832101	Steel body, setting range from 20 to 260 bar (290-3770 psi)

For different configurations and SAE thread please contact our Sales Dpt.

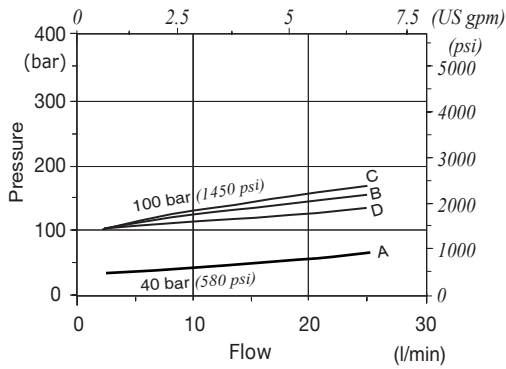
1 Direct acting pressure relief valves

Standard setting 150 bar @ 5 l/min (2200 psi @ 1.32 US gpm)

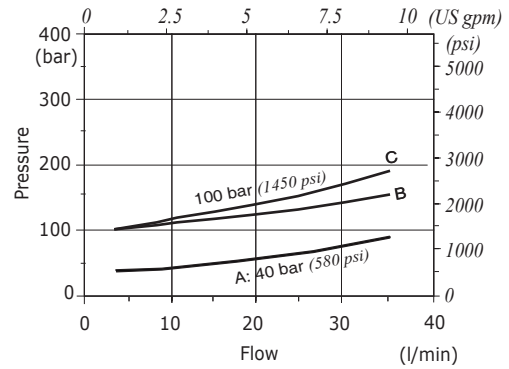
TYPE	CODE	DESCRIPTION
For VMDL..20 valve		
MC08F/0G2B	0MC08002069	Screw adjustment from 50 to 240 bar (725-3500 psi)
For VMD..35 valve		
VMDC35B1(M20X1,5)	1100220400	Screw adjustment from 40 to 210 bar (580-3050 psi)
For VMD..80 valve		
VMDC80B1(M26X1,5)	1100230400	Screw adjustment from 40 to 260 bar (290-3770 psi)

Rating diagrams

VMDL..20 pressure vs. flow
standard setting @ 5 l/min (1.32 US gpm)



VMD..35 pressure vs. flow
standard setting @ 5 l/min (1.32 US gpm)



VMD..80 pressure vs. flow
standard setting @ 5 l/min (1.32 US gpm)

