

## Type VOSLP/N1116 - VOSLP/R1116 counterbalance valves

- Single acting
- External pilot
- Load Sensitive (type N)
- Relief Compensated (type R)

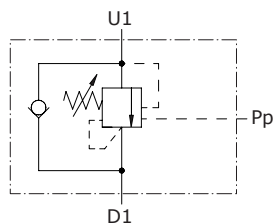
Technical specifications and diagrams are measured with mineral oil of 46 cSt viscosity at 40°C (104°F) temperature.

### VOSLP/N1116 (38-12) - VOSLP/R1116 (38-12)

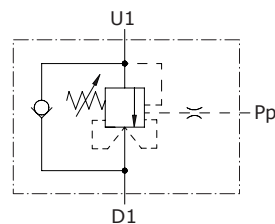
Nominal flow	60 l/min (15.9 US gpm)	
Max. pressure	Aluminium body = 210 bar (3050 psi) Steel body = 350 bar (5100 psi)	
Oil leakage	0.25 cm <sup>3</sup> /min - 0.015 in <sup>3</sup> /min. (5 drops) at 210 bar - 3050 psi	
Fluid	mineral based oil	
Viscosity	from 10 to 200 cSt	
Max. level of contamination	18/16/13 ISO4406	
Fluid temperature	with NBR seals from -20°C (-4°F) to 80°C (176°F)	
Environmental temp. for working conditions	from -40°C (-40°F) to 100°C (212°F)	
Weight	aluminium	<b>VOSLP/N1116/38:</b> 0.51kg (1.12 lb) - <b>VOSLP/N1116/12:</b> 0.65 kg (1.43 lb)
	steel	<b>VOSLP/N1116/38:</b> 1.13 kg (2.49 lb) - <b>VOSLP/N1116/12:</b> 1.51 kg (3.33 lb) <b>VOSLP/R1116/38:</b> 1.20 kg (2.64 lb) - <b>VOSLP/R1116/12:</b> 1.58 kg (3.48 lb)

NOTE - For different conditions, please contact Walvoil Sales Dpt.

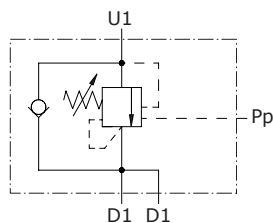
#### VOSLP/N1116



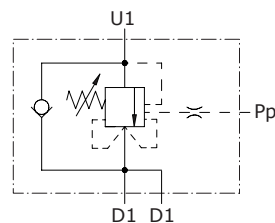
#### VOSLP/R1116



#### VOSLP/N1116/F1

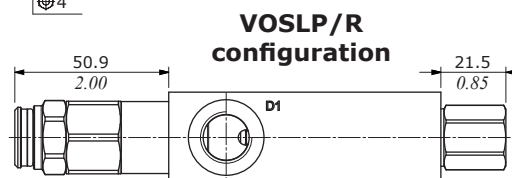
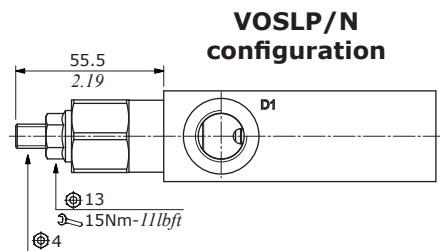
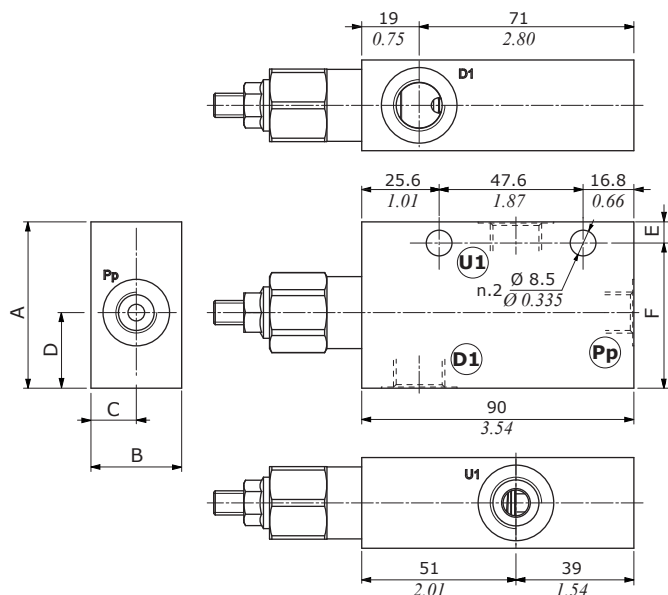


#### VOSLP/R1116/F1

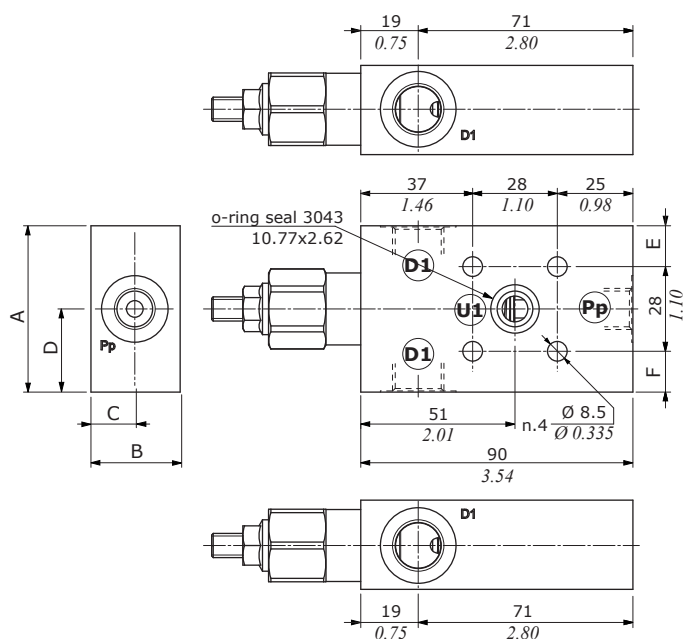


### Dimensions

#### VOSLP/...1116/38 - VOSLP/...1116/12



#### VOSLP/...1116/38F1 - VOSLP/...1116/12F1



Valve type	D1	U1	Pp
VOSLP/...1116/38	G3/8	G3/8	G1/4
VOSLP/...1116/12	G1/2	G1/2	G1/4
VOSLP/...1116/38F1	G3/8	Ø8.5 Ø0.335	G1/4
VOSLP/...1116/12F1	G1/2	Ø8.5 Ø0.335	G1/4

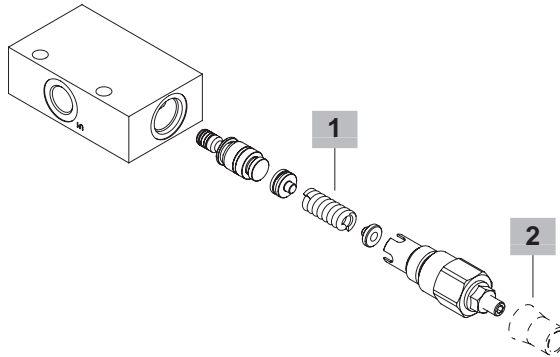
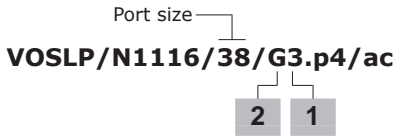
  

Valve type	D1	U1	Pp
VOSLP/...1116/S8	SAE8	SAE8	SAE6
VOSLP/...1116/S10	SAE10	SAE10	SAE6
VOSLP/...1116/S8F1	SAE8	Ø8.5 Ø0.335	SAE6
VOSLP/...1116/S10F1	SAE10	Ø8.5 Ø0.335	SAE6

Dimensions are in mm-in

Valve type	A	B	C	D	E	F
VOSLP/...1116/38	55	30	15	25	48	7
VOSLP/...1116/S8	2.17	1.18	0.59	0.98	1.89	0.276
VOSLP/...1116/12	65	35	17.5	32.5	54	11
VOSLP/...1116/S10	2.26	1.38	0.69	1.28	2.13	0.433
VOSLP/...1116/38F1	55	29.5	14.5	27.5	13.5	13.5
VOSLP/...1116/S8F1	2.17	1.16	0.57	1.08	0.53	0.53
VOSLP/...1116/12F1	65	34.5	17	32.5	18.5	18.5
VOSLP/...1116/S10F1	2.26	1.36	0.67	1.28	0.73	0.73

**Ordering codes and description composition**



**VOSLP/N1116 complete valves**

**Load sensitive (N) configuration with G3/8 thread**

Pilot ratio 1:4

TYPE: **VOSLP/N1116/38/G3.p4/ac** CODE: 1534322101  
DESCRIPTION: Steel body, range 5-210 bar (72.5-3050 psi), std setting 150 bar (2175 psi) @ 5 l/min (1.32 US gpm)

TYPE: **VOSLP/N1116/38/G5.p4/ac** CODE: 1534322100  
DESCRIPTION: Steel body, range 50-350 bar (725-5075 psi), std setting 280 bar (4060 psi) @ 5 l/min (1.32 US gpm)

TYPE: **VOSLP/N1116/38/G5.p4** CODE: 1534321100  
DESCRIPTION: Aluminium body, range 50-350 bar (725-5075 psi), std setting 280 bar (4060 psi) @ 5 l/min (1.32 US gpm)

Pilot ratio 1:8

TYPE: **VOSLP/N1116/38/G5.p8/ac** CODE: 1534322104  
DESCRIPTION: Steel body, range 5-350 bar (72.5-5075 psi), std setting 280 bar (4060 psi) @ 5 l/min (1.32 US gpm)

Zero differential pilot ratio

TYPE: **VOSLP/N1116/38/G3.p0/ac** CODE: 1534322106  
DESCRIPTION: Steel body, range 5-210 bar (72.5-3050 psi), std setting 150 bar (2175 psi) @ 5 l/min (1.32 US gpm)

TYPE: **VOSLP/N1116/38/G5.p0/ac** CODE: 1534322107  
DESCRIPTION: Steel body, range 50-350 bar (725-5075 psi), std setting 280 bar (4060 psi) @ 5 l/min (1.32 US gpm)

**Load sensitive (N) configuration with G3/8 thread and F1 flange**

TYPE: **VOSLP/N1116/38F1/G5.p4/ac** CODE: 1535522100  
DESCRIPTION: Steel body, pilot ratio 1:4, range 50-350 bar (725-5075 psi), std setting 280 bar (4060 psi) @ 5 l/min (1.32 US gpm)

TYPE: **VOSLP/N1116/38F1/G5.p8/ac** CODE: 1535522101  
DESCRIPTION: Steel body, pilot ratio 1:8, range 50-350 bar (725-5075 psi), std setting 280 bar (4060 psi) @ 5 l/min (1.32 US gpm)

TYPE: **VOSLP/N1116/38F1/G5.p0/ac** CODE: 1535522102  
DESCRIPTION: Steel body, zero differential pilot ratio, range 50-350 bar (725-5075 psi), std setting 280 bar (4060 psi) @ 5 l/min (1.32 US gpm)

**VOSLP/N1116 complete valves**

**Load sensitive (N) configuration with SAE8 thread**

Pilot ratio 1:4

TYPE: **VOSLP/N1116/S8/G3.p4/ac** CODE: 1534322200  
DESCRIPTION: Steel body, range 5-210 bar (72.5-3050 psi), std setting 150 bar (2175 psi) @ 5 l/min (1.32 US gpm)

TYPE: **VOSLP/N1116/S8/G5.p4/ac** CODE: 1534322201  
DESCRIPTION: Steel body, range 50-350 bar (725-5075 psi), std setting 280 bar (4060 psi) @ 5 l/min (1.32 US gpm)

TYPE: **VOSLP/N1116/S8/G5.p4** CODE: 1534321200  
DESCRIPTION: Aluminium body, range 50-350 bar (725-5075 psi), std setting 280 bar (4060 psi) @ 5 l/min (1.32 US gpm)

Pilot ratio 1:8

TYPE: **VOSLP/N1116/S8/G5.p8/ac** CODE: 1534322204  
DESCRIPTION: Steel body, range 5-350 bar (72.5-5075 psi), std setting 280 bar (4060 psi) @ 5 l/min (1.32 US gpm)

Zero differential pilot ratio

TYPE: **VOSLP/N1116/S8/G3.p0/ac** CODE: 1534322206  
DESCRIPTION: Steel body, range 5-210 bar (72.5-3050 psi), std setting 150 bar (2175 psi) @ 5 l/min (1.32 US gpm)

TYPE: **VOSLP/N1116/S8/G5.p0/ac** CODE: 1534322207  
DESCRIPTION: Steel body, range 50-350 bar (725-5075 psi), std setting 280 bar (4060 psi) @ 5 l/min (1.32 US gpm)

**Load sensitive (N) configuration with SAE8 thread and F1 flange**

TYPE: **VOSLP/N1116/S8F1/G5.p4/ac** CODE: 1535522200  
DESCRIPTION: Steel body, pilot ratio 1:4, range 50-350 bar (725-5075 psi), std setting 280 bar (4060 psi) @ 5 l/min (1.32 US gpm)

TYPE: **VOSLP/N1116/S8F1/G5.p8/ac** CODE: 1535522201  
DESCRIPTION: Steel body, pilot ratio 1:8, range 50-350 bar (725-5075 psi), std setting 280 bar (4060 psi) @ 5 l/min (1.32 US gpm)

TYPE: **VOSLP/N1116/S8F1/G5.p0/ac** CODE: 1535222202  
DESCRIPTION: Steel body, zero differential pilot ratio, range 50-350 bar (725-5075 psi), std setting 280 bar (4060 psi) @ 5 l/min (1.32 US gpm)

**1 Pressure setting spring**

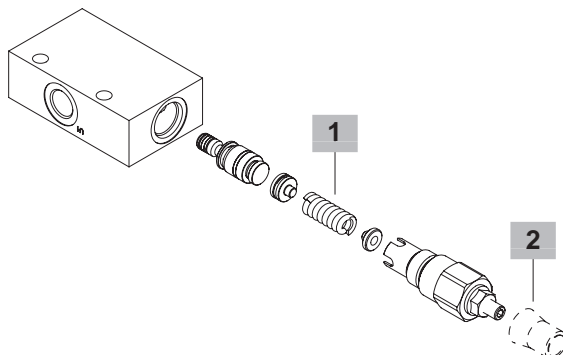
TYPE	CODE	DESCRIPTION
<b>For 1:4 and zero differential pilot ratio</b>		
<b>3</b>	3ML1133201	For range 5-210 bar (72.5-3050 psi)
<b>5</b>	3ML1133200	For range 50-350 bar (725-5075 psi)
<b>For 1:8 pilot ratio</b>		
<b>5</b>	3ML1133201	For range 5-350 bar (72.5-5075 psi)

**2 Setting type**

TYPE	CODE	DESCRIPTION
<b>G</b>	-	Screw setting
<b>Z</b>	4COP120420	Antitampering cap

### Dimensions

Port size  
VOSLP/N1116/12/G3.p4/ac



#### VOSLP/N1116 complete valves

##### Load sensitive (N) configuration with G1/2 thread

TYPE: **VOSLP/N1116/12/G5.p4/ac** CODE: 1534332100  
DESCRIPTION: Steel body, pilot ratio 1:4, range 50-350 bar (725-5075 psi), std setting 280 bar (4060 psi) @ 5 l/min (1.32 US gpm)

TYPE: **VOSLP/N1116/12/G5.p8/ac** CODE: 1534332101  
DESCRIPTION: Steel body, pilot ratio 1:8, range 5-350 bar (72.5-5075 psi), std setting 280 bar (4060 psi) @ 5 l/min (1.32 US gpm)

TYPE: **VOSLP/N1116/12/G5.p0/ac** CODE: 1534332102  
DESCRIPTION: Steel body, zero differential pilot ratio, range 50-350 bar (725-5075 psi), std setting 280 bar (4060 psi) @ 5 l/min (1.32 US gpm)

TYPE: **VOSLP/N1116/12/G5.p4** CODE: 1534331100  
DESCRIPTION: Aluminium body, pilot ratio 1:4, range 50-350 bar (725-5075 psi), std setting 280 bar (4060 psi) @ 5 l/min (1.32 US gpm)

##### Load sensitive (N) configuration with G1/2 thread and F1 flange

TYPE: **VOSLP/N1116/12F1/G5.p4/ac** CODE: 1535532100  
DESCRIPTION: Steel body, pilot ratio 1:4, range 50-350 bar (725-5075 psi), std setting 280 bar (4060 psi) @ 5 l/min (1.32 US gpm)

TYPE: **VOSLP/N1116/12F1/G5.p8/ac** CODE: 1535532101  
DESCRIPTION: Steel body, pilot ratio 1:8, range 5-350 bar (72.5-5075 psi), std setting 280 bar (4060 psi) @ 5 l/min (1.32 US gpm)

TYPE: **VOSLP/N1116/12F1/G5.p0/ac** CODE: 1535532102  
DESCRIPTION: Steel body, zero differential pilot ratio, range 50-350 bar (725-5075 psi), std setting 280 bar (4060 psi) @ 5 l/min (1.32 US gpm)

For other configurations please contact our Sales Dpt.

#### VOSLP/N1116 complete valves

##### Load sensitive (N) configuration with SAE10 thread

TYPE: **VOSLP/N1116/S10/G5.p4/ac** CODE: 1534332200  
DESCRIPTION: Steel body, pilot ratio 1:4, range 50-350 bar (725-5075 psi), std setting 280 bar (4060 psi) @ 5 l/min (1.32 US gpm)

TYPE: **VOSLP/N1116/S10/G5.p8/ac** CODE: 1534332201  
DESCRIPTION: Steel body, pilot ratio 1:8, range 5-350 bar (72.5-5075 psi), std setting 280 bar (4060 psi) @ 5 l/min (1.32 US gpm)

TYPE: **VOSLP/N1116/S10/G5.p0/ac** CODE: 1534332202  
DESCRIPTION: Steel body, zero differential pilot ratio, range 50-350 bar (725-5075 psi), std setting 280 bar (4060 psi) @ 5 l/min (1.32 US gpm)

TYPE: **VOSLP/N1116/S10/G5.p4** CODE: 1534331200  
DESCRIPTION: Aluminium body, pilot ratio 1:4, range 50-350 bar (725-5075 psi), std setting 280 bar (4060 psi) @ 5 l/min (1.32 US gpm)

##### Load sensitive (N) configuration with SAE10 thread and F1 flange

TYPE: **VOSLP/N1116/S10F1/G5.p4/ac** CODE: 1535532200  
DESCRIPTION: Steel body, pilot ratio 1:4, range 50-350 bar (725-5075 psi), std setting 280 bar (4060 psi) @ 5 l/min (1.32 US gpm)

TYPE: **VOSLP/N1116/S10F1/G5.p8/ac** CODE: 1535532201  
DESCRIPTION: Steel body, pilot ratio 1:8, range 5-350 bar (72.5-5075 psi), std setting 280 bar (4060 psi) @ 5 l/min (1.32 US gpm)

TYPE: **VOSLP/N1116/S10F1/G5.p0/ac** CODE: 1535532202  
DESCRIPTION: Steel body, zero differential pilot ratio, range 50-350 bar (725-5075 psi), std setting 280 bar (4060 psi) @ 5 l/min (1.32 US gpm)

For other configurations please contact our Sales Dpt.

#### 1 Pressure setting spring

TYPE	CODE	DESCRIPTION
------	------	-------------

##### For 1:4 and zero differential pilot ratio

<b>3</b>	3ML1133201	For range 5-210 bar (72.5-3050 psi)
<b>5</b>	3ML1133200	For range 50-350 bar (725-5075 psi)

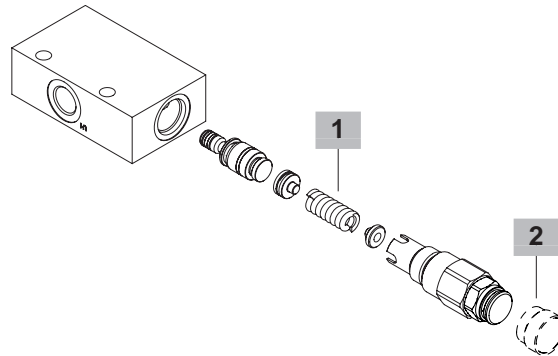
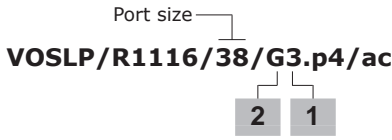
##### For 1:8 pilot ratio

<b>5</b>	3ML1133201	For range 5-350 bar (72.5-5075 psi)
----------	------------	-------------------------------------

#### 2 Setting type

TYPE	CODE	DESCRIPTION
<b>G</b>	-	Screw setting
<b>Z</b>	4COP120420	Antitampering cap

**Ordering codes and description composition**



**VOSLP/R1116 complete valves**

**Relief compensated (R) configuration with G3/8 thread**

*Pilot ratio 1:4*

TYPE: **VOSLP/R1116/38/G3.p4/ac** CODE: 1534422101  
DESCRIPTION: Steel body, range 5-210 bar (72.5-3050 psi), std setting 150 bar (2175 psi) @ 5 l/min (1.32 US gpm)

TYPE: **VOSLP/R1116/38/G5.p4/ac** CODE: 1534422100  
DESCRIPTION: Steel body, range 50-350 bar (725-5075 psi), std setting 280 bar (4060 psi) @ 5 l/min (1.32 US gpm)

*Pilot ratio 1:8*

TYPE: **VOSLP/R1116/38/G5.p8/ac** CODE: 1534422104  
DESCRIPTION: Steel body, range 5-350 bar (72.5-5075 psi), std setting 280 bar (4060 psi) @ 5 l/min (1.32 US gpm)

*Zero differential pilot ratio*

TYPE: **VOSLP/R1116/38/G3.p0/ac** CODE: 1534422106  
DESCRIPTION: Steel body, range 5-210 bar (72.5-3050 psi), std setting 150 bar (2175 psi) @ 5 l/min (1.32 US gpm)

TYPE: **VOSLP/R1116/38/G5.p0/ac** CODE: 1534422107  
DESCRIPTION: Steel body, range 50-350 bar (725-5075 psi), std setting 280 bar (4060 psi) @ 5 l/min (1.32 US gpm)

**Relief compensated (R) configuration with G3/8 thread and F1 flange**

TYPE: **VOSLP/R1116/38F1/G5.p4/ac** CODE: 1535622100  
DESCRIPTION: Steel body, pilot ratio 1:4, range 50-350 bar (725-5075 psi), std setting 280 bar (4060 psi) @ 5 l/min (1.32 US gpm)

TYPE: **VOSLP/R1116/38F1/G5.p8/ac** CODE: 1535622101  
DESCRIPTION: Steel body, pilot ratio 1:8, range 5-350 bar (72.5-5075 psi), std setting 280 bar (4060 psi) @ 5 l/min (1.32 US gpm)

TYPE: **VOSLP/R1116/38F1/G5.p0/ac** CODE: 1535622102  
DESCRIPTION: Steel body, zero differential pilot ratio, range 50-350 bar (725-5075 psi), std setting 280 bar (4060 psi) @ 5 l/min (1.32 US gpm)

**VOSLP/R1116 complete valves**

**Relief compensated (R) configuration with SAE8 thread**

*Pilot ratio 1:4*

TYPE: **VOSLP/R1116/S8/G3.p4/ac** CODE: 1534422200  
DESCRIPTION: Steel body, range 5-210 bar (72.5-3050 psi), std setting 150 bar (2175 psi) @ 5 l/min (1.32 US gpm)

TYPE: **VOSLP/R1116/S8/G5.p4/ac** CODE: 1534422201  
DESCRIPTION: Steel body, range 50-350 bar (725-5075 psi), std setting 280 bar (4060 psi) @ 5 l/min (1.32 US gpm)

*Pilot ratio 1:8*

TYPE: **VOSLP/R1116/S8/G5.p8/ac** CODE: 1534422204  
DESCRIPTION: Steel body, range 5-350 bar (72.5-5075 psi), std setting 280 bar (4060 psi) @ 5 l/min (1.32 US gpm)

*Zero differential pilot ratio*

TYPE: **VOSLP/R1116/S8/G3.p0/ac** CODE: 1534422206  
DESCRIPTION: Steel body, range 5-210 bar (72.5-3050 psi), std setting 150 bar (2175 psi) @ 5 l/min (1.32 US gpm)

TYPE: **VOSLP/R1116/S8/G5.p0/ac** CODE: 1534422207  
DESCRIPTION: Steel body, range 50-350 bar (725-5075 psi), std setting 280 bar (4060 psi) @ 5 l/min (1.32 US gpm)

**Relief compensated (R) configuration with SAE8 thread and F1 flange**

TYPE: **VOSLP/R1116/S8F1/G5.p4/ac** CODE: 1535622200  
DESCRIPTION: Steel body, pilot ratio 1:4, range 50-350 bar (725-5075 psi), std setting 280 bar (4060 psi) @ 5 l/min (1.32 US gpm)

TYPE: **VOSLP/R1116/S8F1/G5.p8/ac** CODE: 1535622201  
DESCRIPTION: Steel body, pilot ratio 1:8, range 5-350 bar (72.5-5075 psi), std setting 280 bar (4060 psi) @ 5 l/min (1.32 US gpm)

TYPE: **VOSLP/R1116/S8F1/G5.p0/ac** CODE: 1535522202  
DESCRIPTION: Steel body, zero differential pilot ratio, range 50-350 bar (725-5075 psi), std setting 280 bar (4060 psi) @ 5 l/min (1.32 US gpm)

**1 Pressure setting spring**

TYPE CODE DESCRIPTION

**For 1:4 and zero differential pilot ratio**

**3** 3ML1133201 For range 5-210 bar (72.5-3050 psi)  
**5** 3ML1133200 For range 50-350 bar (725-5075 psi)

**For 1:8 pilot ratio**

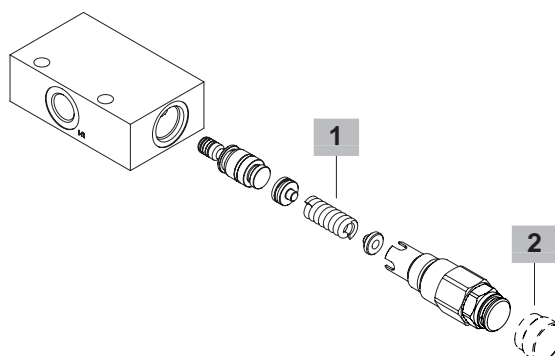
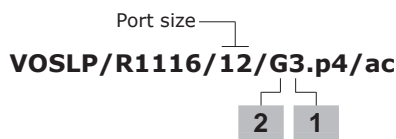
**5** 3ML1133201 For range 5-350 bar (72.5-5075 psi)

**2 Setting type**

TYPE CODE DESCRIPTION

**G** - Screw setting  
**Z** 4COP130200 Antitampering cap

### Ordering codes and description composition



#### VOSLP/R1116 complete valves

##### Relief compensated (R) configuration with G1/2 thread

TYPE: **VOSLP/R1116/12/G5.p4/ac** CODE: 1534432100  
DESCRIPTION: Steel body, pilot ratio 1:4, range 50-350 bar (725-5075 psi), std setting 280 bar (4060 psi) @ 5 l/min (1.32 US gpm)

TYPE: **VOSLP/R1116/12/G5.p8/ac** CODE: 1534432101  
DESCRIPTION: Steel body, pilot ratio 1:8, range 5-350 bar (72.5-5075 psi), std setting 280 bar (4060 psi) @ 5 l/min (1.32 US gpm)

TYPE: **VOSLP/R1116/12/G5.p0/ac** CODE: 1534432102  
DESCRIPTION: Steel body, zero differential pilot ratio, range 50-350 bar (725-5075 psi), std setting 280 bar (4060 psi) @ 5 l/min (1.32 US gpm)

##### Relief compensated (R) configuration with G1/2 thread and F1 flange

TYPE: **VOSLP/R1116/12F1/G5.p4/ac** CODE: 1535632100  
DESCRIPTION: Steel body, pilot ratio 1:4, range 50-350 bar (725-5075 psi), std setting 280 bar (4060 psi) @ 5 l/min (1.32 US gpm)

TYPE: **VOSLP/R1116/12F1/G5.p8/ac** CODE: 1535632101  
DESCRIPTION: Steel body, pilot ratio 1:8, range 5-350 bar (72.5-5075 psi), std setting 280 bar (4060 psi) @ 5 l/min (1.32 US gpm)

TYPE: **VOSLP/R1116/12F1/G5.p0/ac** CODE: 1535632102  
DESCRIPTION: Steel body, zero differential pilot ratio, range 50-350 bar (725-5075 psi), std setting 280 bar (4060 psi) @ 5 l/min (1.32 US gpm)

For other configurations please contact our Sales Dpt.

#### VOSLP/R1116 complete valves

##### Relief compensated (R) configuration with SAE10 thread

TYPE: **VOSLP/R1116/S10/G5.p4/ac** CODE: 1534432200  
DESCRIPTION: Steel body, pilot ratio 1:4, range 50-350 bar (725-5075 psi), std setting 280 bar (4060 psi) @ 5 l/min (1.32 US gpm)

TYPE: **VOSLP/R1116/S10/G5.p8/ac** CODE: 1534432201  
DESCRIPTION: Steel body, pilot ratio 1:8, range 5-350 bar (72.5-5075 psi), std setting 280 bar (4060 psi) @ 5 l/min (1.32 US gpm)

TYPE: **VOSLP/R1116/S10/G5.p0/ac** CODE: 1534432202  
DESCRIPTION: Steel body, zero differential pilot ratio, range 50-350 bar (725-5075 psi), std setting 280 bar (4060 psi) @ 5 l/min (1.32 US gpm)

##### Relief compensated (R) configuration with SAE10 thread and F1 flange

TYPE: **VOSLP/R1116/S10F1/G5.p4/ac** CODE: 1535632200  
DESCRIPTION: Steel body, pilot ratio 1:4, range 50-350 bar (725-5075 psi), std setting 280 bar (4060 psi) @ 5 l/min (1.32 US gpm)

TYPE: **VOSLP/R1116/S10F1/G5.p8/ac** CODE: 1535632201  
DESCRIPTION: Steel body, pilot ratio 1:8, range 5-350 bar (72.5-5075 psi), std setting 280 bar (4060 psi) @ 5 l/min (1.32 US gpm)

TYPE: **VOSLP/R1116/S10F1/G5.p0/ac** CODE: 1535632202  
DESCRIPTION: Steel body, zero differential pilot ratio, range 50-350 bar (725-5075 psi), std setting 280 bar (4060 psi) @ 5 l/min (1.32 US gpm)

For other configurations please contact our Sales Dpt.

#### 1 Pressure setting spring

TYPE	CODE	DESCRIPTION
<b>For 1:4 and zero differential pilot ratio</b>		
<b>3</b>	3ML1133201	For range 5-210 bar (72.5-3050 psi)
<b>5</b>	3ML1133200	For range 50-350 bar (725-5075 psi)
<b>For 1:8 pilot ratio</b>		
<b>5</b>	3ML1133201	For range 5-350 bar (72.5-5075 psi)

#### 2 Setting type

TYPE	CODE	DESCRIPTION
<b>G</b>	-	Screw setting
<b>Z</b>	4COP130200	Antitampering cap

VOSLP/(N-R) 1116 (38-12) pressure drop vs. flow  
from D1->U1 and U1->D1

