

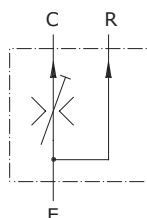
Type VPF/3/EP flow control pressure compensated valves

- 3 ways
- Exceeding flow to pressure
- Whit costant flow in "C"

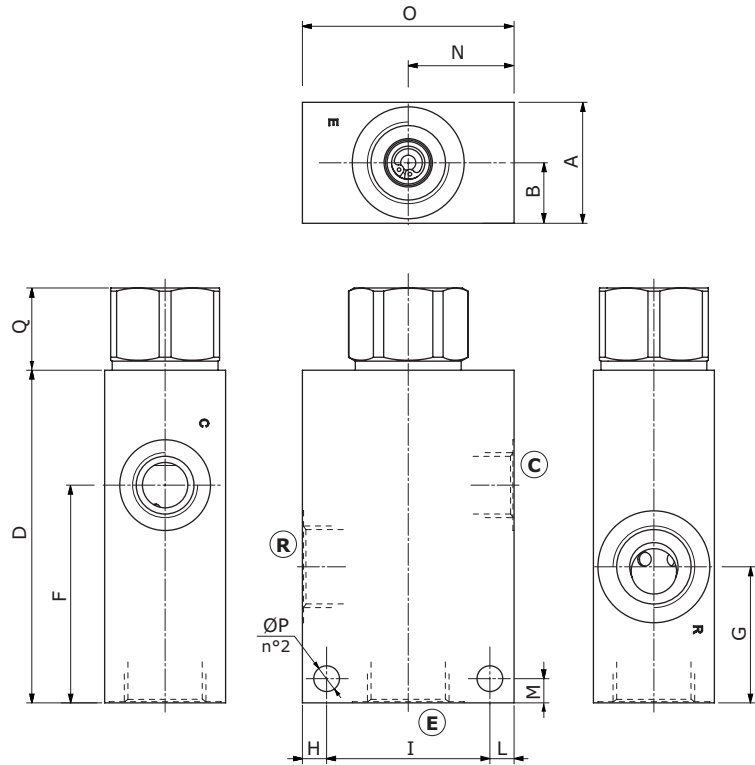
Technical specifications and diagrams are measured with mineral oil of 46 cSt viscosity at 40°C (104°F) temperature.

| | VPF/3/EP 38 | VPF/3/EP 12 | VPF/3/EP 34 | |
|---|---|-------------------------|-------------------------|-------------------|
| Nominal flow | 60 l/min (15.8 US gpm) | 100 l/min (26.4 US gpm) | 150 l/min (39.6 US gpm) | |
| Max. pressure | Aluminium body = 210 bar (3050 psi) Steel body = 350 bar (5100 psi) | | | |
| Fluid | mineral based oil | | | |
| Viscosity | from 10 to 200 cSt | | | |
| Max. level of contamination | 18/16/13 ISO4406 | | | |
| Fluid temperature | with NBR seals from -20°C (-4°F) to 80°C (176°F) with FPM seals from -20°C (-4°F) to 100°C (212°F) | | | |
| Environmental temperature for working conditions | from -40°C (-40°F) to 100°C (212°F) | | | |
| Weight | aluminium | 0.62 kg (1.37 lb) | 0.85 kg (1.87 lb) | 1.68 kg (3.70 lb) |
| | steel | 1.35 kg (2.98 lb) | 2.18 kg (4.81 lb) | 3.71 kg (8.18 lb) |

NOTE - For different conditions, please contact Walvoil Sales Dpt.



Dimensions



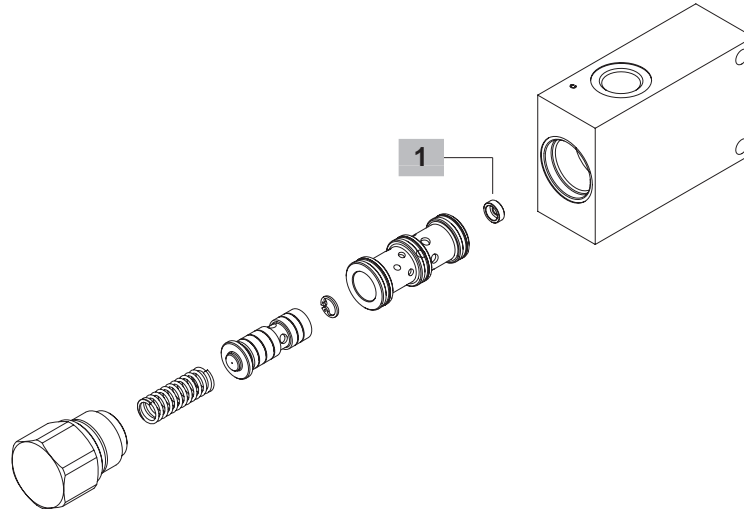
| Valve type | (E) | (R) | (C) |
|-------------|------|------|------|
| VPF/3/EP 38 | G1/2 | G3/8 | G3/8 |
| VPF/3/EP 12 | G3/4 | G3/4 | G1/2 |
| VPF/3/EP 34 | 1" | 1" | G3/4 |

Dimensions are in mm-in

| Valve type | A | B | D | F | G | H | I | L | M | N | O | ØP | Q |
|-------------|------------|--------------|-------------|------------|------------|------------|------------|-------------|-------------|------------|------------|---------------|--------------|
| VPF/3/EP 38 | 35 1.38 | 17.5 0.69 | 95 3.74 | 55 2.16 | 35 1.38 | 8 0.31 | 44 1.73 | 8 0.315 | 8 0.315 | 30 1.18 | 60 2.36 | 8.5 0.335 | 10 0.394 |
| VPF/3/EP 12 | 40 1.57 | 20 0.79 | 110 4.33 | 72 2.83 | 45 1.77 | 8 0.315 | 54 2.12 | 8 0.315 | 8 0.315 | 35 1.38 | 70 2.75 | 8.5 0.335 | 27.2 1.07 |
| VPF/3/EP 34 | 50 1.97 | 25 0.98 | 120 4.72 | 80 3.14 | 50 1.97 | 10 0.39 | 70 2.75 | 10 0.394 | 10 0.394 | 45 1.77 | 90 3.54 | 10.5 0.413 | 24.5 0.96 |

Ordering codes and description composition

Port size
VPF/3/EP 38/Ds1
1



VPF/3/EP complete valves

TYPE: **VPF/3/EP 38/Ds1** CODE: 1640021100
 DESCRIPTION: Aluminium body, G3/8 ports, fixed orifice Ø1 mm-0.039 in (Qc 1.2 l/min-0.31 US gpm)

TYPE: **VPF/3/EP 12/Ds2** CODE: 1640031102
 DESCRIPTION: Aluminium body, G1/2 ports, fixed orifice Ø2 mm-0.078 in (Qc 4 l/min-1.05 US gpm)

TYPE: **VPF/3/EP 34/Ds3** CODE: 1640041105
 DESCRIPTION: Aluminium body, G3/4 ports, fixed orifice Ø3 mm-0.12 in (Qc 11 l/min-2.9 US gpm)

TYPE: **VPF/3/EP 38/Ds2,5/ac** CODE: 1640022100
 DESCRIPTION: Steel body, G3/8 ports, fixed orifice Ø2.5 mm-0.14 in (Qc 7.5 l/min-1.98 US gpm)

TYPE: **VPF/3/EP 12/Ds3/ac** CODE: 1640032103
 DESCRIPTION: Steel body, G1/2 ports, fixed orifice Ø3 mm-0.12 in (Qc 11 l/min-2.9 US gpm)

TYPE: **VPF/3/EP 34/Ds4/ac** CODE: 1640042100
 DESCRIPTION: Steel body, G3/4 ports, fixed orifice Ø4 mm-0.16 in (Qc 20.5 l/min-5.41 US gpm)

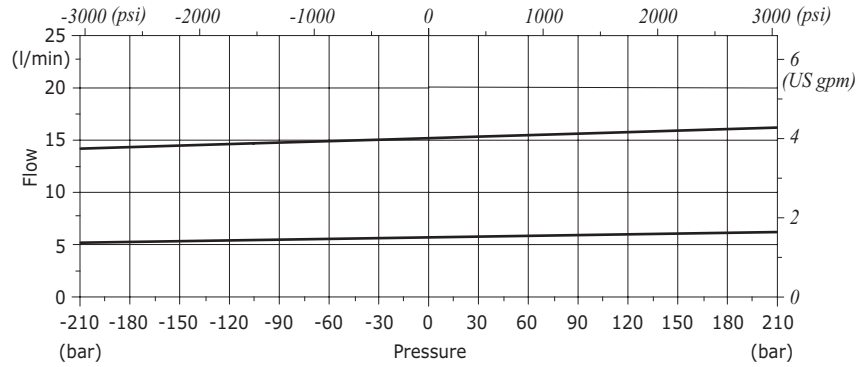
For other steel body configurations, SAE thread and configurations with FPM (Viton) seals, please contact our Sales Dpt.

1 Fixed orifice

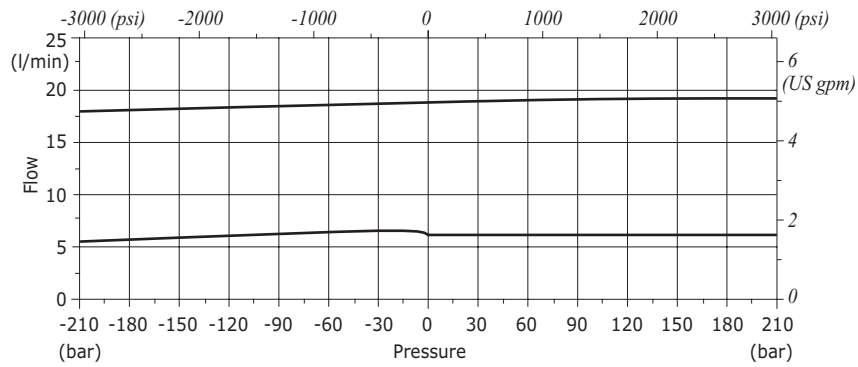
| TYPE | CODE | DESCRIPTION |
|------------------------------|------------|---|
| For VPF/3/EP 38 valve | | |
| Ds1 | 3DF1091000 | Ø1 mm-0.039 in (Qc 1.2 l/min-0.31 US gpm) |
| Ds1,5 | 3DF1091500 | Ø1.5 mm-0.059 in (Qc 2.8 l/min-0.73 US gpm) |
| Ds2 | 3DF1092000 | Ø2 mm-0.079 in (Qc 5 l/min-1.32 US gpm) |
| Ds2,5 | 3DF1092500 | Ø2.5 mm-0.098 in (Qc 7.5 l/min-1.98 US gpm) |
| Ds2,8 | 3DF1092800 | Ø2.8 mm-0.11 in (Qc 9.5 l/min-2.5 US gpm) |
| Ds3 | 3DF1093000 | Ø3 mm-0.12 in (Qc 11 l/min-2.9 US gpm) |
| Ds3,5 | 3DF1093500 | Ø3.5 mm-0.14 in (Qc 16 l/min-4.2 US gpm) |
| Ds3,8 | 3DF1093800 | Ø3.8 mm-0.15 in (Qc 20 l/min-5.9 US gpm) |
| Ds4 | 3DF1094000 | Ø4 mm-0.16 in (Qc 23 l/min-6 US gpm) |
| For VPF/3/EP 12 valve | | |
| Ds1 | 3DF1111000 | Ø1 mm-0.039 in (Qc 1.1 l/min-0.29 US gpm) |
| Ds1,5 | 3DF1111500 | Ø1.5 mm-0.059 in (Qc 2.5 l/min-0.66 US gpm) |
| Ds2 | 3DF1112000 | Ø2 mm-0.079 in (Qc 4 l/min-1.05 US gpm) |
| Ds2,5 | 3DF1112500 | Ø2.5 mm-0.098 in (Qc 6.5 l/min-1.72 US gpm) |
| Ds2,8 | 3DF1112800 | Ø2.8 mm-0.11 in (Qc 8 l/min-2.1 US gpm) |
| Ds3 | 3DF1113000 | Ø3 mm-0.12 in (Qc 9.5 l/min-2.5 US gpm) |
| Ds3,5 | 3DF1113500 | Ø3.5 mm-0.14 in (Qc 13 l/min-3.43 US gpm) |
| Ds3,8 | 3DF1113800 | Ø3.8 mm-0.15 in (Qc 16 l/min-4.22 US gpm) |
| Ds4 | 3DF1114000 | Ø4 mm-0.16 in (Qc 18 l/min-4.75 US gpm) |
| Ds4,5 | 3DF1114500 | Ø4.5 mm-0.18 in (Qc 25 l/min-6.6 US gpm) |
| Ds5 | 3DF1115000 | Ø5 mm-0.2 in (Qc 32 l/min-8.45 US gpm) |
| Ds5,5 | 3DF1115000 | Ø5.5 mm-1.2 in (Qc 41 l/min-10.83 US gpm) |
| For VPF/3/EP 34 valve | | |
| Ds1 | 3DF1151000 | Ø1 mm-0.039 in (Qc 1.3 l/min-0.34 US gpm) |
| Ds1,5 | 3DF1151500 | Ø1.5 mm-0.059 in (Qc 3 l/min-0.4 US gpm) |
| Ds2 | 3DF1152000 | Ø2 mm-0.079 in (Qc 5 l/min-1.32 US gpm) |
| Ds2,5 | 3DF1152500 | Ø2.5 mm-0.14 in (Qc 7.5 l/min-1.98 US gpm) |
| Ds3 | 3DF1153000 | Ø3 mm-0.15 in (Qc 11 l/min-2.9 US gpm) |
| Ds3,5 | 3DF1153500 | Ø3.5 mm-0.15 in (Qc 15 l/min-3.96 US gpm) |
| Ds4 | 3DF1154000 | Ø4 mm-0.16 in (Qc 20.5 l/min-5.41 US gpm) |
| Ds4,5 | 3DF1154500 | Ø4.5 mm-0.18 in (Qc 26.5 l/min-7 US gpm) |
| Ds5 | 3DF1155000 | Ø5 mm-0.2 in (Qc 33 l/min-8.72 US gpm) |
| Ds5,5 | 3DF1155500 | Ø5.5 mm-1.2 in (Qc 42 l/min-11.09 US gpm) |
| Ds6 | 3DF1156000 | Ø6 mm-0.18 in (Qc 52 l/min-13.74 US gpm) |
| Ds6,5 | 3DF1156500 | Ø6.5 mm-0.2 in (Qc 63 l/min-16.64 US gpm) |
| Ds7 | 3DF1157000 | Ø7 mm-1.2 in (Qc 77 l/min-20.34 US gpm) |

Rating diagrams

VPF/3/EP 38 compensation diagram in C
changing the Δp between E and R



VPF/3/EP 12 compensation diagram in C
changing the Δp between E and R



VPF/3/EP 34 compensation diagram in C
changing the Δp between E and R

