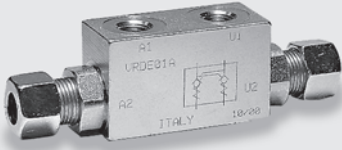




Type VRDE..A pilot operated check valves

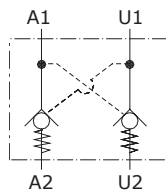


- Double acting
- DIN 2353

Technical specifications and diagrams are measured with mineral oil ISO VG32 at 50°C (122°F) temperature.

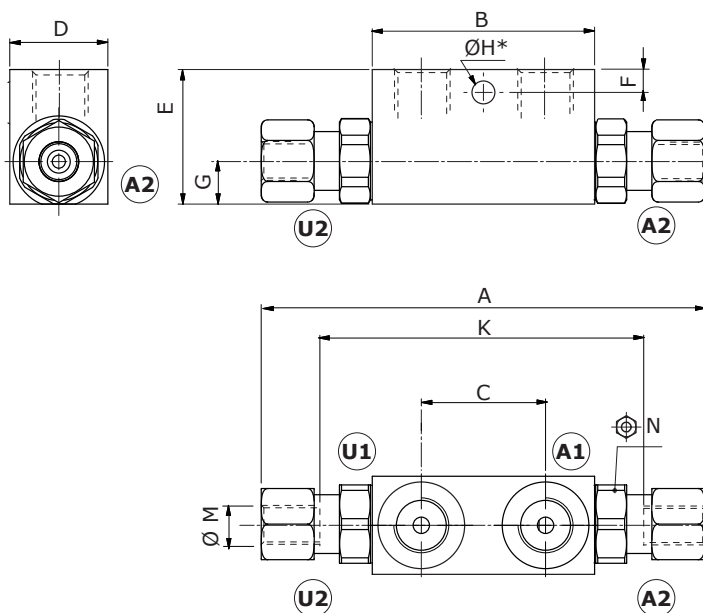
	VRDE01A	VRDE015A	VRDE02A	VRDE025A	VRDE03A	
Nominal flow	30 l/min (7.92 US gpm)	30 l/min (7.92 US gpm)	50 l/min (13.2 US gpm)	50 l/min (13.2 US gpm)	80 l/min (21.1 US gpm)	
Max. pressure	350 bar (5100 psi)		300 bar (4350 psi)			
Oil leakage	0.25 cm ³ /min (0.015 in ³ /min) at 210 bar (3050 psi)					
Fluid	mineral based oil					
Viscosity	10-200 cSt					
Max. level of contamination	18/16/13 ISO4406					
Fluid temperature	with NBR seals from -20°C (-4°F) to 80°C (176°F)					
Environmental temp. for working conditions	-40°C (-40°F) to 100°C (212°F)					
Weight	steel	0.67 kg (1.48 lb)	0.66 kg (1.45 lb)	0.97 kg (2.14 lb)	0.91 kg (2.01 lb)	1.67 kg (3.68 lb)

NOTE - For different conditions, please contact Walvoil Sales Dpt.



Dimension

Valve type	All ports
VRDE01A	G1/4
VRDE015A	G3/8
VRDE02A	G3/8
VRDE025A	G1/2
VRDE03A	G1/2



* On request, please contact Walvoil Sales Dpt.

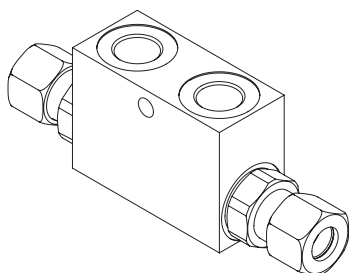
Dimensions are in mm-in

Valve type	A	B max.	C	D	E	F	G	H*	ØI	ØL	ØM	K
VRDE01A	138-5.43	68-2.68	38-1.50	30-1.18	40-1.57	7-0.27	13-0.51	7-0.27	24	22	12-0.47	86-3.38
VRDE 015A	138-5.43	68-2.68	38-1.50	30-1.18	40-1.57	7-0.27	13-0.51	7-0.27	24	22	12-0.47	86-3.38
VRDE02A	166-6.53	80-3.15	40-1.57	30-1.18	50-1.97	15-0.59	16-0.63	8.5-0.33	27	27	15-0.59	108-4.25
VRDE025A	166-6.53	80-3.15	40-1.57	30-1.18	50-1.97	15-0.59	16-0.63	8.5-0.33	27	27	15-0.59	108-4.25
VRDE03A	180-7.09	90-3.54	40-1.57	40-1.57	60-2.36	15-0.59	20-0.79	8.5-0.33	30	32	18-0.71	133-5.24

NOTE - * On request, please contact Walvoil Sales Dpt.

Ordering codes and description composition

Port size
VRDE 02 A

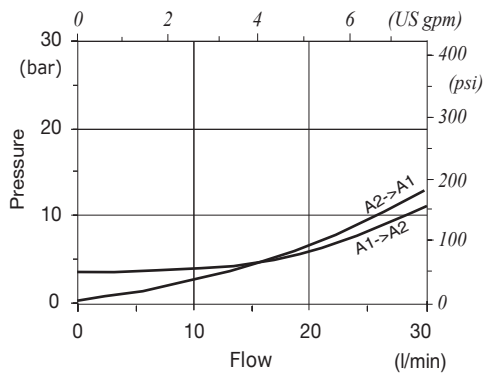


VRDE A complete valves

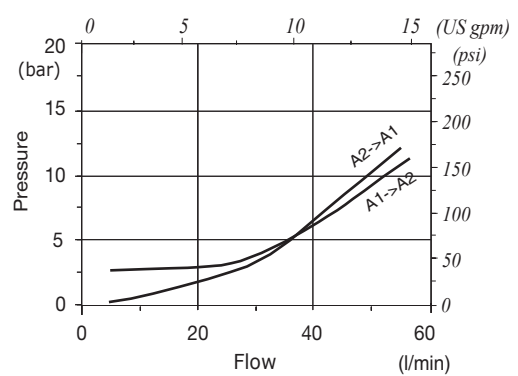
TYPE	CODE	DESCRIPTION
VRDE01A	1420212100	Steel body, G1/4 port, pilot ratio 1:4.5, opening pressure 4 bar (58 psi)
VRDE015A	1420222100	Steel body, G3/8 port, pilot ratio 1:4.5, opening pressure 4 bar (58 psi)
VRDE02A	1420222101	Steel body, G3/8 port, pilot ratio 1:4, opening pressure 4 bar (58 psi)
VRDE025A	1420232100	Steel body, G1/2 port, pilot ratio 1:4, opening pressure 4 bar (58 psi)
VRDE03A	1420232101	Steel body, G1/2 port, pilot ratio 1:4, opening pressure 4 bar (58 psi)

For different configurations or SAE threads please contact our Sales Dpt.

VRDE01A pressure drop vs. flow



VRDE02A pressure drop vs. flow



VRDE03A pressure drop vs. flow

