



170 SERIES WEB

HIGH PRESSURE
PUSH PULL



TECHNICAL FEATURES

Advantage:	Designed for high pressure applications; rescue equipment, elevators...	
Operating pressure:	Up to 700 Bar	Available Size: 1/4"
Materials:	Body:	Carbon Steel EN -10277-3
	O-ring:	NBR (90 Shores)
	Back-up-ring:	PTFE
	Springs:	EN 10270-1/SH
	Balls:	AISI 1010/1015
Available Threads:	ISO 8431-1*	
Closing System:	Poppet	
Connection / Disconnection :	Push Pull	
Connection Under Pressure:	Not allowed	

Working Temperature (O-ring)

	NBR	Viton	EPDM
+	+100°C	+200°C	+150°C
-	-30°C	-10°C	-40°C

Sector: Industrial



Applications: Designed for Hydraulic Oil

Interchange: WEBER

**Other upon request*

MODEL STRUCTURE

Example:

170.11111 BE

Series	Material	Part	Closing	O-Ring	Size	Thread
170.	1 Carbon St..	1 Male 2 Female	1 Poppet	0 Without 1 NBR	1 6.3 : 1/4"	2 letters (see Table of Threads page 999-1)

170-1

INTEVA reserves the right to make modifications to its products without prior notice. Any external or internal alterations to our products will automatically void the warranty.



v9

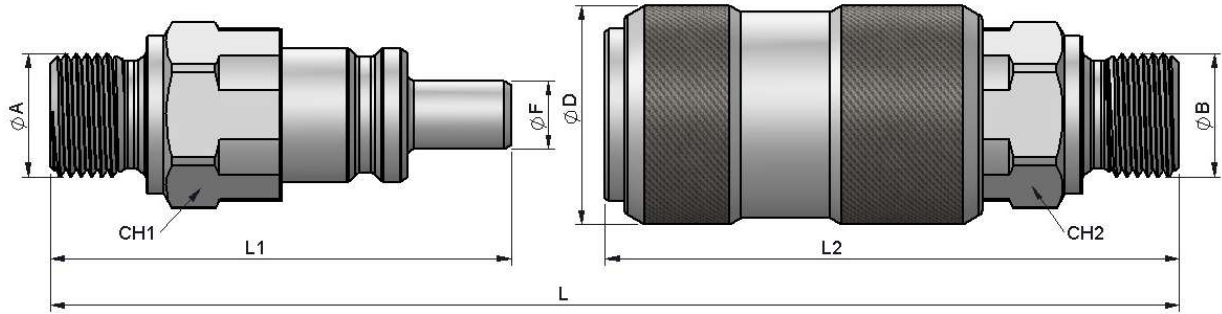


170 SERIES WEB

HIGH PRESSURE
PUSH PULL



DN6.3



STANDARD MALE MODELS

DN	$\varnothing A$	REF.		CH1	L1	$\varnothing F$	L
6.3	M18x1.5	170.11111KE	700	24	67	9.9	118

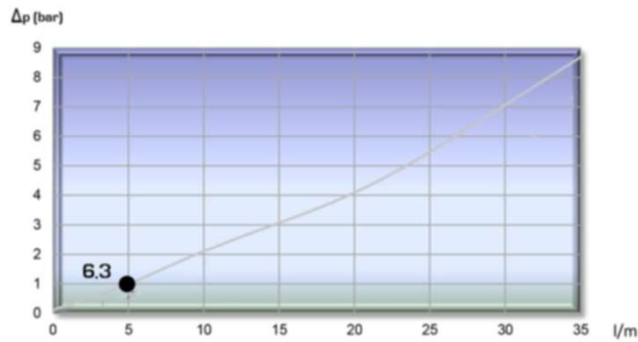
STANDARD FEMALE MODELS

DN	$\varnothing B$	REF.		CH2	L2	$\varnothing D$	L
6.3	M18x1.5	170.12111KE	700	24	83	31.8	118

TECHNICAL DATA

DN	Rated Flow l/m	Min Burst Pressure (bar)			Working Pressure Bar	Cycles
		Male	Female	Connected		
6.3	5 l/m	2600	2300	2600	700 Bar	100.000

Test performed according to ISO 18869



170-2

INTEVA reserves the right to make modifications to its products without prior notice. Any external or internal alterations to our products will automatically void the warranty.



v9



170 SERIES WEB CAPS




Designed to protect Female (coupler) and Male (nipple) parts while they are disconnected.

MODEL STRUCTURE & DIMENSIONS

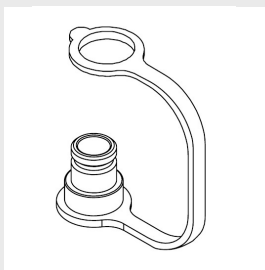
Example:

170.5311 AA

Series	Material	Part	Colour	Size	Type
170.	5 Plastic	3 Female Cap 4 Male Cap	1 Red	1 6.3 : 1/4"	AA



FEMALE CAP						
DN	RED	BLUE	YELLOW	GREEN	BLACK	WHITE
6.3	170.5311AA	*	*	*	*	*



MALE CAP						
DN	RED	BLUE	YELLOW	GREEN	BLACK	WHITE
6.3	170.5411AA	*	*	*	*	*

* Other colors available on request (Minimum 1000 units).