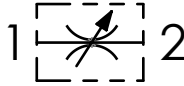




Schema idraulico - Hydraulic circuit

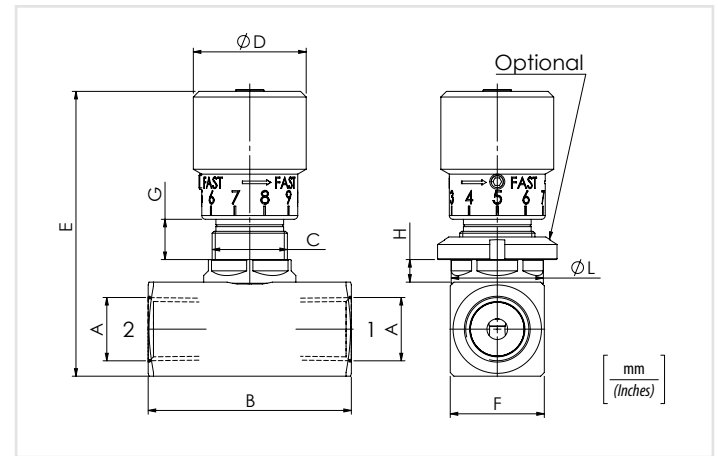


Codice ordinazione Ordering code	01	02	03
	<b>STBF</b>		<b>N</b>

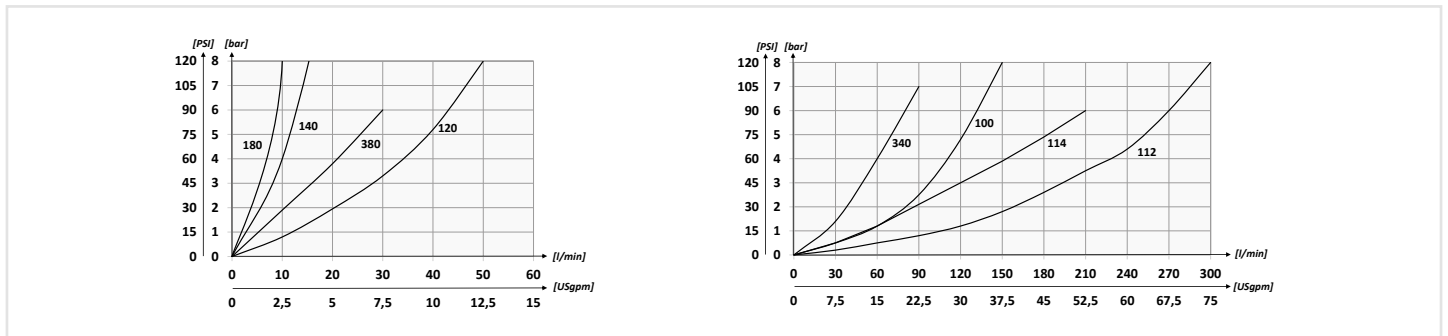
<b>01</b>	Valvole di controllo flusso bidirezionali (Bidirectional flow control valves)	<b>STBF</b>	
<b>02</b>	Dimensione (Size)	NPTF 1/8	<b>180</b>
		NPTF 1/4	<b>140</b>
		NPTF 3/8	<b>380</b>
		NPTF 1/2	<b>120</b>
		NPTF 3/4	<b>340</b>
		NPTF 1	<b>100</b>
		NPTF 1-1/4	<b>114</b>
		NPTF 1-1/2	<b>112</b>
<b>03</b>	Fillettatura (Thread)	NPTF	<b>N</b>

Dati tecnici - Technical data

Olio idraulico/Mineral oil	ISO 6743/4 (DIN 51524)		
Viscosità olio/Oil viscosity	15-250 mm <sup>2</sup> /s (15 to 250 cSt)		
Classe di contaminazione max con filtro Max contamination index with filter	ISO 4406:1999 Classe 19/17/14		
Temperatura dell'olio/Oil temperature	-20°C +80°C	-4°F + 176°F	
Temperatura ambiente/Ambient temperature	-20°C +50°C	-4°F + 122°F	
È indispensabile l'utilizzo di un filtro per proteggere la valvola (filtrazione consigliata 15 µm) It is necessary a filter use to protect the valve (advised filtration 15 µm)			



Performances



Caratteristiche tecniche - Technical characteristics

Tipo Type	A	Portata max (l/min) Max flow (USgpm)	Pressione max (bar) Max pressure (PSI)	B	C	D	E	F	G	H	L	Optional Type	Peso approssimativo (kg) Approx weight (lb)
<b>STBF180N</b>	NPTF 1/8	10 (2.6)	<b>400 (5800)</b>	<b>44 (1.73)</b>	<b>M15x1</b>	<b>20 (0.79)</b>	<b>60,5 (2.38)</b>	<b>20 (0.79)</b>	<b>8 (0.31)</b>	<b>5,5 (0.22)</b>	<b>19,5 (0.77)</b>	<b>84100031</b>	<b>0,16 (0.36)</b>
<b>STBF140N</b>	NPTF 1/4	15 (4)		<b>54 (2.13)</b>	<b>M20x1</b>	<b>30 (1.18)</b>	<b>75 (2.95)</b>	<b>25 (0.98)</b>	<b>7,5 (0.30)</b>	<b>6 (0.24)</b>	<b>24,5 (0.96)</b>	<b>84100022</b>	<b>0,34 (0.75)</b>
<b>STBF380N</b>	NPTF 3/8	30 (7.9)		<b>64 (2.52)</b>	<b>M25x1,5</b>	<b>33 (1.30)</b>	<b>81 (3.19)</b>	<b>30 (1.18)</b>	<b>9 (0.35)</b>	<b>7 (0.28)</b>	<b>29,5 (1.16)</b>	<b>84100023</b>	<b>0,32 (0.71)</b>
<b>STBF120N</b>	NPTF 1/2	50 (13.2)		<b>81 (3.19)</b>	<b>M35x1,5</b>	<b>42 (1.65)</b>	<b>110 (4.33)</b>	<b>40 (1.57)</b>	<b>15,5 (0.61)</b>	<b>8 (0.31)</b>	<b>39,5 (1.55)</b>	<b>84100024</b>	<b>0,50 (1.1)</b>
<b>STBF340N</b>	NPTF 3/4	80 (21.1)		<b>350 (5075)</b>	<b>102 (4.01)</b>	<b>M45x1,5</b>	<b>115 (4.53)</b>	<b>45 (1.77)</b>	<b>11,5 (0.45)</b>	<b>8 (0.31)</b>	<b>50 (1.96)</b>	<b>84100030</b>	<b>1,15 (2.53)</b>
<b>STBF100N</b>	NPTF 1	150 (39.6)					<b>137 (5.39)</b>	<b>55 (2.17)</b>	<b>13,5 (0.53)</b>	<b>10 (0.39)</b>	<b>50 (1.96)</b>	<b>84100030</b>	<b>1,49 (3.30)</b>
<b>STBF114N</b>	NPTF 1-1/4	200 (52.8)					<b>147 (5.78)</b>	<b>65 (2.56)</b>	<b>13,5 (0.53)</b>	<b>10 (0.39)</b>	<b>50 (1.96)</b>	<b>84100030</b>	<b>2,54 (5.6)</b>
<b>STBF112N</b>	NPTF 1-1/2	300 (79.2)							<b>65 (2.56)</b>			<b>84100030</b>	<b>3,17 (7)</b>