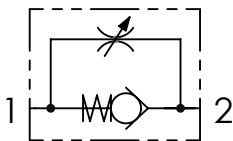


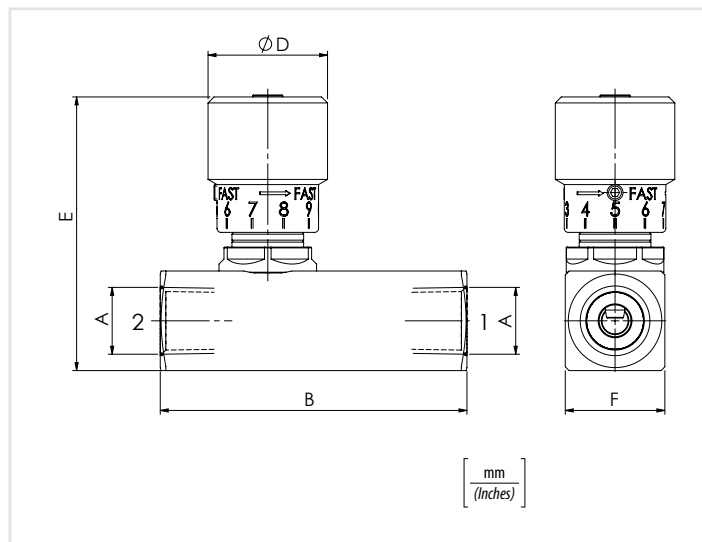


Schema idraulico - Hydraulic circuit



### Dati tecnici - Technical data

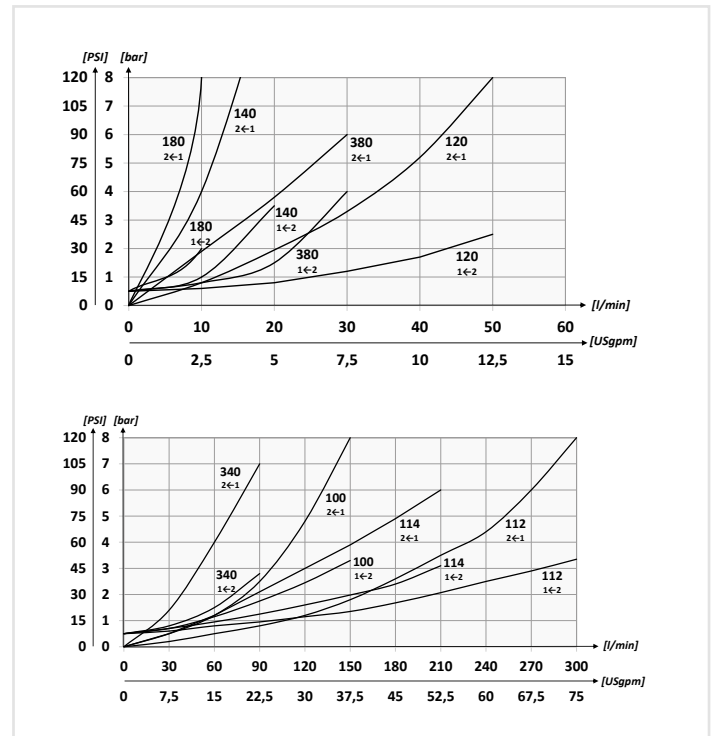
Olio idraulico/Mineral oil	ISO 6743/4 (DIN 51524)
Viscosità olio/Oil viscosity	15-250 mm <sup>2</sup> /s (15 to 250 cSt)
Classe di contaminazione max con filtro Max contamination index with filter	ISO 4406:1999 Classe 19/17/14
Temperatura dell'olio/Oil temperature	-20°C +80°C      -4°F + 176°F
Temperatura ambiente/Ambient temperature	-20°C +50°C      -4°F + 122°F
È indispensabile l'utilizzo di un filtro per proteggere la valvola (filtrazione consigliata 15 µm) It is necessary a filter use to protect the valve (advised filtration 15 µm)	



Codice ordinazione Ordering code	01	02	03
	<b>STU</b>		<b>N</b>

<b>01</b>	Valvole di controllo flusso unidirezionali (Unidirectional flow control valves)	<b>STU</b>	
<b>02</b>	Dimensione (Size)	NPTF 1/8	<b>180</b>
		NPTF 1/4	<b>140</b>
		NPTF 3/8	<b>380</b>
		NPTF 1/2	<b>120</b>
		NPTF 3/4	<b>340</b>
		NPTF 1	<b>100</b>
		NPTF 1-1/4	<b>114</b>
	NPTF 1-1/2	<b>112</b>	
<b>03</b>	Filettatura (Thread)	NPTF	<b>N</b>

### Performances



### Caratteristiche tecniche - Technical characteristics

Tipo Type	A	Portata max (l/min) Max flow (USgpm)	Pressione max (bar) Max pressure (PSI)	B	D	E	F	Peso approssimativo Approx weight kg/lb
<b>STU180N</b>	<b>NPTF 1/8</b>	<b>10 (2.6)</b>	<b>400 (5800)</b>	<b>58 (2.28)</b>	<b>20 (0.79)</b>	<b>53 (2.08)</b>	<b>20 (0.79)</b>	<b>0,19 (0.42)</b>
<b>STU140N</b>	<b>NPTF 1/4</b>	<b>15 (4)</b>		<b>66 (2.60)</b>	<b>30 (1.18)</b>	<b>68 (2.68)</b>	<b>25 (0.98)</b>	<b>0,37 (0.75)</b>
<b>STU380N</b>	<b>NPTF 3/8</b>	<b>30 (7.9)</b>		<b>77 (3.03)</b>	<b>33 (1.30)</b>	<b>72 (2.83)</b>	<b>30 (1.18)</b>	<b>0,40 (0.9)</b>
<b>STU120N</b>	<b>NPTF 1/2</b>	<b>50 (13.2)</b>		<b>91 (3.58)</b>	<b>42 (1.65)</b>	<b>99 (3.90)</b>	<b>45 (1.77)</b>	<b>1,9 (4.2)</b>
<b>STU340N</b>	<b>NPTF 3/4</b>	<b>80 (21.1)</b>		<b>112,5 (4.43)</b>	<b>53 (2.09)</b>	<b>121,5 (4.78)</b>	<b>55 (2.17)</b>	<b>3,06 (6.73)</b>
<b>STU100N</b>	<b>NPTF 1</b>	<b>150 (39.6)</b>		<b>141 (5.55)</b>		<b>131,5 (5.17)</b>	<b>65 (2.56)</b>	<b>4,5 (10)</b>
<b>STU114N</b>	<b>NPTF 1-1/4</b>	<b>200 (52.8)</b>	<b>350 (5075)</b>	<b>155 (6.10)</b>				
<b>STU112N</b>	<b>NPTF 1-1/2</b>	<b>300 (79.2)</b>		<b>168 (6.61)</b>				