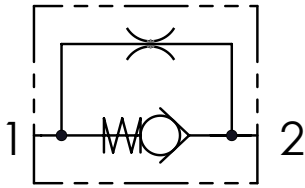
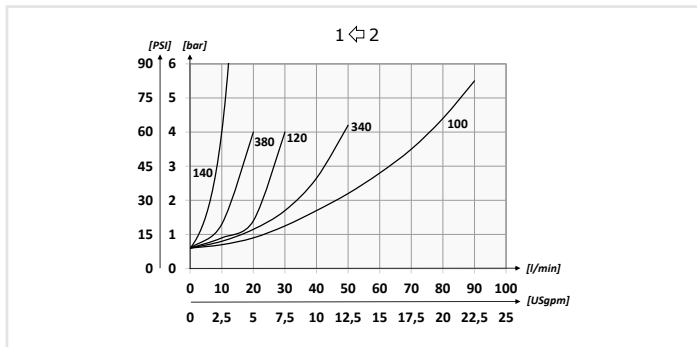




Schema idraulico - Hydraulic circuit



Performances



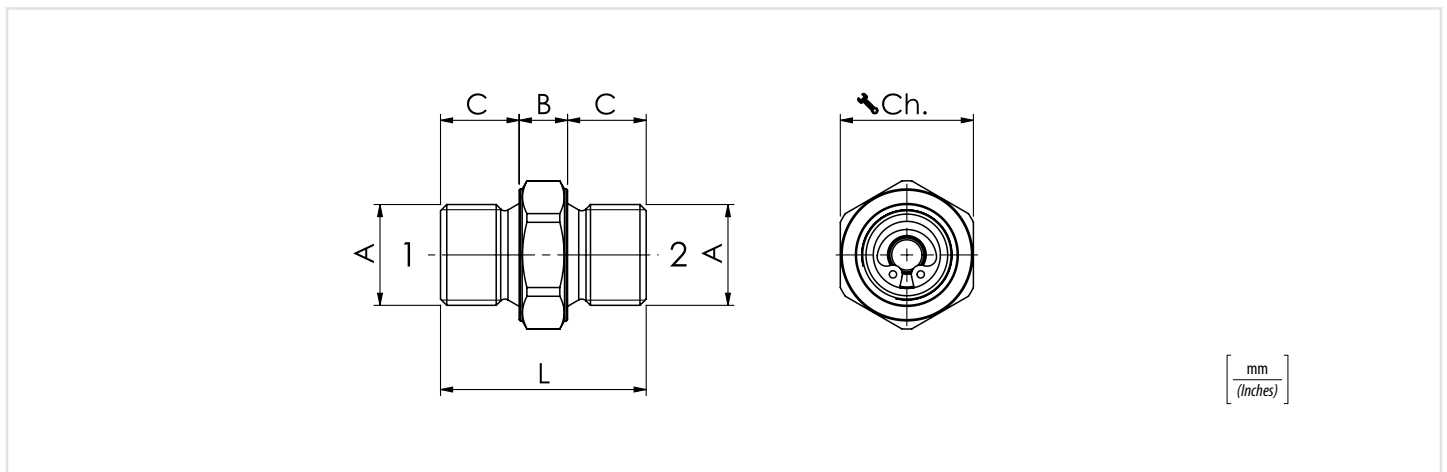
Codice ordinazione  
Ordering code

01	02	03	04	05
<b>VUN</b>		<b>SP</b>		

<b>01</b>	Valvole unidirezionali M/M con foro di strozzatura (M/M check valves with restriction hole)	<b>VUN</b>
<b>02</b>	Dimensione (Size)	BSPP 1/4 <b>140</b>
		BSPP 3/8 <b>380</b>
		BSPP 1/2 <b>120</b>
		BSPP 3/4 <b>340</b>
		BSPP 1 <b>100</b>
<b>03</b>	Tenuta (Sealing)	<b>Tenuta a cono (Poppet sealing) SP</b>
<b>04</b>	Molla (Spring)	<b>1 bar Standard (14.5 PSI) 1</b>
		<b>3 bar (43.5 PSI) 3</b>
		<b>4,5 bar (65.25 PSI) 4,5</b>
		<b>6 bar (87 PSI) 6</b>
<b>05</b>	Foro di strozzatura (Restriction hole)	Indicare il diametro del foro. Esempio: VUN380SP1 con foro Ø 1,5 mm Cod. VUN380SP1-1,5 State the hole diameter Example: VUN380SP1-1,5 with Ø 0,06 in hole Cod. VUN380SP1-1,5

Dati tecnici - Technical data

<b>Olio idraulico/Mineral oil</b>	<b>ISO 6743/4 (DIN 51524)</b>
<b>Viscosità olio/Oil viscosity</b>	<b>15-250 mm<sup>2</sup>/s (15 to 250 cSt)</b>
<b>Classe di contaminazione max con filtro</b> Max contamination index with filter	<b>ISO 4406:1999 Classe 19/17/14</b>
<b>Temperatura dell'olio/Oil temperature</b>	<b>-20°C +80°C -4°F +176°F</b>
<b>Temperatura ambiente/Ambient temperature</b>	<b>-20°C +50°C -4°F +122°F</b>
<b>È indispensabile l'utilizzo di un filtro per proteggere la valvola (filtrazione consigliata 15 µm)</b> It is necessary a filter use to protect the valve (advised filtration 15 µm)	
<b>Trafilamento massimo</b> Max leakage	<b>0,25 cm<sup>3</sup>/min - 5 gocce/min</b> <b>0,015 in<sup>3</sup>/min - 5 drops/min</b>



Caratteristiche tecniche - Technical characteristics

Codice Code	A	Portata max (l/min) Max flow (USgpm)	Pressione max (bar) Max pressure (PSI)	L	B	C	Ch.	Peso approssimativo (kg) Approx weight (lb)
<b>VUN140-H</b>	<b>BSPP 1/4</b>	<b>5 (1.3)</b>	<b>500 (7250)</b>	<b>29 (0.28)</b>	<b>7 (1.27)</b>	<b>11 (0.43)</b>	<b>19</b>	<b>0,03 (0.066)</b>
<b>VUN380-H</b>	<b>BSPP 3/8</b>	<b>15 (4)</b>		<b>34 (1.34)</b>	<b>8 (0.31)</b>	<b>13 (0.51)</b>	<b>22</b>	<b>0,05 (0.01)</b>
<b>VUN120-H</b>	<b>BSPP 1/2</b>	<b>30 (7.9)</b>		<b>44 (1.73)</b>	<b>16 (0.63)</b>	<b>14 (0.55)</b>	<b>27</b>	<b>0,11 (0.24)</b>
<b>VUN340-H</b>	<b>BSPP 3/4</b>	<b>50 (13.2)</b>		<b>50 (1.97)</b>	<b>16 (0.63)</b>	<b>17 (0.67)</b>	<b>32</b>	<b>0,18 (0.40)</b>
<b>VUN100-H</b>	<b>BSPP 1</b>	<b>90 (23.8)</b>		<b>57 (2.24)</b>	<b>19 (0.75)</b>	<b>19 (0.75)</b>	<b>41</b>	<b>0,32 (0.71)</b>